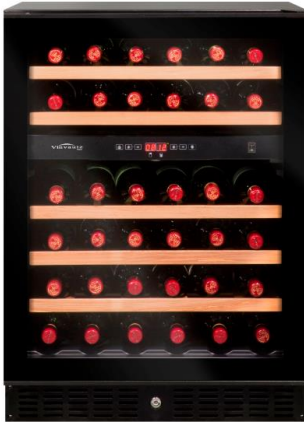


## VZ45BDBU

## 45 BOTTLES DUAL ZONE WINE CELLAR

### 45 支雙溫區酒櫃



- Dual temperature zone with digital display and touchpad input  
雙溫區設計及輕觸式電子顯示控制
- Built-under or Free-standing installation  
嵌入式安裝或獨立式擺放均可
- Unique heated glass technology for anti-condensation  
獨有玻璃門的防凝霧技術，能清楚展示收藏的美酒
- Temperature Range: 5° to 20°C  
溫度設置範圍由5度°至 20°度
- Sleek Anti-UV black glass design (Triple-layer glass)  
型格全玻璃設計，防紫外線灰黑玻璃門 (三層玻璃)
- Fine beech wood shelves  
樺木層架令震動減至最低
- White LED Lighting with showcase or function mode  
內置白色LED燈，可選不同燈光開關模式
- Security lock system with keys with door alarm  
安全鎖連開關鑰匙及關門提示
- Anti-Vibration Compressor, low noise level during operation  
防震壓縮機系統，運作寧靜
- Environmentally-friendly refrigerant (R600a)  
環保雪種 (R600a)
- Optional black handle installation on side  
可選擇黑色安裝手柄於門側

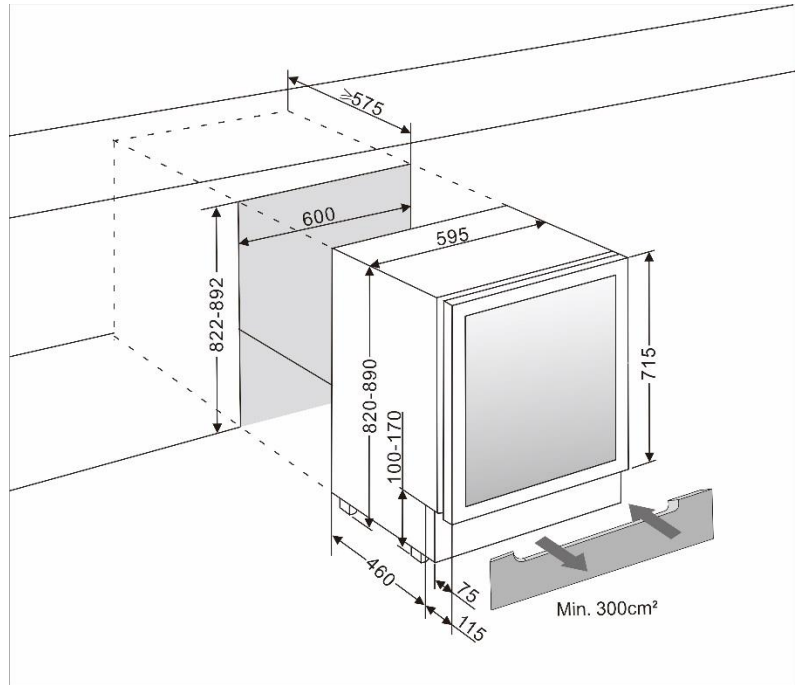
**Left-hinged model:  
VZ45BDBU-L**

盛載數量 (樽) / No. of Bottles Stored	<b>45 (Total) 15 (Upper zone) , 30 (Lower zone)</b>
容量 (公升) / Capacity (Liters)	<b>125</b>
木架 / Wooden Shelves	<b>Fine beech wood 樺木</b>
溫度範圍 / Temperature range	<b>上及下儲酒區 Upper &amp; Lower zone: 5°C - 20°C (可調校 adjustable)</b>
操作環境溫度 / Climate Classification	<b>10°C - 32°C</b>
功率及電壓 / Power & Voltage	<b>160W 220 – 240V~ 50 Hz</b>
產品尺寸 (毫米) / Product Dimensions (mm)	<b>820 (高H) x 595 (闊W) x 575 (深D) Depth include handle 包括手柄 - 620 (深D)</b>
產品重量 (公斤) / Product Weight (kg)	<b>淨重 Net Weight - 49 kg</b>
條碼 / Barcode	<b>4895033369158 / 4895033369165 (Left Hinged)</b>

Capacity is based on Bordeaux type bottles 0.75 liter and subject to the number of shelves and display pattern.  
容量以波爾多種類0.75公升的酒瓶為準，並因應層架數目及擺放方法而異。

Specifications may change due to product improvement. No prior notice will be given.  
上述規格可能因產品改良而作出修改，恕不另行通知。

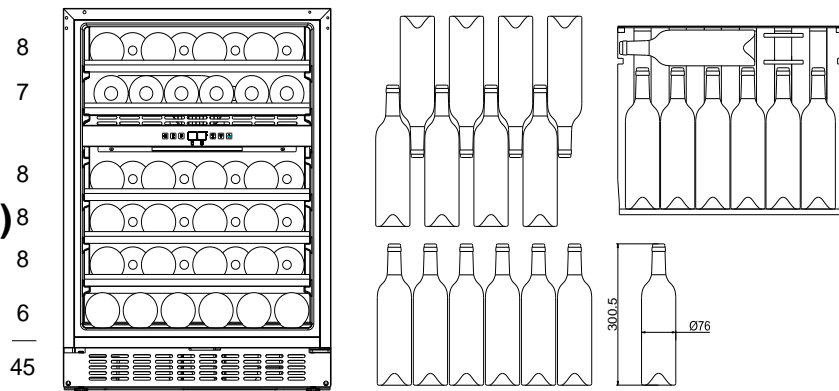
## Installation Diagram 安裝尺寸圖 (mm / 毫米)



## Wine bottle loading instruction

### 酒瓶存放指示圖

(Based on 750ml standard Bordeaux wine bottles  
以750ml 標準波爾多酒瓶計算)



Capacity is based on Bordeaux type bottles 0.75 liter and subject to the number of shelves and display pattern.  
容量以波爾多種類0.75公升的酒瓶為準，並因應層架數目及擺放方法而異。

Specifications may change due to product improvement. No prior notice will be given.  
上述規格可能因產品改良而作出修改，恕不另行通知。