

PHILCO®

PHILCO is a pending or registered trademark of
Electrolux Home Products Inc. and used under
a license from Electrolux Home Products, Inc

充油爐 使用說明書

9 Fins Oil Radiator Instruction manual

型號 Model:
POR09BK



請仔細閱讀並妥善保存此說明書
Read and save these instructions

Please read and retain for future reference.

WARNING: In order to avoid overheating, do not cover the radiator.

SAFETY INSTRUCTION - GENERAL

- Use this appliance solely in accordance with these instructions.
- This appliance is for household use only, not for commercial purpose.
- Remove all packaging material from the appliance before use.
- This appliance shall not be used by children of 0 to 8-year old.
- This appliance can be used by children older than 8-year old and persons with reduced physical, sensory or mental capabilities or lack of experience and knowledge, but only if they have been given supervision or instruction concerning use of the appliance in safe way and understand the hazards involved.
- Children should be supervised to ensure that they do not play with the appliance.
- Cleaning and maintenance must not be done by children.
- Have any repairs carried out solely by a qualified electrician. Never try to repair the appliance yourself.
- Do not handle the plug or appliance with wet hands.
- Do not immerse the main body in water.
- Children shall not play with the appliance.
- Do not leave the appliance unattended when connected to the mains supply.
- Keep hair, loose clothing, fingers and all parts of the body away from openings of the appliance.
- Only use the attachments/accessories supplied with the product.

SAFETY INSTRUCTION - ELECTRICITY AND HEAT

- Verify that the mains voltage is the same as that indicated on the rating plate on the appliance before use.
- Make sure that you always use a grounded wall socket to connect the appliance.
- Always remove the plug from the wall socket when the appliance is not in use.
- Remove the plug from the wall socket by pulling the plug, not the power cord.
- Make sure that the appliance, the power cord and plug do not make contact with water.
- Make sure that the appliance, the power cord and plug do not make contact with hot surface, such as a hot hob or naked flame.
- Check the appliance's power cord regularly to make sure it is not damaged.
- Do not use the appliance if the power cord is damaged. If the power cord is damaged, it must be replaced by an electrical technician or a person with similar qualification, in order to avoid any hazards.
- The appliance needs space to allow heat to escape, thereby preventing the risk of fire. Make sure that the appliance has sufficient space around it, and does not come in contact with flammable material. The appliance, the airvents must not be covered or blocked when use.

- Never use the appliance in the vicinity of flammable material.
- Certain part of the appliance may get hot, such as air outlet. Do not touch these part to prevent scalding yourself.

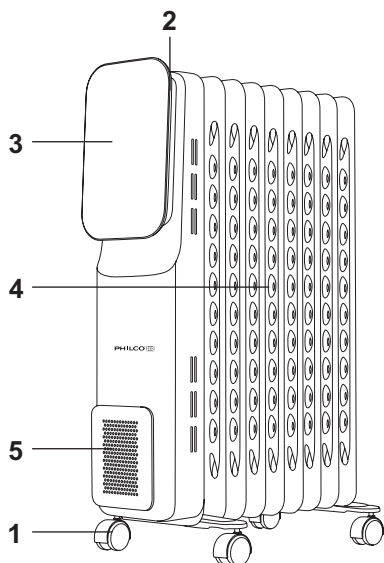
SAFETY INSTRUCTION - DURING OPERATION

- In use, some parts of the radiator are hot. When moving, make sure the radiator is switched off.
- Do not use the radiator in areas such as garages where petrol, paint or other flammable substances are used or stored.
- Do not place the radiator to furniture, animals, curtains or other inflammable objects. Keep combustible materials such as furniture, bedding and any other combustible materials at least 1 metre from the front and sides, and from the rear of the radiator.
- Be sure that no other high current appliances are plugged into the same circuit with your radiator as an overload can occur
- To disconnect the appliance, switch it "OFF", and then remove the plug from outlet. Do not pull the cord to disconnect the plug.
- The most common cause of overheating is deposits of dust or fluff in the appliance. Ensure these deposits are removed regularly by disconnect the appliance and vacuum cleaning air vents and grilles.
- Do not place the radiator on carpet, don't place the cable under carpets. Arrange cord away from traffic areas so that it will not be tripped over.
- Do not use this radiator in the immediate surroundings of a bath, a shower or a swimming pool.
- This radiator is filled with a precise quantity of special oil. Repairs requiring opening of the oil container are only to be made by the after sales service centre. who should be contacted if there is an oil leak
- When scrapping the radiator, follow the regulations concerning the disposal of oil.

INSTALLATION LOCATION OF THE APLICANCE

The application should be keep at least 30cm safe distance from the wall. To reduce the risk of fire, keep textiles, curtains, or any other flammable material a minimum distance of 1 m from the air outlet.

PRODUCT OVERVIEW



1. Wheels
2. Main power switch
3. Touch control panel
4. Radiator housing
5. Power cable holder

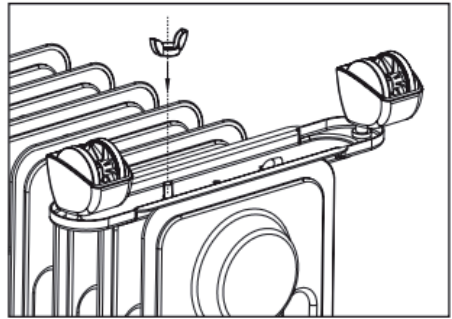
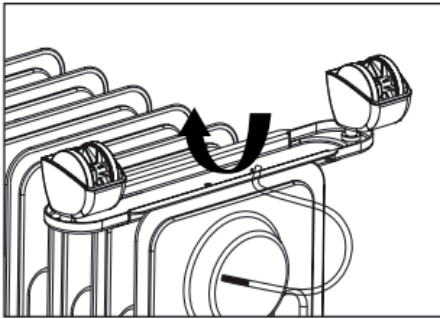
CONTROL PANEL



- ⏻ Stand by
- 🚀 Heating Boost
- 🕒 24 Hours timer off / Child lock
- ||| Heating setting
- + Temperature / Timer plus
- Temperature / Timer minus

INSTALLATION

- 1.To prevent damage, place the radiator upside down on a soft surface (for example a carpet)
- 2.Fix wheels on two plates with cap nuts. Wheels should be installed between the two first and two last fins.
- 3.Insert the U-shaped hook into the wheels plate and fix it on the radiator by wing nuts.
- 4.Turn the radiator upright. Wait one minute before to connect the radiator to power outlet.



USAGE INSTRUCTION

Function selection:

1. Connect the power supply, press the main power switch to the “I” position.
2. Turn on switch and press “⏻” to start the setting.
3. Press “+” or “-” to adjust the target temperature, 5-35°C

I	800W
II	1200W
III(I+II)	2000W

4. Press to “III” adjust the heating position (I, II or III)
5. Press “⏻” to set the 24 hours timer off, “0” means the timer function is off. The indicator light will light up when this function is activated.
6. Press for “⏻” 3 seconds, the screen will be locked, the light will be dim. To unlock the radiator, press “⏻” for 3 seconds again.
7. The radiator have heating boost function, press “🔥” to enter this mode, radiator will continuously work for 12 hours, and the temperature sensor will not work.
8. When the radiator is working, the “☀️” will be light up.
9. For all the operation, the indicator light will stop twinkle when user don't operation for 10 seconds, it will work based on the setting before the twinkle stops.

10. The light of screen will be dim after stopping the operation for 30 seconds.

NOTE:

There will be memory when the appliance turns on, and the previous settings will be kept after restarting.

OVERHEAT PROTECTION

The appliance is protected with an overheat protection that switch off the appliance automatically in case of overheat, e.g. the whole or partial obstruction of the wind outlet or back net. In this case, unplug the appliance, wait about 30 minutes to cool it and remove the object which is obstructing the wind outlet immediately.

Then switch it on as described above after 30 minutes. The appliance should operate normally. Should the problems persist, please contact our after sales service centre.

TIP-OVER AUTO-OFF SAFETY SYSTEM

This appliance is provided with a safety device which will switch off the radiator in case of accidental tipping off. If want to reset, please disconnect the plug from the power for a few minutes first, then plug the appliance in again. If it still cannot be reset, please contact our after sales service centre.

CLEAN AND STORAGE

Cleaning the radiator

1. Always disconnect the appliance and let it completely cool before any maintenance.
2. Use a vacuum cleaner to remove dust on grilles.
3. Clean the outside of the unit with a damp cloth and then dry it with a dry cloth. Never immerse the unit in water, nor let water drip into the unit.
4. Do not use any detergents or abrasives and do not allow any water to enter the radiator.

Storing the radiator

1. When the radiator is not used for long periods of time it should be protected from dust and stored in a clean dry place.
2. Do not place any heavy items on top of carton during storing as this may damage the appliance.



The crossed-out wheeled bin symbol indicates that the item should be disposed of separately from household waste. The item should be handed in for recycling in accordance with local environmental regulations for waste disposal. By separating a marked item from household waste, you will help reduce the volume of waste sent to incinerators or land-fill and minimize any potential negative impact on human health and the environment.

PRODUCT SPECIFICATIONS

Model no.: POR09BK

Voltage: 220-240V~

Frequency: 50-60Hz

Output power: 800/1200/2000W

Product size: 640(H) x 406(W) x 280(D)mm

*The final product specification may be varied according to a different lot of material and actual input voltage power of the usage area.

閱讀下列說明事項並請妥善保管，以供日後參考。

警告：為避免過熱，請勿覆蓋暖爐。

安全指引 - 一般安全

- 請按照這些說明事項, 使用本產品。
- 本產品僅供家用，不作商業用途。
- 使用前，請將所有包裝材料拆除。
- 0至8歲的兒童不應使用本產品。
- 超過8歲的兒童可使用本產品，但請勿由肢體不健全、感覺或精神上有障礙或缺乏相關經驗和知識的人使用，除非有負責他們安全的人對他們使用本產品進行監督或指導。
- 請務必看顧好兒童，以確保他們不玩耍本產品。
- 兒童不應清潔或維修本產品。
- 當需進行任何維修，必須由專業維修人員進行維修。永遠不要嘗試自己修理本產品。
- 手濕時不可以接觸電源插頭或本機。
- 主機不可以浸入水中。
- 兒童不可以把玩本機。
- 本機開著後不可以無人監管。
- 當本機開著時，頭髮、鬆身衣物、手指和身體其他部份都要離開本機。
- 只使用隨機附送的配件。

安全指引 - 電子和熱能產品

- 使用相符的電源和電壓，以防止觸電。
- 本產品只能使用帶接地線的電源插座。
- 當本產品不使用時，請從牆上的插座中拔掉插頭。
- 從牆上插座中拔掉插頭時，應拿著插頭而不是電源線。
- 確保本產品、電源線和插頭不與水接觸。
- 確保本產品、電源線和插頭不接觸發熱表面，如明火。
- 定期檢查本產品的電源線以確保其沒有損壞。如果電源線損壞，請勿使用其產品，並須由專業維修人員來更換，以避免出現任何危險。
- 確保本產品的周圍有足夠空間，並且不接觸易燃物料。使用時，通風口不得覆蓋或堵塞。
- 切勿在易燃材料附近使用本產品。
- 本產品的某部分可能會發熱。如出風口，不要觸摸這些部分，以防止燙傷自己。

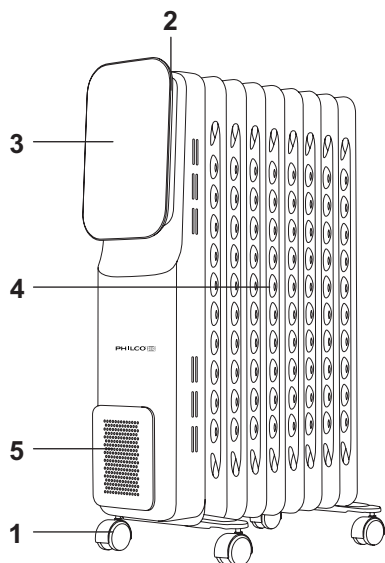
安全指引 - 操作期間

- 在使用時，暖風機的一些部位是非常熱的，請確保關機後才移動暖風機。
- 不要在有使用和儲藏汽油、燃料和其他可燃物質的車庫之類的地方使用暖風機。
- 不要在傢俱、動物、窗簾或其他可燃物體周圍使用暖風機。讓可燃性的傢俱，臥具和其他可燃材料與暖風機的前方、側面和後背至少保持1米的距離。
- 確保沒有其他高電流的電器同時插入和暖風機相同的電路，從而產生超負載的情況。
- 若要關閉本產品，請將其切換至「OFF」位置，然後從插座拔下插頭。請勿拉扯電源線來斷開插頭。
- 過熱最常見的原因是本產品內積灰塵或絨毛。確定期用吸塵器清潔通風口和格網的沉積物。
- 請勿將暖爐放置在地毯上，請勿將電源線放置在地毯下。將電線遠離擠拍的位置，以免被絆倒。
- 請勿在浴缸、淋浴或游泳池附近使用本產品。
- 本產品內裝有專用油。需要打開油容器進行維修，或發生漏油請聯絡售後服務中心。
- 報廢本產品時，請遵守有關油處理的規定。

產品安裝位置

本產品必須安置與牆壁保持至少30厘米的安全距離。為了降低風險，紡織品、窗簾或任何其他易燃物料與出風口保持至少1米的距離。







部件示意圖



1. 輪子
2. 主電源鍵
3. 輕觸式控制面板
4. 外殼
5. 電源線支架

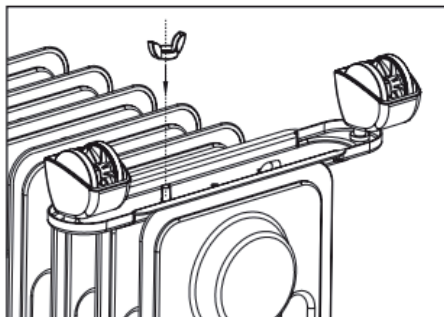
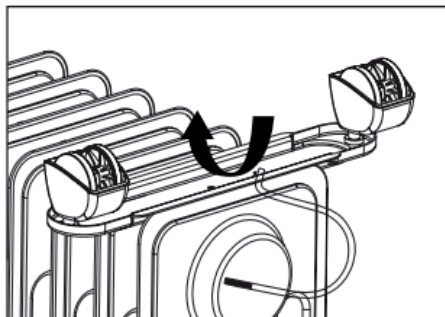
控制面板




-  開關
-  加熱
-  24小時預設時間/ 童鎖
-  熱力調節
-  溫度/時間增加鍵
-  溫度/時間減少鍵

安裝






1. 為防止損壞，請將暖爐倒置在柔軟的表面上（例如一塊地毯）
2. 用螺絲帽將輪子固定在兩個板架上。輪子應安裝在兩前排和兩個在後排。
3. 將U型支架插入輪盤，透過翼片固定在暖爐上。
4. 將直立暖爐，再把暖爐連接到電源，然後等待一分鐘。



使用說明

1. 接通電源後，按下主電源鍵至“1”位置。
2. 開啟產品，按「」開啟待機模式。
3. 按“+”或“-”調節所需溫度，5-35度。

I	800W
II	1200W
III(I+II)	2000W

4. 按「III」調節加熱檔位（I、II 或 III）。
5. 按下“”鍵，設定24小時預設時間，“0”表示關閉預設時間功能。當此功能啟動時，指示燈會亮起。
6. 長按「」3秒，顯示屏鎖定，燈光變暗，開啟意鎖功能。若要解開童鎖，請再次按「」3秒。
7. 按“”鍵進入快速加熱模式，暖爐將連續工作12小時，溫度探測器停止工作。
8. 暖爐工作時，「」燈亮。
9. 對於所有操作，當使用者10秒沒有操作時，指示燈將停止閃爍，閃爍停止前，本產品將按之前的設定來工作。
10. 停止操作，30秒後顯示屏燈光變暗。

注意：開機後會有記憶，重啟後會保留之前的設定。

過熱保護裝置

本產品具有過熱保護功能，在過熱情況下，自動關閉設備，例如在整個或部份的出風口或後網堵塞。在這種情況下，請拔掉產品電源插頭，等待約30分鐘使其冷卻，並立即清除阻礙出風口的物體。然後在30分鐘後，重新插上電源開啟本機，設備應正常運行。如果問題仍然存在，請聯繫我們的售後服務中心。

翻倒自動停止操作

本產品配有安全裝置，在意外翻倒時，將關閉暖爐。如需復位，請先拔掉電源插頭，靜待幾分鐘，然後重新連接電源，開啟暖爐。如果問題仍然存在，請聯繫我們的售後服務中心。

清潔和儲存

清潔暖爐

1. 在進行儲存之前，請務必斷開本產品並使其完全冷卻。
2. 使用吸塵器清除格網上的灰塵。
3. 用濕布清潔本產品外部，然後用乾布抹乾。切勿將本產品浸入水中，也不能讓水滴入流入本產品內。
4. 請勿使用任何清潔劑或研磨劑，並且不要讓任何水進入暖爐。

儲存暖爐

1. 暖爐長期不用時，應存放在防塵，乾淨乾燥的地方。
2. 存放期間請勿將任何重物放在本產品頂部，否則可能會造成損壞。



打叉的垃圾箱符號表示該物品應與生活垃圾分開處理。該物品應根據當地廢棄物處理環境法規進行回收。將標記的物品與家庭垃圾分開，您將有助於減少送往焚化爐的廢棄物量，並最大限度地減少對人類健康和環境的潛在負面影響。

產品規格

型號：POR09BK

電源：220-240V~

頻率：50-60Hz

輸出功率：800/1200/2000W瓦

產品尺寸：640(高) x 406(闊) x 280(深)毫米

* 相關產品的規格，可能會因配件批次或實際使用地區的電壓差異而有所不同。

請記錄下列產品資料

型號 Model No.:

機身編號 Serial No.:

經銷商名稱 Dealer:

購買日期 Date of Purchase:

單據編號 Invoice No.:

本產品不斷改進中，如功能有所更改，恕不另行通知
如有疑問，請與客戶服務中心聯絡。不便之處，敬請原諒。

The product specifications may be changed without prior notice.
Please contact customer service for details if necessary.

說明書內容以英文版本為準

If there is any inconsistency or ambiguity
between the English version and the Chinese version,
the English version shall prevail.

保養登記
Warranty Registration



於網上登記新產品保養
Register your product online
www.dchtoolbox.com

小電維修服務 - 自攜點
Repair Service - Collection Points



客戶服務中心 DCH ToolBox Customer Service Centre
香港九龍灣啟祥道20號大昌行集團大廈4樓
4/F, DCH Building, 20 Kai Cheung Road, Kowloon Bay, Hong Kong

客戶服務熱線 Customer Service Hotline: (852) 8210 8210
電郵地址 E-mail: 8210service@gilman-group.com
網址 Website: www.gilman-group.com