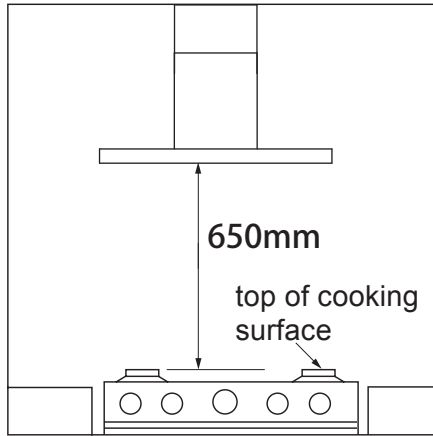
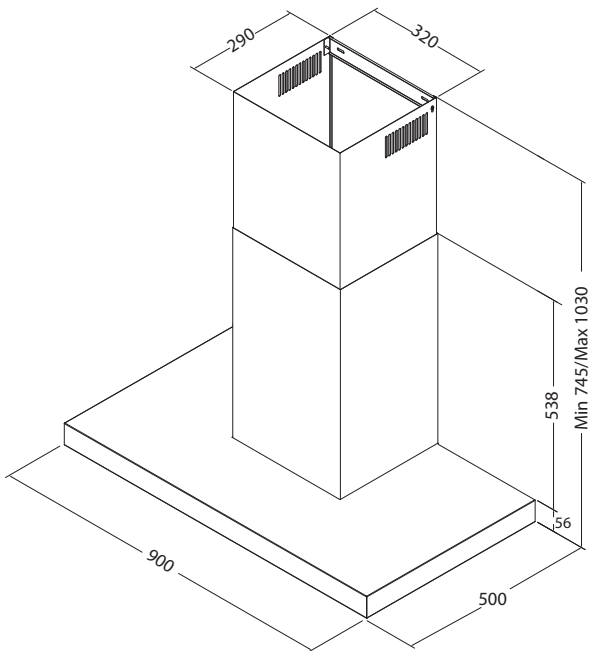


INSTALLATION



Positioning

Fixing dimensions



WARNING!

Failure to install the screws or fixing device in accordance with these instructions may result in electrical hazards.

Drilling holes

- Mark the location for flue cover wall mounting brackets, rangehood mounting points and anti-tilt fixing points above the rangehood using the base as the reference point (Fig. 1).

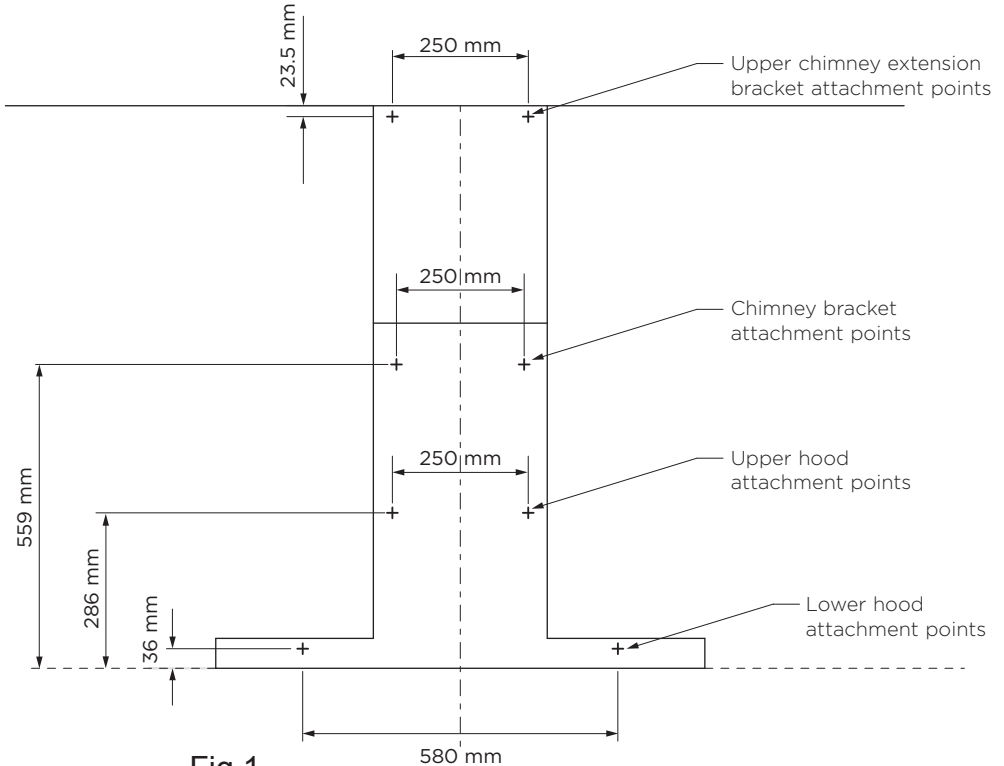


Fig.1

Attach chimney brackets and hood mounting screws

- Attach the upper hood mounting screws in the locations shown in Fig.2. Use the ST 4x32 mm screws and expansion plugs if attaching to masonry.

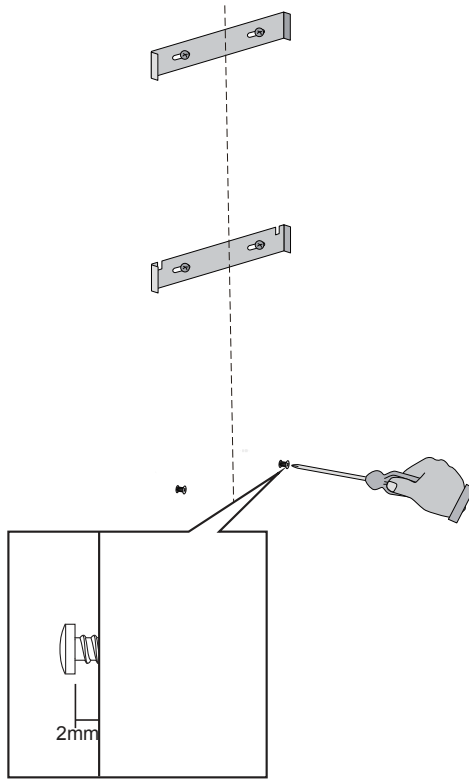


Fig.2

Attached hood on wall

- Remove the aluminium filters from the rangehood body and hang it on the mounting screws then secure at the anti-tilt locations as indicated in Fig. 3.

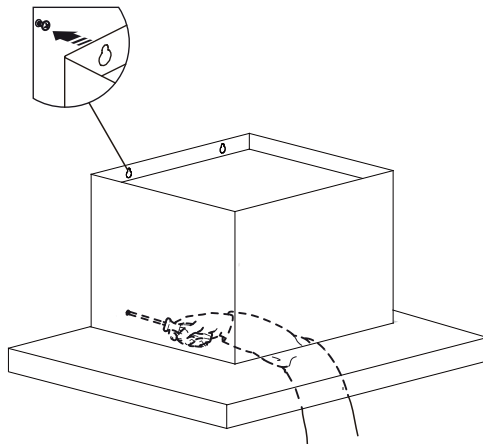


Fig.3

Connect ducting adapter

- Connect Ø150mm ducting adapter to the blower outlet and use screws ST 4x12mm to fix it to the range hood (Fig. 4).

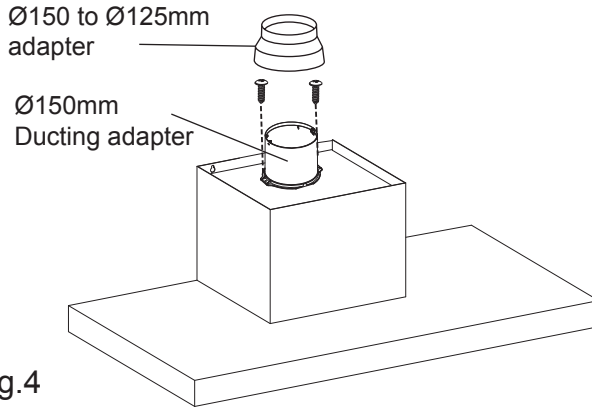


Fig.4

- If necessary, connect the Ø150 to Ø125mm adapter to the Ø150mm ducting adapter (Fig. 4).

Important! For best performance, Ø150mm ducting is recommended (Ø125mm ducting can be used, but will reduce the airflow of the cooker hood).

Fixing flexible duct

- If need exhaust air to the outside. Connect Ø150 mm or Ø125 mm flexible duct to the adapter and fix it (Fig. 5).

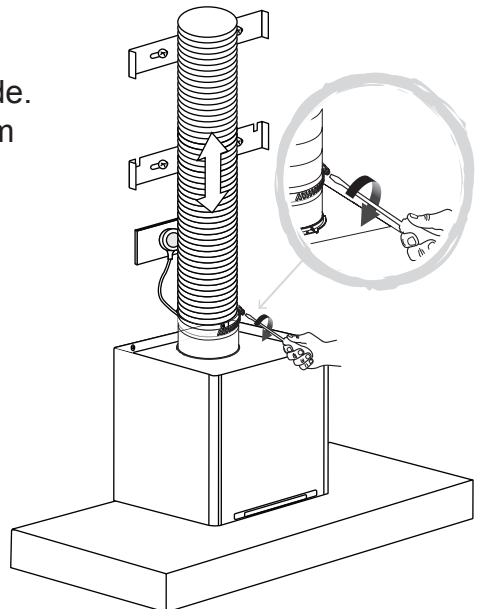


Fig.5

Attach the chimney

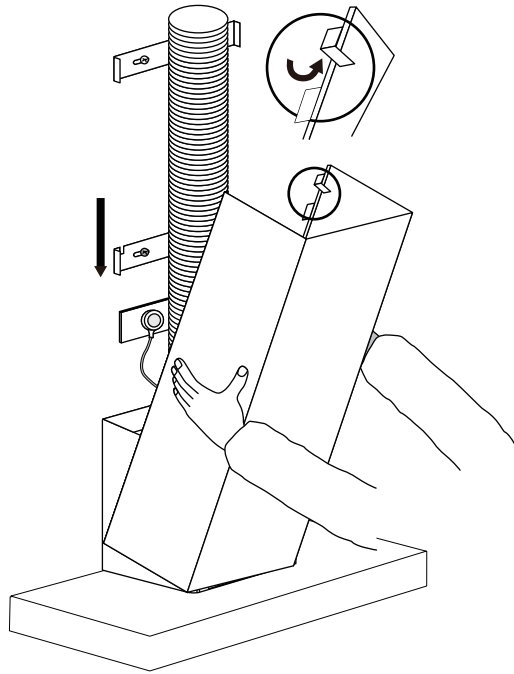


Fig.6

Connect ducting adapter

- Fix the chimney to the top bracket using two screws ST 4x12mm. Connect top of the ducting tube to vent kit as per manufacturers instructions (Fig. 7).
- Install back the aluminium filters to rangehood, and remove the protection film from rangehood and chimney.

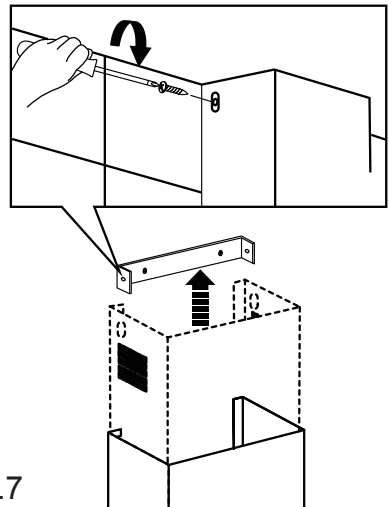
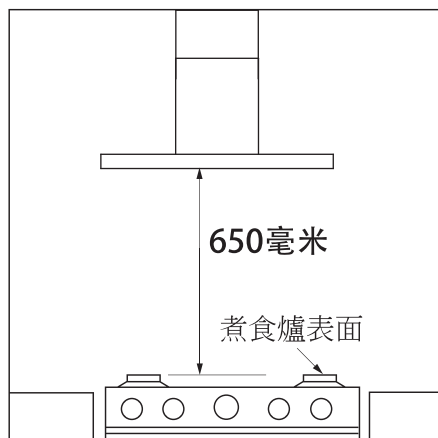


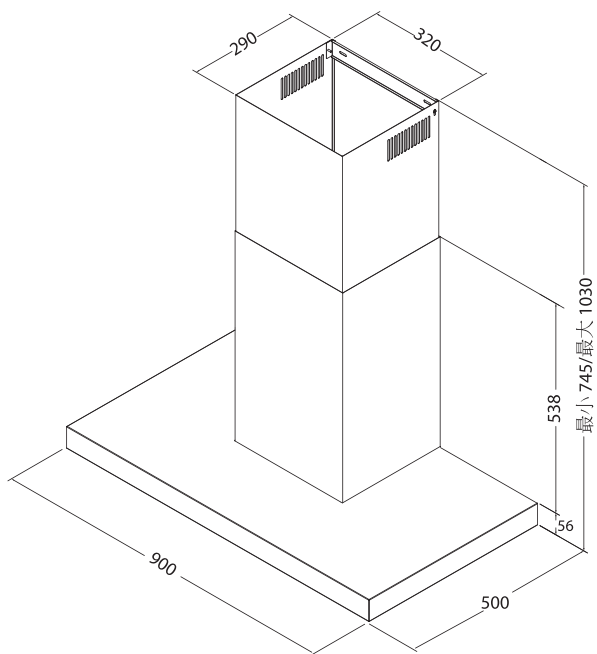
Fig.7

安裝



位置

安裝尺寸



注意事項!

如果未有依照以上指示安裝螺絲及固定裝置會引致觸電危險。

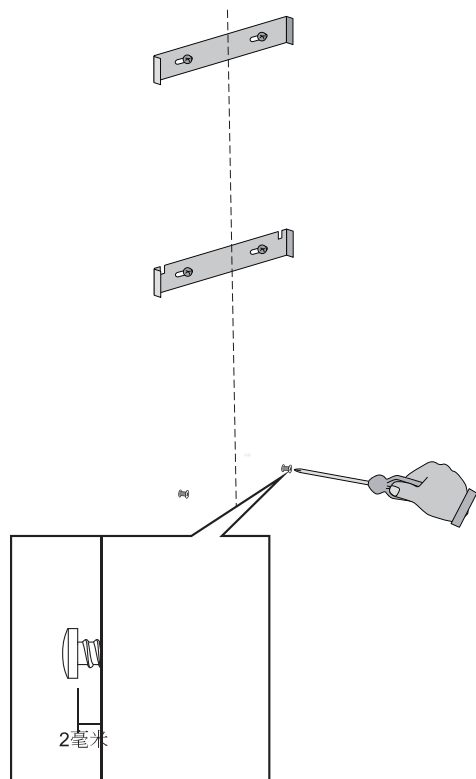


圖2

安裝油煙機於牆上

- 將金屬隔油網從抽油煙機上卸下，並將抽油煙機機身懸掛在已安裝的螺釘上，如圖3所示將其固定在防傾斜位置。

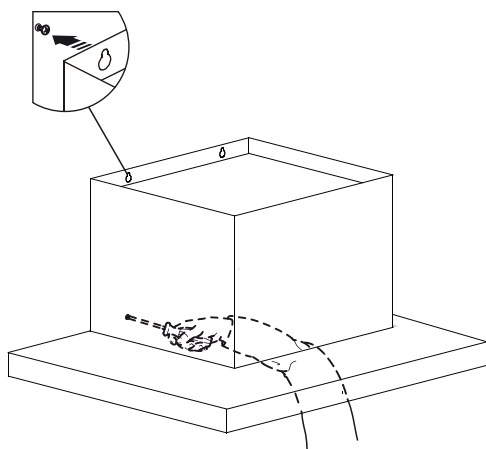


圖3

安裝排氣管接合器

- 將 $\text{Ø}150$ 毫米排氣管接合器連接在排風口上，並用螺絲 $\text{ST } 4 \times 12$ 毫米固定在抽油煙機上(圖4)。

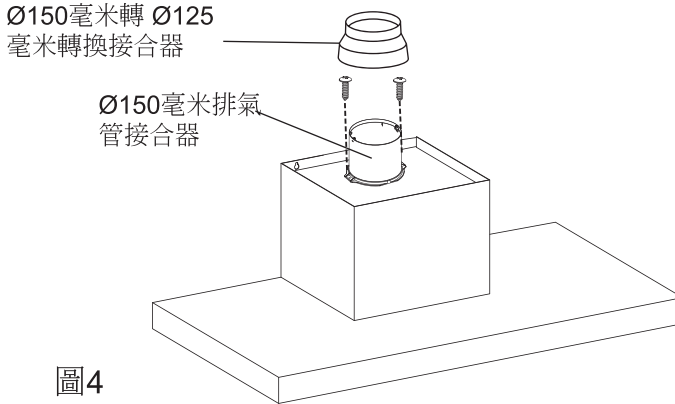


圖4

- 如有須要，將 $\text{Ø}150$ 轉 $\text{Ø}125$ 毫米轉換接合器連接至 $\text{Ø}150$ 毫米排氣管接合器 (圖4)。

重要！為了最佳性能，建議使用 $\text{Ø}150$ 毫米的風管（可以使用 $\text{Ø}125$ 毫米的風管，但會減少抽油煙機的氣流）。

安裝伸縮排風管

- 如需排氣到外面，請將 $\text{Ø}150$ 毫米或 $\text{Ø}125$ 毫米的排氣管接合器連接並固定 (圖5)。

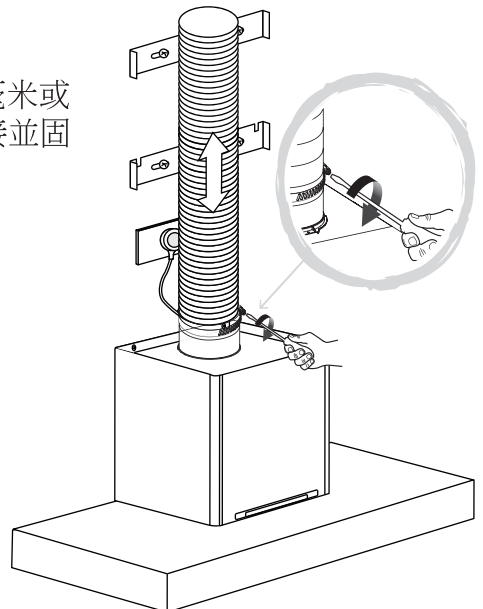


圖5

安裝煙囪

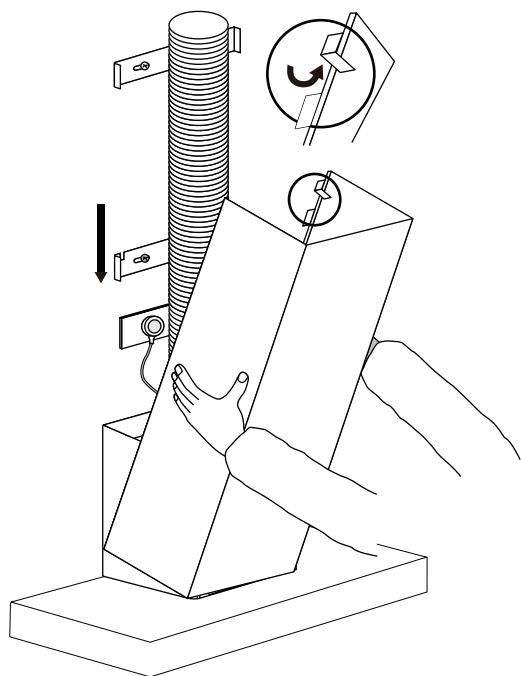


圖6

連接煙囪

- 將煙囪固定在頂部支架上，用 **ST 4x12 毫米** 螺絲安裝及固定。將排氣管的頂部連接到支架上（圖7）。
- 將金屬隔油網裝回抽油煙機上，並將其保護膜取下。

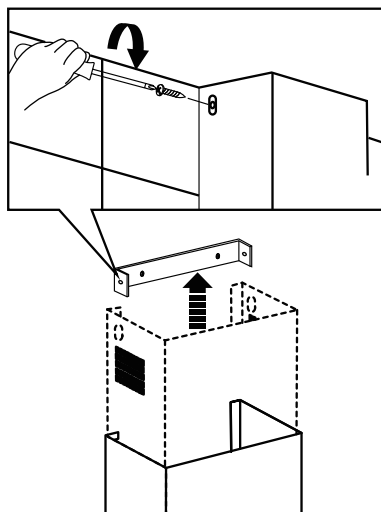


圖7