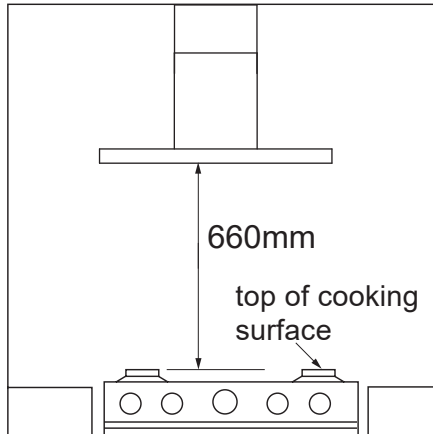
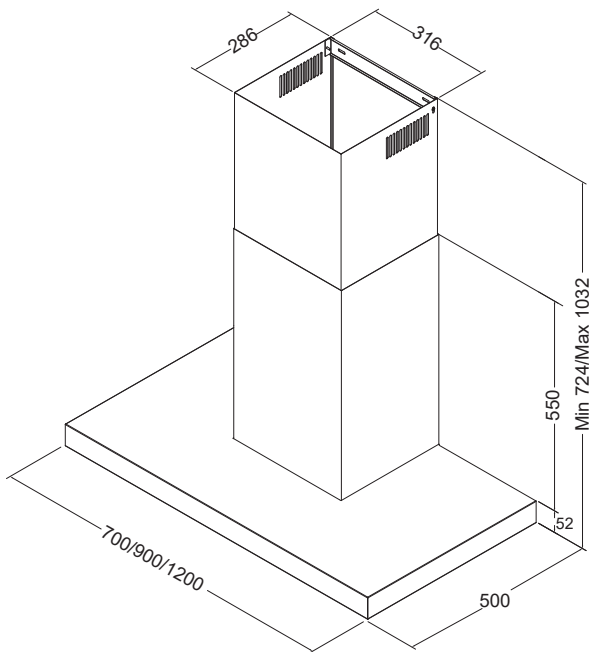


INSTALLATION



Positioning

Fixing dimensions



WARNING!

Failure to install the screws or fixing device in accordance with these instructions may result in electrical hazards.