

PHILCO®

PBTR122

en
zh

Instruction Manual
冰箱使用说明书



Please read this manual first!

Dear Customer,

We hope that your product, which has been produced in modern plants and checked under the most meticulous quality control procedures, will provide you an effective service.

For this, we recommend you to carefully read the entire manual of your product before using it and keep it at hand for future references.




This manual

- Will help you use your appliance in a fast and safe way.
- Read the manual before installing and operating your product.
- Follow the instructions, especially those for safety.
- Keep the manual in an easily accessible place as you may need it later.
- Besides, read also the other documents provided with your product.

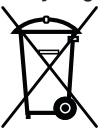
Please note that this manual may be valid for other models as well.

Symbols and their descriptions

This instruction manual contains the following symbols:

-  Important information or useful usage tips.
-  Warning against dangerous conditions for life and property.
-  Warning against electric voltage.

Recycling



This product is supplied with the selective sorting symbol for waste electrical and electronic equipment (WEEE).

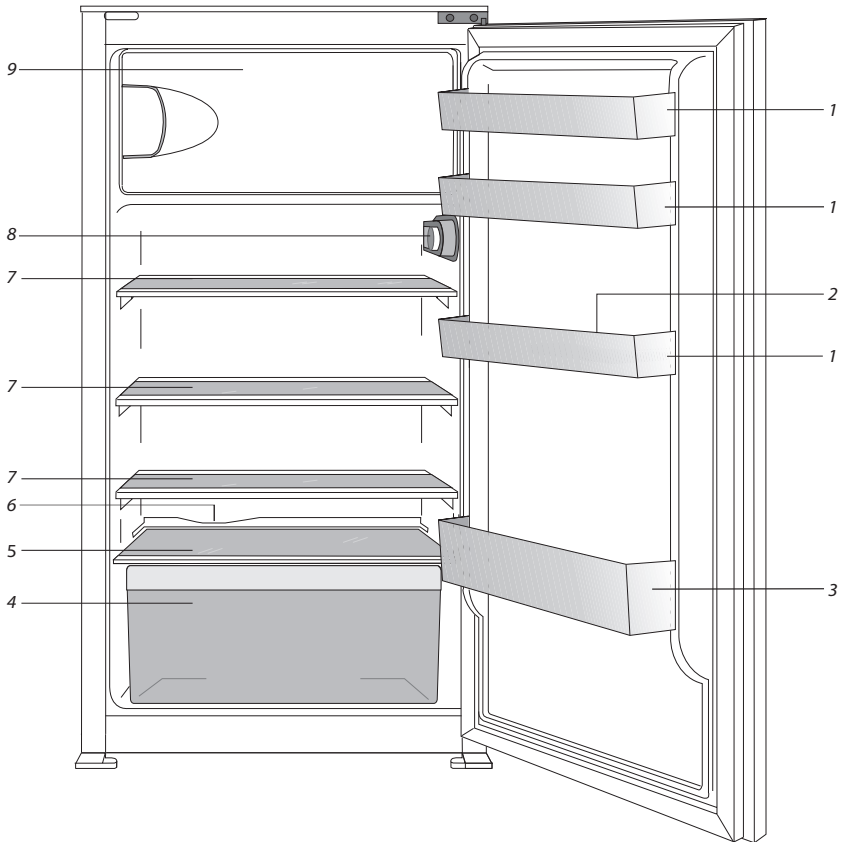
This means that this product must be handled pursuant to European Directive 2002/96/EC in order to be recycled or dismantled to minimise its impact on the environment. For further information, please contact your local or regional authorities.

Electronic products not included in the selective sorting process are potentially dangerous for the environment and human health due to the presence of hazardous substances.

CONTENTS

1 Your refrigerator	3	4 Preparation	10
2 Important Safety Warnings	4	5 Using your refrigerator	11
Intended use	4	Thermostat setting button.....	11
General safety.....	4	Cooling.....	12
For products with a water dispenser;.....	6	Freezing.....	12
Child safety.....	6	Defrost	12
HCA Warning	6	Stopping your product.....	13
Things to be done for energy saving ..	6		
3 Installation	7	6 Maintenance and cleaning	14
Points to be considered when re-transporting your refrigerator	7	Protection of plastic surfaces	14
Before operating your refrigerator	7		
Electric connection	7	7 Troubleshooting	15
Disposing of the packaging	7		
Disposing of your old refrigerator	8		
Placing and Installation	8		
Replacing the interior light bulb	8		
Reversing the doors	9		

1 Your refrigerator



1. Adjustable door shelves
2. Egg tray
3. Bottle shelves
4. Crisper
5. Crisper cover
6. Defrost water collection channel - drain tube
7. Movable shelves
8. Light bulb and thermostat box
9. a.) Freezing compartment & ice tray (for *** ** *** models)
b.) Frozen food compartment & ice tray (for *** *** models)

i Figures that take place in this instruction manual are schematic and may not correspond exactly with your product. If the subject parts are not included in the product you have purchased, then it is valid for other models.

2 Important Safety Warnings

Please review the following information. Failure to observe this information may cause injuries or material damage. Otherwise, all warranty and reliability commitments will become invalid.

Original Spare parts will be provided for 10 years, following the product purchasing date

Intended use

This product is intended to be used

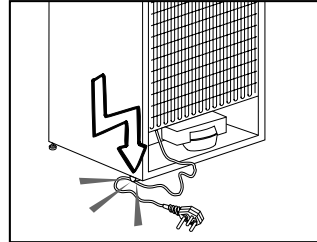
- indoors and in closed areas such as homes;
- in closed working environments such as stores and offices;
- in closed accommodation areas such as farm houses, hotels, pensions.
- This product should not be used outdoors.

General safety

- When you want to dispose/scrap the product, we recommend you to consult the authorized service in order to learn the required information and authorized bodies.
- Consult your authorized service for all your questions and problems related to the refrigerator. Do not intervene or let someone intervene to the refrigerator without notifying the authorised services.
- For products with a freezer compartment; Do not eat cone ice cream and ice cubes immediately after you take them out of the freezer compartment! (This may cause frostbite in your mouth.)
- For products with a freezer compartment; Do not put bottled and canned liquid beverages in the freezer compartment. Otherwise, these may burst.
- Do not touch frozen food by hand; they may stick to your hand.
- Unplug your refrigerator before cleaning or defrosting.
- Vapor and vaporized cleaning materials should never be used in cleaning and defrosting processes of your refrigerator. In such cases, the vapor may get in contact with the electrical parts and cause short circuit or electric shock.
- Never use the parts on your refrigerator such as the door as a means of support or step.
- Do not use electrical devices inside the refrigerator.
- Do not damage the parts, where the refrigerant is circulating, with drilling or cutting tools. The refrigerant that might blow out when the gas channels of the evaporator, pipe extensions or surface coatings are punctured causes skin irritations and eye injuries.
- Do not cover or block the ventilation holes on your refrigerator with any material.
- Electrical devices must be repaired by only authorised persons. Repairs performed by incompetent persons create a risk for the user.
- In case of any failure or during a maintenance or repair work, disconnect your refrigerator's mains supply by either turning off the relevant fuse or unplugging your appliance.
- Do not pull by the cable when pulling off the plug.
- Place the beverage with higher proofs tightly closed and vertically.
- Never store spray cans containing flammable and explosive substances in the refrigerator.

- Do not use mechanical devices or other means to accelerate the defrosting process, other than those recommended by the manufacturer.
- This product is not intended to be used by persons with physical, sensory or mental disorders or unlearned or inexperienced people (including children) unless they are attended by a person who will be responsible for their safety or who will instruct them accordingly for use of the product
- Do not operate a damaged refrigerator. Consult with the service agent if you have any concerns.
- Electrical safety of your refrigerator shall be guaranteed only if the earth system in your house complies with standards.
- Exposing the product to rain, snow, sun and wind is dangerous with respect to electrical safety.
- Contact authorized service when there is a power cable damage to avoid danger.
- Never plug the refrigerator into the wall outlet during installation. Otherwise, risk of death or serious injury may arise.
- This refrigerator is intended for only storing food items. It must not be used for any other purpose.
- Label of technical specifications is located on the left wall inside the refrigerator.
- Never connect your refrigerator to electricity-saving systems; they may damage the refrigerator.
- If there is a blue light on the refrigerator, do not look at the blue light with optical tools.
- For manually controlled refrigerators, wait for at least 5 minutes to start the refrigerator after power failure.

- This operation manual should be handed in to the new owner of the product when it is given to others.
- Avoid causing damage on power cable when transporting the refrigerator. Bending cable may cause fire. Never place heavy objects on power cable. Do not touch the plug with wet hands when plugging the product.



- Do not plug the refrigerator if the wall outlet is loose.
- Water should not be sprayed directly on inner or outer parts of the product for safety purposes.
- Do not spray substances containing inflammable gases such as propane gas near the refrigerator to avoid fire and explosion risk.
- Never place containers filled with water on top of the refrigerator, otherwise this may cause electric shock or fire.
- Do not overload your refrigerator with excessive amounts of food. If overloaded, the food items may fall down and hurt you and damage refrigerator when you open the door. Never place objects on top of the refrigerator; otherwise, these objects may fall down when you open or close the refrigerator's door.
- As they require a precise temperature, vaccines, heat-sensitive medicine and scientific materials and etc. should not be kept in the refrigerator.

- If not to be used for a long time, refrigerator should be unplugged. A possible problem in power cable may cause fire.
- The plug's tip should be regularly cleaned; otherwise, it may cause fire.
- The plug's tip should be cleaned regularly with a dry cloth; otherwise, it may cause fire.
- Refrigerator may move if adjustable legs are not properly secured on the floor. Properly securing adjustable legs on the floor can prevent the refrigerator to move.
- When carrying the refrigerator, do not hold it from door handle. Otherwise, it may be snapped.
- When you have to place your product next to another refrigerator or freezer, the distance between devices should be at least 8cm. Otherwise, adjacent side walls may be humidified.

For products with a water dispenser;

Pressure of water mains should be minimum 1 bar. Pressure of water mains should be maximum 8 bars.

- Use only potable water.

Child safety

- If the door has a lock, the key should be kept away from reach of children.
- Children must be supervised to prevent them from tampering with the product.

HCA Warning If your product's cooling system contains R600a:

This gas is flammable. Therefore, pay attention to not damaging the cooling system and piping during usage and transportation. In the event of damage, keep your product away from potential fire sources that can cause the product catch a fire and ventilate the room in which the unit is placed.

Ignore this warning if your product's cooling system contains R134a.


Type of gas used in the product is stated in the type plate which is on the left wall inside the refrigerator.

Never throw the product in fire for disposal.

Things to be done for energy saving

- Do not leave the doors of your refrigerator open for a long time.
- Do not put hot food or drinks in your refrigerator.
- Do not overload your refrigerator so that the air circulation inside of it is not prevented.
- Do not install your refrigerator under direct sunlight or near heat emitting appliances such as ovens, dishwashers or radiators.
- Pay attention to keep your food in closed containers.
- For products with a freezer compartment; You can store maximum amount of food items in the freezer when you remove the shelf or drawer of the freezer. Energy consumption value stated for your refrigerator has been determined by removing freezer shelf or drawer and under maximum load. There is no harm to use a shelf or drawer according to the shapes and size of food to be frozen.
- Thawing frozen food in fridge compartment will both provide energy saving and preserve the food quality.

3 Installation

 Please remember that the manufacturer shall not be held liable if the information given in the instruction manual is not observed.

Points to be considered when re-transporting your refrigerator

1. Your refrigerator must be emptied and cleaned prior to any transportation.
2. Shelves, accessories, crisper and etc. in your refrigerator must be fastened securely by adhesive tape against any jolt before repackaging.
3. Packaging must be tied with thick tapes and strong ropes and the rules of transportation printed on the package must be followed.

Please do not forget...

Every recycled material is an indispensable source for the nature and for our national resources.

If you wish to contribute to recycling the packaging materials, you can get further information from the environmental bodies or local authorities.

Before operating your refrigerator

Before starting to use your refrigerator check the following:


1. Is the interior of the refrigerator dry and can the air circulate freely in the rear of it?
2. Clean the interior of the refrigerator as recommended in the "Maintenance and cleaning" section.
3. Plug the refrigerator into the wall outlet. When the fridge door is open the fridge compartment interior light will come on.


4. You will hear a noise as the compressor starts up. The liquid and gases sealed within the refrigeration system may also give rise to noise, even if the compressor is not running and this is quite normal.
5. Front edges of the refrigerator may feel warm. This is normal. These areas are designed to be warm to avoid condensation.

Electric connection

Connect your product to a grounded socket which is being protected by a fuse with the appropriate capacity.

Important:

- The connection must be in compliance with national regulations.
 - The power cable plug must be easily accessible after installation.
 - The specified voltage must be equal to your mains voltage.
 - Extension cables and multiway plugs must not be used for connection.
-  A damaged power cable must be replaced by a qualified electrician.

 Product must not be operated before it is repaired! There is danger of electric shock!

Disposing of the packaging

The packing materials may be dangerous for children. Keep the packing materials out of the reach of children or dispose them of by classifying them in accordance with the waste instructions. Do not dispose them of along with the normal household waste.

The packing of your refrigerator is produced from recyclable materials.

Disposing of your old refrigerator

Dispose of your old machine without giving any harm to the environment.

- You may consult your authorized dealer or waste collection center of your municipality about the disposal of your refrigerator.

Before disposing of your refrigerator, cut out the electric plug and, if there are any locks on the door, make them inoperable in order to protect children against any danger.

Placing and Installation

⚠ If the entrance door of the room where the refrigerator will be installed is not wide enough for the refrigerator to pass through, then call the authorized service to have them remove the doors of your refrigerator and pass it sideways through the door.

1. Install your refrigerator to a place that allows ease of use.
2. Keep your refrigerator away from heat sources, humid places and direct sunlight.
3. There must be appropriate air ventilation around your refrigerator in order to achieve an efficient operation.

If the refrigerator is to be placed in a recess in the wall, there must be at least 5 cm distance with the ceiling and at least 5 cm with the wall.

If the floor is covered with a carpet, your product must be elevated 2.5 cm from the floor.

4. Place your refrigerator on an even floor surface to prevent jolts.
5. Do not keep your refrigerator in ambient temperatures under 10°C.

Replacing the interior light bulb

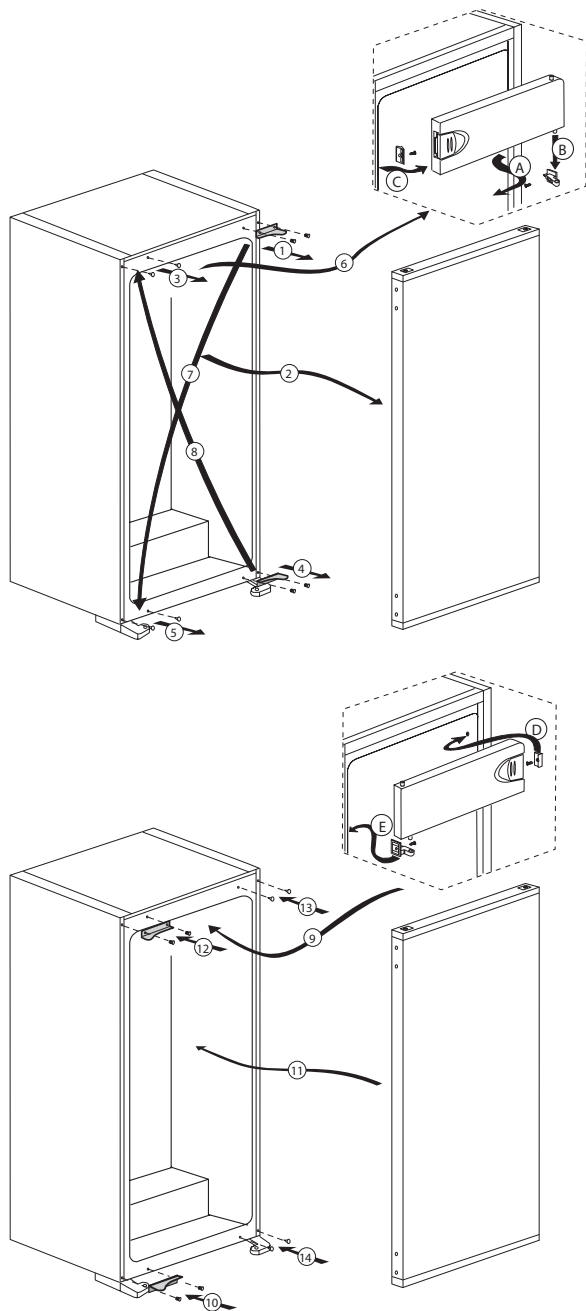
To change the Bulb/LED used for illumination of your refrigerator, call your AuthorisedService.

The lamp(s) used in this appliance is not suitable for household room illumination. The intended purpose of this lamp is to assist the user to place foodstuffs in the refrigerator/freezer in a safe and comfortable way.

The lamps used in this appliance have to withstand extreme physical conditions such as temperatures below -20°C.

Reversing the doors

Proceed in numerical order.

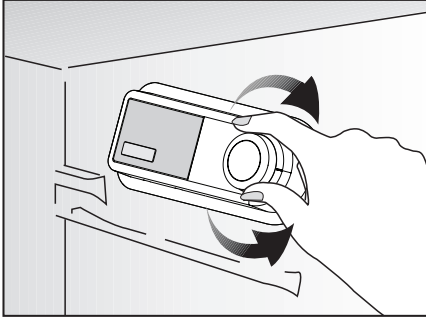


4 Preparation

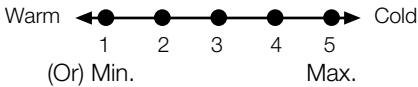
- i** Your refrigerator should be installed at least 30 cm away from heat sources such as hobs, ovens, central heater and stoves and at least 5 cm away from electrical ovens and should not be located under direct sunlight.
- i** The ambient temperature of the room where you install your refrigerator should at least be 10°C. Operating your refrigerator under cooler conditions than this is not recommended with regard to its efficiency.
- i** Please make sure that the interior of your refrigerator is cleaned thoroughly.
- i** If two refrigerators are to be installed side by side, there should be at least 2 cm distance between them.
- i** When you operate your refrigerator for the first time, please observe the following instructions during the initial six hours.
 - The door should not be opened frequently.
 - It must be operated empty without any food in it.
 - Do not unplug your refrigerator. If a power failure occurs out of your control, please see the warnings in the “Recommended solutions for the problems” section.
- i** Original packaging and foam materials should be kept for future transportations or moving.

5 Using your refrigerator

Thermostat setting button



The operating temperature is regulated by the temperature control.



**1 = Lowest cooling setting
(Warmest setting)**

**5 = Highest cooling setting
(Coldest setting)**

(Or)

**Min. = Lowest cooling setting
(Warmest setting)**

**Max. = Highest cooling setting
(Coldest setting)**

The average temperature inside the fridge should be around +5°C.

Please choose the setting according to the desired temperature.

Please note that there will be different temperatures in the cooling area.

The coldest region is immediately above the vegetable compartment.

The interior temperature also depends on ambient temperature, the frequency with which the door is opened and the amount of foods kept inside.

Frequently opening the door causes the interior temperature to rise. For this reason, it is recommended to close the door again as soon as possible after use.

The interior temperature of your refrigerator changes for the following reasons:

- Seasonal temperatures.
- Frequent opening of the door and leaving the door open for long periods.
- Food put into the refrigerator without cooling down to the room temperature.
- The location of the refrigerator in the room (e.g. exposing to sunlight).
- You may adjust the varying interior temperature due to such reasons by using the thermostat. Numbers around the thermostat button indicates the cooling degrees.
- If the ambient temperature is higher than 32°C, turn the thermostat button to maximum position.
- If the ambient temperature is lower than 25°C, turn the thermostat button to minimum position.

Cooling

Food storage

The fridge compartment is for the short-term storage of fresh food and drinks.

Freezing

Freezing food

The freezing compartment is marked with *** ** *** this symbol.

You can use the appliance for freezing fresh food as well as for storing pre-frozen food.

Please refer to the recommendations given on the packaging of your food.

Storing frozen food

The frozen food compartment is marked with *** *** symbol.

The frozen food compartment is suitable for the storage of pre-frozen food. The recommendation for storage, as stated on the food packaging, should be observed at all times.

Defrost

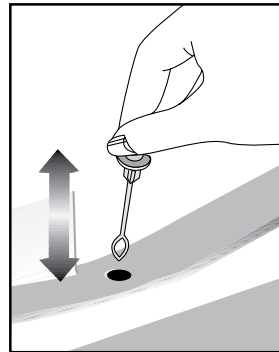
A) Fridge compartment

Fridge compartment performs full-automatic defrosting.

Water drops and a frosting up to 7-8 mm can occur on the inner rear wall of the fridge compartment while your refrigerator cools down. Such formation is normal as a result of the cooling system. The frost formation is defrosted by performing automatic defrosting with certain intervals thanks to the automatic defrosting system of the rear wall. User is not required to scrape the frost or remove the water drops.

Water resulting from the defrosting passes from the water collection groove and flows into the evaporator through the drain pipe and evaporates here by itself.

Check regularly to see if the drain pipe is clogged or not and clear it with the stick in the hole when necessary.



B) Freezer compartment

Deep freezer compartment does not perform automatic defrosting in order to prevent decaying of the frozen food.

Defrosting is very straightforward and without mess, thanks to a special defrost collection basin.

Defrost twice a year or when a frost layer of around 7 (1/4") mm has formed.

To start the defrosting procedure, switch off the appliance at the socket outlet and pull out the mains plug.

All food should be wrapped in several layers of newspaper and stored in a cool place (e.g. fridge or larder).

Containers of warm water may be placed carefully in the freezer to speed up the defrosting.

Do not use pointed or sharp-edged objects, such as knives or forks to remove the frost.

Never use hair dryers, electrical heaters or other such electrical appliances for defrosting.

Sponge out the defrost water collected in the bottom of the freezer compartment. After defrosting, dry the interior thoroughly.

Insert the plug into the wall socket and switch on the electricity supply.

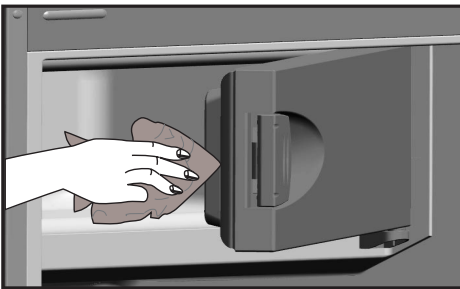
Stopping your product

If your thermostat is equipped with "0" position:

- Your product will stop operating when you turn the thermostat button to "0" (zero) position. Your product will not start unless to you turn the thermostat button to position "1" or one of the other positions again.

If your thermostat is equipped with "min" position:

- Unplug your product to stop it.



6 Maintenance and cleaning

- ⚠ Never use gasoline, benzene or similar substances for cleaning purposes.
- ⚠ We recommend that you unplug the appliance before cleaning.
- ⚠ Never use any sharp abrasive instrument, soap, household cleaner, detergent and wax polish for cleaning.
- ℹ Use lukewarm water to clean the cabinet of your refrigerator and wipe it dry.
- ℹ Use a damp cloth wrung out in a solution of one teaspoon of bicarbonate of soda to one pint of water to clean the interior and wipe it dry.
- ⚠ Make sure that no water enters the lamp housing and other electrical items.
- ⚠ If your refrigerator is not going to be used for a long period of time, unplug the power cable, remove all food, clean it and leave the door ajar.
- ℹ Check door seals regularly to ensure they are clean and free from food particles.
- ⚠ To remove door racks, remove all the contents and then simply push the door rack upwards from the base.

Protection of plastic surfaces

- ℹ Do not put the liquid oils or oil-cooked meals in your refrigerator in unsealed containers as they damage the plastic surfaces of your refrigerator. In case of spilling or smearing oil on the plastic surfaces, clean and rinse the relevant part of the surface at once with warm water.

7 Troubleshooting

Please review this list before calling the service. It might save you time and money. This list includes frequent complaints that are not arising from defective workmanship or material usage. Some of the features described here may not exist in your product.

The refrigerator does not operate.

- Is the refrigerator properly plugged in? Insert the plug to the wall socket.
- Is the fuse of the socket which your refrigerator is connected to or the main fuse blown out? Check the fuse.

Condensation on the side wall of the fridge compartment (MULTIZONE, COOL CONTROL and FLEXI ZONE).

- Very cold ambient conditions. Frequent opening and closing of the door. Highly humid ambient conditions. Storage of food containing liquid in open containers. Leaving the door ajar. Switching the thermostat to a colder degree.
- Decreasing the time the door left open or using it less frequently.
- Covering the food stored in open containers with a suitable material.
- Wipe the condensation using a dry cloth and check if it persists.

Compressor is not running

- Protective thermic of the compressor will blow out during sudden power failures or plug-out plug-ins as the refrigerant pressure in the cooling system of the refrigerator has not been balanced yet. Your refrigerator will start running approximately after 6 minutes. Please call the service if the refrigerator does not startup at the end of this period.
- The fridge is in defrost cycle. This is normal for a full-automatically defrosting refrigerator. Defrosting cycle occurs periodically.
- Your refrigerator is not plugged into the socket. Make sure that the plug is properly fit into the socket.
- Are the temperature adjustments correctly made?
- Power might be cut off.

The fridge is running frequently or for a long time.

- Your new product may be wider than the previous one. This is quite normal. Large refrigerators operate for a longer period of time.
- The ambient room temperature may be high. This is quite normal.
- The refrigerator might have been plugged in recently or might have been loaded with food. Cooling down of the refrigerator completely may last for a couple of hours longer.
- Large amounts of hot food might have been put in the refrigerator recently. Hot food causes longer running of the refrigerator until they reach the safe storage temperature.
- Doors might have been opened frequently or left ajar for a long time. The warm air that has entered into the refrigerator causes the refrigerator to run for longer periods. Open the doors less frequently.
- Freezer or fridge compartment door might have been left ajar. Check if the doors are tightly closed.
- The refrigerator is adjusted to a very low temperature. Adjust the refrigerator temperature to a warmer degree and wait until the temperature is achieved.
- Door seal of the fridge or freezer may be soiled, worn out, broken or not properly seated. Clean or replace the seal. Damaged/broken seal causes the refrigerator to run for a longer period of time in order to maintain the current temperature.

Freezer temperature is very low while the fridge temperature is sufficient.

- The freezer temperature is adjusted to a very low temperature. Adjust the freezer temperature to a warmer degree and check.

Fridge temperature is very low while the freezer temperature is sufficient.

- The fridge temperature might have been adjusted to a very low temperature. Adjust the fridge temperature to a warmer degree and check.

Food kept in the fridge compartment drawers are freezing.

- The fridge temperature might have been adjusted to a very low temperature. Adjust the fridge temperature to a warmer degree and check.

Temperature in the fridge or freezer is very high.
<ul style="list-style-type: none"> • The fridge temperature might have been adjusted to a very high degree. Fridge adjustment has an effect on the temperature of the freezer. Change the temperature of the fridge or freezer until the fridge or freezer temperature reaches to a sufficient level. • Doors might have been opened frequently or left ajar for a long time; open them less frequently. • Door might have been left ajar; close the door completely. • Large amount of hot food might have been put in the refrigerator recently. Wait until the fridge or freezer reaches the desired temperature. • The refrigerator might have been plugged in recently. Cooling down of the refrigerator completely takes time.
The operation noise increases when the refrigerator is running.
<ul style="list-style-type: none"> • The operating performance of the refrigerator may change due to the changes in the ambient temperature. It is normal and not a fault.
Vibrations or noise.
<ul style="list-style-type: none"> • The floor is not even or it is weak. The refrigerator rocks when moved slowly. Make sure that the floor is strong enough to carry the refrigerator, and level. • The noise may be caused by the items put onto the refrigerator. Items on top of the refrigerator should be removed.
There are noises coming from the refrigerator like liquid spilling or spraying.
<ul style="list-style-type: none"> • Liquid and gas flows happen in accordance with the operating principles of your refrigerator. It is normal and not a fault.
There is a noise like wind blowing.
<ul style="list-style-type: none"> • Fans are used in order to cool the refrigerator. It is normal and not a fault.
Condensation on the inner walls of refrigerator.
<ul style="list-style-type: none"> • Hot and humid weather increases icing and condensation. It is normal and not a fault. • Doors might have been left ajar; make sure that the doors are closed fully. • Doors might have been opened frequently or left ajar for a long time; open them less frequently.
Humidity occurs on the outside of the refrigerator or between the doors.
<ul style="list-style-type: none"> • There might be humidity in the air; this is quite normal in humid weather. When the humidity is less, condensation will disappear.
Bad odour inside the refrigerator.
<ul style="list-style-type: none"> • Inside of the refrigerator must be cleaned. Clean the inside of the refrigerator with a sponge, lukewarm water or carbonated water. • Some containers or package materials might cause the smell. Use a different container or different brand packaging material.

The door is not closing.

- Food packages may prevent the door's closing. Replace the packages that are obstructing the door.
- The refrigerator is not completely upright on the floor and rocking when slightly moved. Adjust the elevation screws.
- The floor is not level or strong. Make sure that the floor is level and capable to carry the refrigerator.

Crispers are stuck.

- The food might be touching the ceiling of the drawer. Rearrange food in the drawer.

请首先阅读本手册!

亲爱的顾客，
我们的产品使用先进设备生产，并通过严格的质量控制步骤检测，希望为您提供高效的服务。

因此，建议您在**使用本产品前仔细阅读本手册**，并妥善保管，以备日后参考。


本手册

- 帮助您快速、安全地使用本装置。
- 安装和操作本产品前，阅读本手册。
- 遵循说明，尤其是安全方面。
- 将手册置于触手可及之处，以便随时参考。
- 此外，也请阅读本产品附带的其它文件。

请注意，本手册可能也适用于其它型号。

符号及其说明

本手册包含下列符号：

 重要信息或者有用的使用提示。

 防止生命和财产危险的警告。

 电压警告。

可回收



符合 WEEE 指令和废物处置：

本产品符合 EU WEEE 指令

(2012/19/EU)。本产品带有报废电子电器设备 (WEEE) 的分类符号。

本产品采用可以重复利用和适合回收的优质零件和材料制成。在本产品使用寿命结束时，请勿将其作为日常的生活垃圾和其它废物进行处置。应将其送至回收电器电子设备的收集中心。有关这些收集中心的信息，请咨询当地的权力机构。

符合 RoHS 指令：

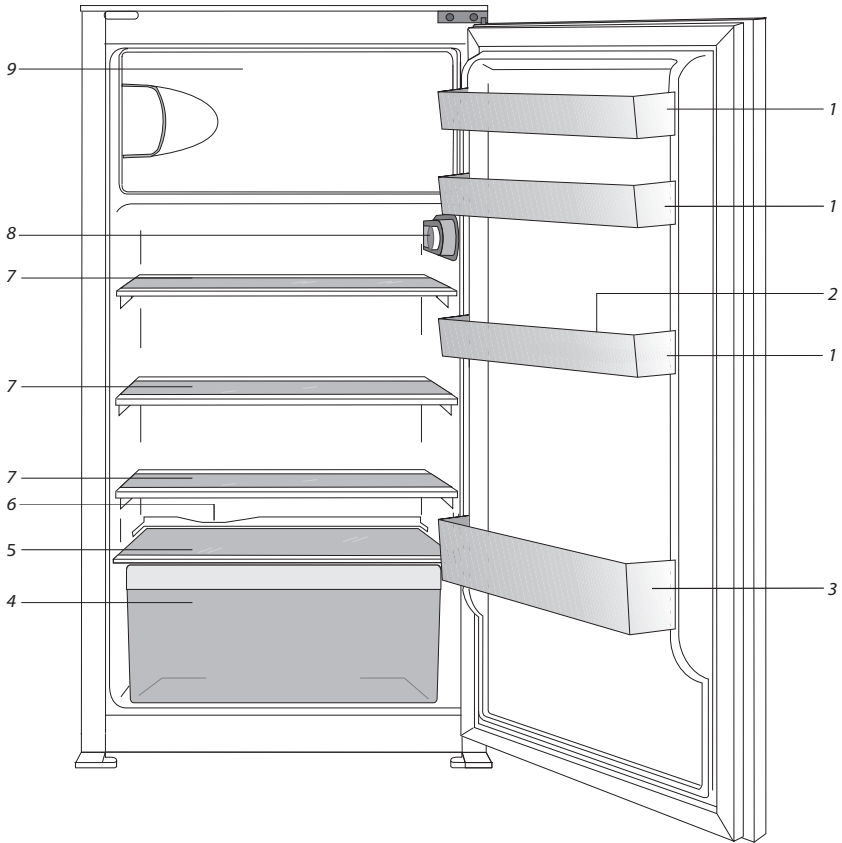
您选购的该款产品符合 EU RoHS 指令 (

2011/65/EU)。其不含有该指令中指定的有害和禁用材料。

目录

1 您的冰箱	3	4 准备	9
2 重要安全警告	4	5 使用冰箱	10
指定使用	4	调温器设置按钮	10
一般安全性	4	制冷	10
对于配备饮水机的产品:	5	冷冻	10
儿童安全	5	除霜	11
HCA 警告	5	机器停止工作	11
节能措施	5		
3 安装	6	6 维护和清洁	12
再次运输冰箱时考虑的事项	6	保护塑料表面	12
操作冰箱前	6		
电气连接	6	7 问题解决建议	17
处置包装	6		
处置旧冰箱	6		
放置和安装	6		
更换内部的灯泡	7		
反转冰箱门	8		

1 您的冰箱



- 1. 可调冰箱门搁架
- 2. 蛋托
- 3. 瓶架
- 4. 果蔬盒
- 5. 果蔬盒盖
- 6. 除霜水收集通道 - 排水管
- 7. 可移动搁架
- 8. 灯泡和调温器盒
- 9. a.) 冷冻室和冰托盘 (适用于 *** ** *** 型号)
b.) 冷冻食物室和冰托盘 (适用于 *** *** 型号)

① 本手册中的图片仅为示意性质，可能与您的产品不完全相符。如果主体零件没有包含在您购买的产品当中，表明其适用于其它型号。

2 重要安全警告

请遵循下列信息。否则，可能导致受伤或重大损坏。且所有的保修和可靠性承诺将失效。

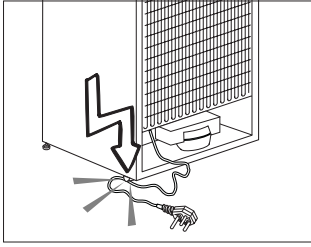
指定使用

本产品拟用于

- 室内和封闭的区域，例如，家庭环境；
- 在封闭的工作环境，例如，店铺和办公室；
- 在封闭的膳宿设施内，例如，农场，宾馆和膳宿公寓。
- 本产品不得在户外使用。

一般安全性

- 您想要处置/废弃本产品时，我们建议您咨询授权服务机构，以便了解必要的信息和授权机构。
- 对于与冰箱有关的所有问题和疑问，请咨询授权服务机构。在没有通知授权服务机构前，请勿自行干预或者让他人干预冰箱。
- 请勿立即食用从冷冻室中取出的锥形冰淇淋和方块冰。（这可能导致您的口腔冻伤。）
- 请勿使用冰箱上的零件，例如，将冰箱门作为支撑或梯子。
- 请勿使用冰箱内的电气装置。
- 请勿使用钻孔或切割工具损坏零件，制冷剂在这里循环。在蒸发器的气体通道、管道扩充件或者表面涂层被刺穿后，制冷剂可能流出，导致皮肤受到刺激和眼睛受伤。
- 请勿使用任何材料，覆盖或堵塞冰箱的通风孔。
- 电气设施必须由经授权的人员维修。无资质人员实施的维修会给用户带来危险。
- 如果发生任何故障，或者在实施维护或维修作业的过程中，应当通过关闭相关保险丝或者拔下插头，断开冰箱的电源。
- 拔下插头时，请勿拉拔电缆。
- 放置饮料时，注意盖牢瓶盖，且垂直放置。
- 切勿在冰箱内存放含有易燃和易爆物质的喷雾罐。
- 请勿使用机械装置或者其它手段，加速除霜过程，除非制造商建议这样做。
- 本装置并非设计供体力、感知力或脑力下降或经验和知识缺乏的人士（包括孩子）使用，除非有负责他们安全的人员给出有关装置之使用的监督或指导。
- 请勿操作受损的冰箱。如果有任何问题，请咨询维修代理。
- 只有您家中的接地系统符合标准时，才能担保冰箱的电气安全。
- 本产品淋雨、落雪、受到阳光照射和风吹在电气安全方面是危险的。
- 在电源线损坏时，请致电授权服务中心，以免发生任何危险。
- 安装过程中，切勿将冰箱的插头插入壁式插座。否则，可能出现严重的人身伤亡。
- 冰箱仅用于存放食物。其不得用于任何其它目的。
- 技术规范标签位于冰箱内左壁。
- 请勿将冰箱连接至节能系统，否则，可能导致冰箱受损。
- 如果冰箱配备有蓝色灯，请勿通过光学装置查看蓝光。
- 对于手动控制的冰箱，在发生电力故障后，请至少等待5分钟，才可以重新启动冰箱。
- 如果转让本产品，应当连同该操作手册一同移交给新用户。
- 运输冰箱时，避免导致电源线损坏。弯曲电缆可能导致起火。切勿在电源线上放置重物。为本产品插入插头时，请勿用潮湿的手接触插头。



- 如果壁式插座松脱，请勿连接冰箱插头。
- 出于安全的原因，请勿将水直接喷到本产品内部或外部的零件上。
- 请勿在冰箱附近喷洒含有易燃气体的物质，例如，丙烷气，以免发生起火或爆炸之危险。
- 切勿将充满水的容器放在冰箱顶部，否则，可能导致触电或起火。
- 冰箱不可装入过多的食物。如果过度装满，在您打开冰箱门时，食物可能掉落，导致您受伤和冰箱受损。请勿在冰箱顶部放置物体，在打开或关闭冰箱门时，其容易掉落下来。
- 请勿在冰箱内存放要求精确温度的物品（疫苗、对温度敏感的药品，科学材料等）。
- 如果长时间不使用冰箱，应当拔下插头。电源线可能存在的问题会导致起火。
- 应定期清洁插头尖；否则，可能导致起火。
- 应定期使用干抹布清洁插头尖；否则，可能导致起火。
- 如果可调支腿没有适当固定在地面上，冰箱可能移动。在地面上适当固定可调支腿可以防止冰箱移动。
- 移动冰箱时，请勿在门把手上用。否则，其可能折断。
- 必须将该产品与其它冰箱或制冷器并排放置时，这些装置之间的距离至少应为 8cm。否则，相邻的侧壁可能会出现冷凝水。

对于配备饮水机的产品：

水源的压力应至少为 1 巴。水源的压力最高为 8 巴。

- 只能使用饮用水。

儿童安全

- 如果门上有锁，钥匙应置于儿童不可及之处。
- 必须看管儿童，以免其摆弄本产品。

HCA 警告

如果本产品的制冷系统含有 R600a：

此气体易燃。因此，在使用和运输过程中，注意不要损坏制冷系统和管道。如果发生损坏，本产品应远离可能导致着火的潜在火源，并给其所在的房间通风。

如果本产品的制冷系统含有 R134a，可以忽略该警告。

本产品中使用的气体类型在位于冰箱内部左壁上的铭牌上注明。

废弃该产品时，请勿将其投入火中。

节能措施

- 请勿长时间敞开冰箱门。
- 请勿在冰箱内放置灼热的食物或饮料。
- 冰箱不可过载，以致妨碍内部的空气循环。
- 请勿在受到阳光直射或者靠近发热装置（例如，烤箱、洗碗机或暖气）的位置安装冰箱。
- 注意在封闭的容器内保存食品。
- 对于配备冷冻室的产品；在拆下冷冻室的搁架或抽屉后，可以在冰箱的冷冻室放置最大数量的食物。声明的冰箱能耗值是在拆卸了冷冻室搁架或抽屉，并在放入最大数量的食物后确定的。根据要冷冻的食物形状和大小使用搁架或抽屉是安全的。
- 在冷藏室为冷冻的食物解冻具有节能的效果，并可以有效保持食品质量。

3 安装

⚠ 请注意，如果没有遵循本手册中的信息，制造商对于发生的损害不承担任何责任。

再次运输冰箱时考虑的事项

1. 在任何运输前，冰箱必须清空和保持清洁。
2. 重新包装前，冰箱内的搁板、附件、果蔬盒等必须用胶带牢牢固定，防止摇晃。
3. 包装必须使用厚胶带和粗大的绳子扎紧，并遵循包装上印刷的运输规则。

请牢记.....

每种回收材料对于大自然和我们国家的资源而言都是不可缺少的。

如果您希望对回收包装材料有所作为，可以从环境机构或者当地权力部门获取详细信息。

操作冰箱前

开始使用冰箱前，检查下列内容：

1. 冰箱内部是否干燥，和空气能否在冰箱后面自由流通？
2. 按照“维护和清洁”章节中的建议，清洁冰箱内部。
3. 将冰箱插头插入壁式插座。冷藏室门打开时，内部相关的灯会亮起。
4. 在压缩机启动时，您将听到一个声音。即使压缩机没有运转，制冷系统中密封的液体和气体也可能产生噪声，这是正常的。
5. 可能感觉到冰箱的前边温度升高。这是正常的。这些区域设计保持温暖，以免发生冷凝。

电气连接

将本品连接至由适当容量之保险丝保护的接地插座。

重要信息：

- 连接必须符合国家规定。
- 安装后，电源线插头必须触手可及。
- 指定的电压必须等于电源电压。
- 连接时，请勿使用扩充电缆和多路插头。

⚠ 受损的电源线必须由具备资格的电工更换。

⚠ 本品在维修妥当前，切勿操作！有触电的危险！

处置包装

包装材料可能给儿童带来危险。将包装材料置于儿童不可及之处，或者根据垃圾说明进行分类和处置。请勿随日常生活垃圾一起处置。

冰箱的包装使用可回收材料制成。

处置旧冰箱

处置旧冰箱时，请不要给环境带来任何危害。

- 有关冰箱的处置，您可以咨询授权经销商或者市政部门的垃圾收集中心。

处置冰箱前，请切断电源插头，而且，如果门上有锁的话，请务必使之不可用，以免儿童有任何危险。

放置和安装

1. 将冰箱安装在方便使用的位置。
2. 冰箱应远离热源和潮湿的场所并避免受到阳光直射。
3. 在冰箱周围必须有适当的通风，以便获得高效的操作。

如果冰箱放置在墙壁内的凹口，距离天花板和墙壁必须至少 5 cm。

如果地板上覆盖有地毯，本产品必须从地面升高 2.5 cm。

4. 将冰箱放置在平坦的地板表面，防止晃动。

5. 请勿将冰箱置于低于 10° C 的环境温度。

更换内部的灯泡

如果要更换冰箱中用于照明的灯泡/LED，请拨打授权服务热线。

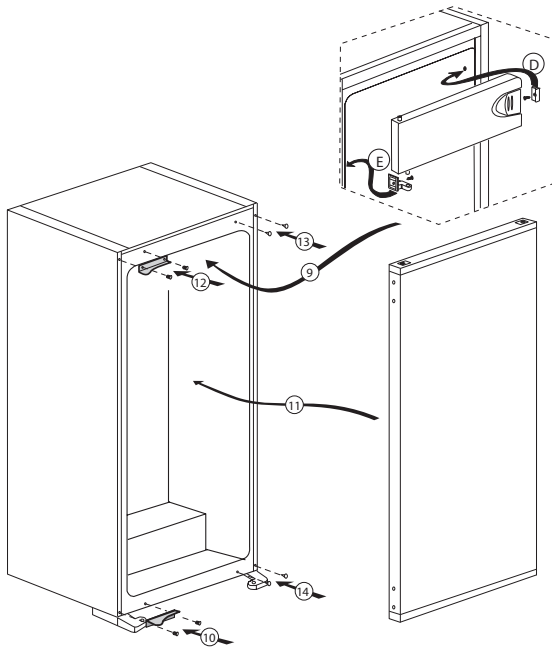
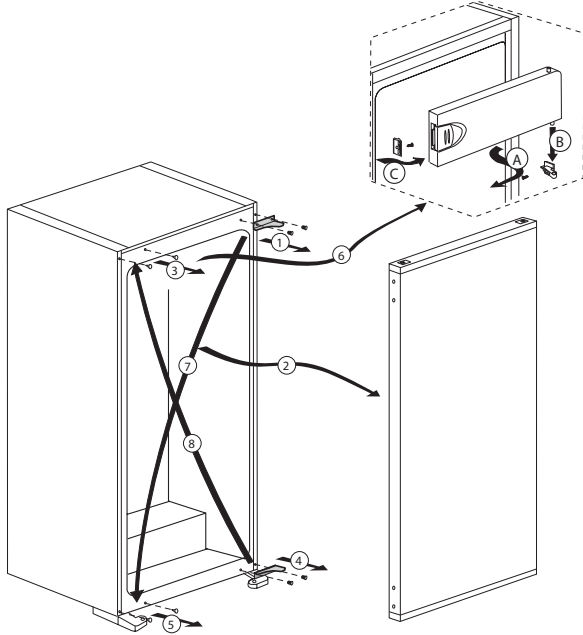
本产品使用的灯泡不适用于家庭房间照明。

本产品使用此灯泡是为了协助用户安全舒适将食物放置于冰箱/冰柜中。

本产品中使用的灯泡能抵抗极端的物理环境，如低于-20°C的温度。

反转冰箱门

按数字顺序继续

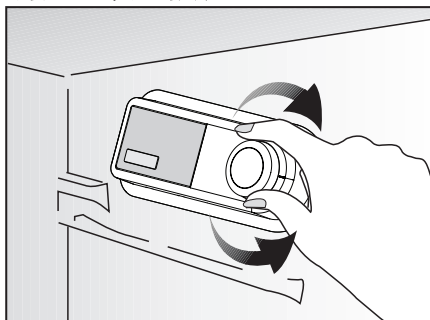


4 准备

- ❶ 冰箱的安装位置距离热源（例如，炉圈、烤箱、中央加热器和炉灶）至少 30 cm，距离电烤箱至少 5 cm，且不得受到阳光直射。
- ❶ 安装冰箱的房间温度至少为 10° C。考虑到冰箱的效率，不建议在比这凉爽的条件下操作冰箱。
- ❶ 请务必彻底清洁冰箱的内部。
- ❶ 如果并排安装两台冰箱，必须至少间隔 2 cm。
- ❶ 初次操作冰箱时，在最初的六个小时内，请遵循下列说明。
 - 不应经常打开冰箱门。
 - 必须在里面没有任何食物时空置操作。
 - 请勿拔下冰箱的插头。如果发生的电力故障不在您控制范围内，请参见“问题解决建议”章节中的警告。
- ❶ 应当妥善保管原始包装和泡沫材料，以备日后运输或移动。

5 使用冰箱

调温器设置按钮



操作温度使用温度控制器调节。



1 = 最低制冷设置 (最热设置)

5 = 最高制冷设置 (最冷设置)

(或)

最低 = 最低制冷设置

(最热设置)

最高 = 最高制冷设置

(最冷设置)

冷藏室内的平均温度应当在 $+5^{\circ}\text{C}$ 左右。

请根据需要的温度，选择设置。

请注意，制冷区将有不同的温度。

紧挨着蔬菜隔室上面的区域最冷。

内部的温度也取决于环境温度、打开冰箱门的频率以及内部存放的食物数量。

经常打开冰箱门会导致内部的温度升高。

因此，建议在使用后，尽快关闭冰箱门。

冰箱内部的温度会由于下列因素发生变动：

- 季节温度
- 经常打开和长时间敞开冰箱门
- 放入冰箱的食物没有提前冷却到室温
- 冰箱在房间内的位置（例如，受到阳光照射）。
- 您可以使用调温器，调整内部温度由于此类因素发生的变化。调温器周围的数字表示制冷程度。
- 如果环境温度高于 32°C ，将调温器按钮旋转到最大位置。
- 如果环境温度低于 25°C ，将调温器按钮旋转到最小位置。

制冷

食物储藏

冷藏室用于短时间存放新鲜食品和饮料。

冷冻

冷冻食物

冷冻室标记有 *** ** *** 符号。

您可以使用该设备冷冻新鲜食物，或者贮存预先冷冻的食物。

请参阅食品包装上给出的建议。

存放冷冻食品

冷冻食物室标记有 **** *** 符号。

冷冻室适合存放预先冷冻的食物。应当始终遵循食品包装上注明的贮藏建议。

除霜

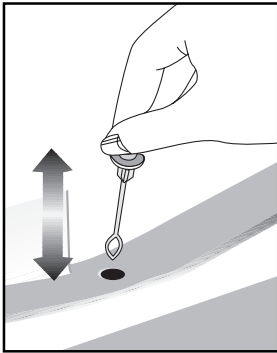
A) 冷藏室

冷藏室执行全自动除霜。

冰箱制冷时，冷藏室内部的后壁可能出现水滴和最大 7-8 mm 的霜花。这是制冷系统导致的，属正常现象。由于后壁配备有全自动除霜系统，所以，在特定的间隔，将执行全自动除霜，消除结霜现象。用户不需要刮擦霜花或者去除水滴。

除霜产生的水流过集水槽，通过排水管流进蒸发器，并在这里自行挥发。

定期检查排水管是否堵塞，并在必要时，用小棒通过孔疏通之。



B) 冷冻室

深冷冻室不执行自动除霜，以防止冷冻食物变质。

由于具有专用的除霜收集盆，所以，除霜操作非常简单，而且整洁。

每年执行两次除霜，或者在霜层有 7 (1/4") mm 左右厚时实施除霜。

若要启动除霜步骤，首先在电源插座关闭该装置，并拔下电源插头。

所有食物应该使用多层报纸包裹好，并存放在凉爽的位置（例如，冰箱或食橱）。

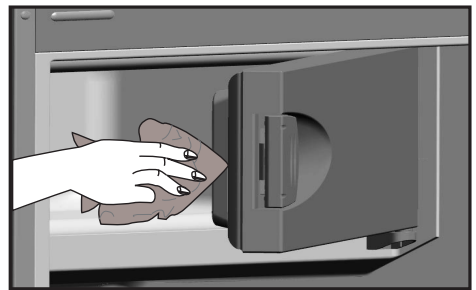
可以在冰箱内放置装有温水的容器，以加速除霜过程。

除霜时，请勿使用带尖或者边缘锋利的物体，例如，刀子或叉子。

除霜时，请勿使用吹风机、电加热器或者其它类似电器。

用海绵清除冷冻室底部收集的除霜水。完成除霜后，彻底擦干冰箱内部。

在壁式插座插入插头，并开启电源。



机器停止工作

如果恒温器具有“0”位置：

- 将恒温器按钮转动到“0”（零）位置时，该产品将停止工作。如果没有再次将恒温器按钮转动到位置“1”或其它位置，该产品将不启动。

如果恒温器具有“min”（最低）位置：

- 可拔下电源插头，使之停止工作。

6 维护和清洁

- ⚠ 清洁时，切勿使用汽油、苯或类似物质。
- ⚠ 我们建议您在清洁前，拔下本装置的插头。
- ⚠ 清洁时，切勿使用任何锋利的研磨器具，肥皂、家用清洁剂、洗涤剂 and 蜡光剂。
- ❗ 使用温水清洁冰箱的外壳，并擦干。
- ❗ 在一品脱水中放入一茶匙小苏打，使用这一溶液清洗抹布，用绞干的抹布清洁冰箱内部，并擦干。
- ⚠ 确保没有水进入灯罩和其它电气零件。
- ⚠ 如果长时间不使用冰箱，拔下电源线，取出所有食物，清洁之，并使冰箱门微开。
- ❗ 定期检查门密封情况，确保其清洁，和没有食品颗粒。
- ⚠ 若要拆卸门架，取出所有内容物，然后简单地从底部向上推门架即可。

保护塑料表面

- ❗ 请勿将非密封容器中盛放的液体油或者用油烹饪的食物放入冰箱，这类食物可能损坏冰箱的塑料表面。如果食用油喷溅或者涂抹在塑料表面上，立即用温水，清洁和洗涤表面的相关部分。

7 问题解决建议

致电服务机构前，请审核该清单。其可以节约您的时间和资金。该清单包含经常出现的、并非工艺和材料使用缺陷导致之投诉。这里描述的某些特点可能不会在您的产品中出现。

冰箱不工作。

- 冰箱插头是否适当插入？在壁式插座插入插头。
- 冰箱连接的插座之保险丝或者主保险丝是否熔断？检查保险丝。

冷藏室的侧壁出现冷凝水（多功能区、制冷控制和变温区）。

- 环境条件很冷。经常打开和关闭冰箱门。环境条件高度潮湿。在敞开的容器中存放含有液体的食物。冰箱门未关严。将自动调温器切换为更冷的程度。
- 减少冰箱门打开的时间，或者减少使用频率。
- 使用合适的材料，覆盖保存在开口容器中的食物。
- 使用干抹布擦拭冷凝水，请检查冷凝水是否再次出现。

压缩机不工作

- 在突然断电或者拔下和插入接头时，由于冰箱制冷系统中的冷媒压力尚未平衡，所以，压缩机的保护热将会吹出。冰箱大约在 6 分钟后开始运行。在该时间结束后，如果冰箱仍未启动，请致电服务机构。
- 冰箱处于除霜循环。对于全自动除霜冰箱而言，这是正常的。定期执行除霜循环。
- 冰箱插头没有插入插座。确保插头适当插入插座。
- 是否正确调整了温度？
- 可能发生了断电。

冰箱经常运行或者运行较长时间。

- 您的冰箱可能比之前的冰箱宽。这是很正常的。较大的冰箱需要工作较长的时间。
- 环境温度可能很高。这是很正常的。
- 冰箱插头可能插入不久，或者新近装入了食物。冰箱完全制冷可能需要多花费数小时时间。
- 最近可能在冰箱中放入了大量灼热食物。灼热的食物导致冰箱运行较长时间，直至达到安全的储存温度。
- 冰箱门可能经常打开，或者长时间未关严。进入冰箱的热空气导致冰箱运行较长时间。减少打开冰箱门的次数。
- 冷冻室或者冷藏室的门可能没有关严。检查门是否牢牢关闭。
- 冰箱调整为很低的温度。调高冰箱的温度，并等待直至达到这一温度。
- 冷藏室或冷冻室的门密封可能脏污、磨损，断裂或者没有适当固定好。清洁或更换密封。损坏/断裂的密封导致冰箱运行较长的时间，才能保持当前的温度。

冷冻室温度很低，而冷藏室温度足够。

- 冷冻室调整为很低的温度。调高冷冻室的温度，并检查。

冷藏室温度很低，而冷冻室温度足够。

- 冷藏室可能被调整为很低的温度。调高冷藏室的温度，并检查。

在冷藏室保存的食物上冻。
<ul style="list-style-type: none"> 冷藏室可能被调整为很低的温度。调高冷藏室的温度，并检查。
冷藏室或者冷冻室的温度很高。
<ul style="list-style-type: none"> 冷藏室可能被调整为很高的温度。冷藏室调整对冷冻室的温度有影响。变更冷藏室或冷冻室的温度，直至冷藏室或冷冻室的温度达到充分的水平。 冰箱门可能经常打开，或者长时间未关严；请减少打开冰箱门的次数。 冰箱门未关严；完全关闭冰箱门。 最近可能在冰箱中放入了大量灼热食物。等待直至冷藏室或冷冻室达到必要的温度。 冰箱可能插入插头不久。冰箱完全冷却需要些时间。
冰箱工作时，噪声增加。
<ul style="list-style-type: none"> 冰箱的操作性能可能会视环境温度的变化而有所不同。这是正常的，并非故障。
振动或噪声。
<ul style="list-style-type: none"> 地面不平坦或者不牢固。冰箱在缓慢移动时，会摇晃。确保地面足够坚固，能够承载冰箱，且水平。 噪声可能是由于放在冰箱上的物品导致的。应当取下冰箱顶部的物品。
冰箱发出类似液体喷溅或者喷射的噪音。
<ul style="list-style-type: none"> 根据冰箱的操作原理，发生了液体和气体流动。这是正常的，并非故障。
有类似风吹的噪声。
<ul style="list-style-type: none"> 为了使冰箱冷却，使用了风扇。这是正常的，并非故障。
冰箱内壁出现冷凝水。
<ul style="list-style-type: none"> 炎热和潮湿的天气增加了结冰和冷凝情况。这是正常的，并非故障。 门可能未关严；确保完全关闭冰箱门。 冰箱门可能经常打开，或者长时间未关严；请减少打开冰箱门的次数。
冰箱外面或者冰箱门之间有湿气。
<ul style="list-style-type: none"> 空气可能过于潮湿；在潮湿的天气里，这是完全正常的。在湿度下降时，冷凝水会消失。
冰箱内出现异味。
<ul style="list-style-type: none"> 必须清洁冰箱内部。用海绵蘸取温水或者苏打水，清洁冰箱内部。 某些容器或者包装材料可能导致出现异味。使用不同的容器或者不同品牌的包装材料。
冰箱门未关。
<ul style="list-style-type: none"> 食品包装可能妨碍关闭冰箱门。更换妨碍关闭冰箱门的包装。 冰箱没有在地面上完全直立，在略微移动时会摇动。调整升降螺丝。 地面不水平或者不够牢固。确保地面水平，并能够承载冰箱。
果蔬盒卡住
<ul style="list-style-type: none"> 食物可能接触到了抽屉顶板。重新摆放抽屉中的食物。

