

三菱重工抽濕機

使用說明書

中文

MITSUBISHI HEAVY INDUSTRIES DEHUMIDIFIER

ENGLISH



USER'S MANUAL

MDC20W-H
MDC25W-H
MDC30B-H

承蒙選購三菱重工抽濕機，深表感謝！為了使產品長久保持其良好的運轉性能，在您開始使用本產品之前，務請仔細閱讀本說明書。閱後應將它妥善保管好，以備必要時查閱。

Thank you for purchasing a MITSUBISHI HEAVY INDUSTRIES-JINLING AIR-CONDITIONERS CO.LTD. Dehumidifier . To get the best long-lasting performance, please read and follow this User's Manual carefully before using your dehumidifier. After reading, please store the Manual in a safe place and refer to it for operational questions or in the event of any irregularities.



安全警示.....	1
常見問題.....	3
安裝.....	4
組件.....	6
控制面板.....	7
功能說明.....	9
排水.....	11
乾鞋和收納電源線.....	13
保養.....	14
故障排除.....	15
技術參數.....	16



安全警示

為了您和您家人的健康，請在使用本機前仔細閱讀以下內容：

要求：

- ◆ 請將該家電置於平坦的空地，保持家電與周圍事物之間至少有50釐米的距離。
- ◆ 切勿將本機放置於水或者其他液體中。
- ◆ 如果電源線損壞，必須由專業人員或電工進行更換，以避免危險。
- ◆ 該家電應按照相應國家佈線規範進行安裝。
- ◆ 在停止使用，重置或清潔本機以及長期不使用時，請拔掉電源。
- ◆ 請在規定電壓下使用。
- ◆ 本機僅供室內使用，請勿做其他用途。
- ◆ 請勿置重物於本機之上。
- ◆ 重啟本機前請清空水箱以免溢濺。
- ◆ 請勿傾斜以免溢出的水損壞本機。
- ◆ 請勿放置廢棒、硬物於機內，避免錯誤及損壞的發生。
- ◆ 發生異常時（如發出焦味等），請關閉本機並拔下電源線。
- ◆ 如果電源線軟線損壞，為了避免危險，必須由製造商、其維修部或類似部門的專業人員更換。
- ◆ 該家電的使用者必須年滿8歲。體弱者，感觀能力弱者或者心理素質低下者必須要在瞭解正確使用方法和危害的情況下監督使用。禁止兒童玩耍。兒童需在有監督的情況下方可清理和維護該器具。

禁止：

- ▲ 請勿將本機置於發熱裝置（火焰或加熱器等）附近。
- ▲ 請勿以插上或拔掉插頭來開啟或關閉本機。
- ▲ 不要在本機附近使用殺蟲噴霧劑或其他可燃性物質。
- ▲ 勿用尖銳的東西劃傷本機外觀。
- ▲ 勿將油或水濺入本機。
- ▲ 勿用水清洗本機，用半濕的軟布擦拭即可。
- ▲ 勿用諸如苯、汽油、酒精等之類的化學溶劑擦拭本機。若機體確實很髒，請使用中性的清潔劑擦洗。
- ▲ 請勿將機器倒置。



安全警示

維護：

- ▲ 在清潔或其他維護之前，抽濕機必須與電源斷開。
- ▲ 不恰當的抽濕機使用方式或對外機的損壞可能會導致危險的UV燈輻射。即使是小劑量的UV燈輻射也可能對眼睛和皮膚造成傷害。
- ▲ 更換UV燈前，必須切斷電源。
- ▲ 在打開帶有可進行用戶維護的紫外線輻射危險標誌的門和檢修板之前，建議斷開電源。
- ▲ UV燈型號：41101-00390，DC 12V, 3.6mW。
- ▲ 不得拆除帶有紫外線輻射危險標誌的UV燈屏障。
- ▲ 請勿在設備外操作UV燈。

常見問題

Q: 為何冬天抽濕機水箱中存水較少?

- 在冬天，氣溫低，空氣乾燥。較之夏天，抽濕機的除濕能力劇烈下降，這並非故障。

Q: 為何抽濕機無法運轉或突然停止運轉?

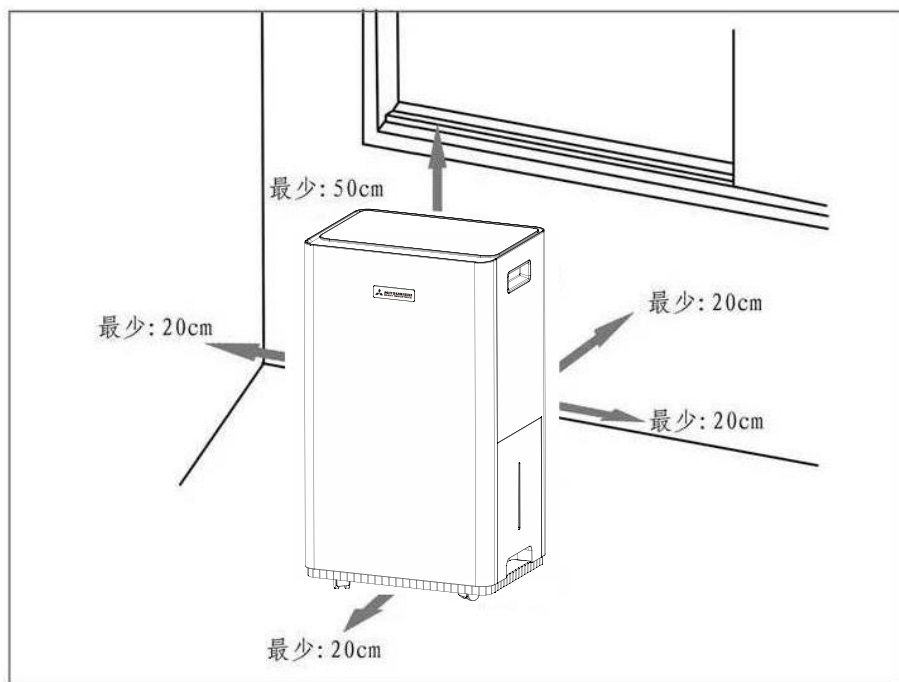
- 本機可能處於水滿，或者水箱沒裝好狀態，倒掉水箱裏的水，或者重新按照正確方式把水箱裝好即可。
- 可能此時處於“抽濕模式”環境溫度較低或較高（當環境溫度低於5℃或高於32℃可能無法抽濕）。
機器的使用環境溫度為5-32℃，相對濕度30%-80%。
最佳使用溫度為16-32℃。

Q: 為何送風口吹出熱風?

- 本機抽取室內的空氣，由抽濕單元將其冷卻，溫度降低到凝露點以下，凝結成水滴，水滴最後落入水箱，經過抽濕的空氣再由回溫單元升溫，這樣做能夠降低能耗，也加快抽濕的速度，所以排出即為熱風，這並非故障。

安裝

- ◆ 運轉之前請將水箱中的水倒掉。
- ◆ 運轉中請儘量少開門窗，這樣做可以節省能源。
- ◆ 安裝抽濕機的時候，務必在本機周圍留下一定的空間，要求上方最少50釐米，前後左右最少20釐米。
- ◆ 本機在使用時發現噪音大時：
建議在本機下墊上墊子或減震橡膠板等，這樣可以減少震動和噪音，還能減少木地板或地毯的凹陷。

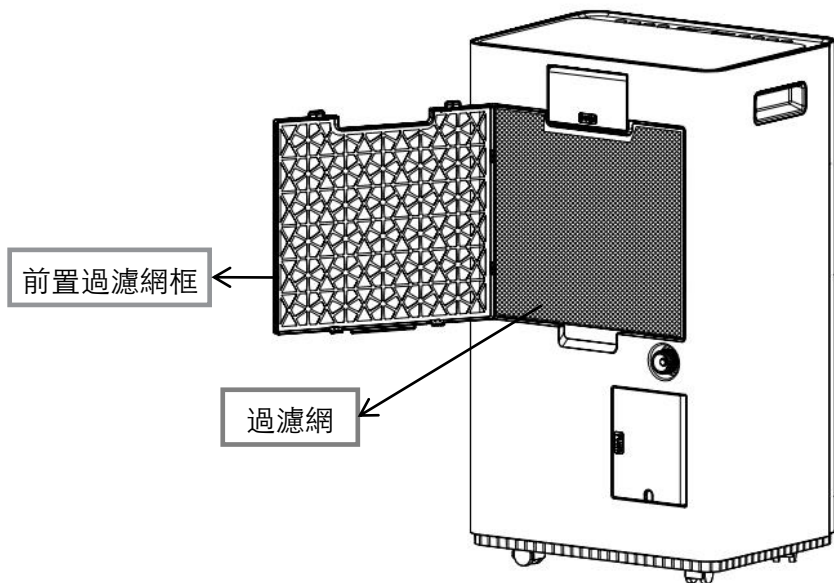


HEPA過濾網安裝

將活性炭或HEPA過濾網安裝於過濾網框，這樣可以淨化空氣。

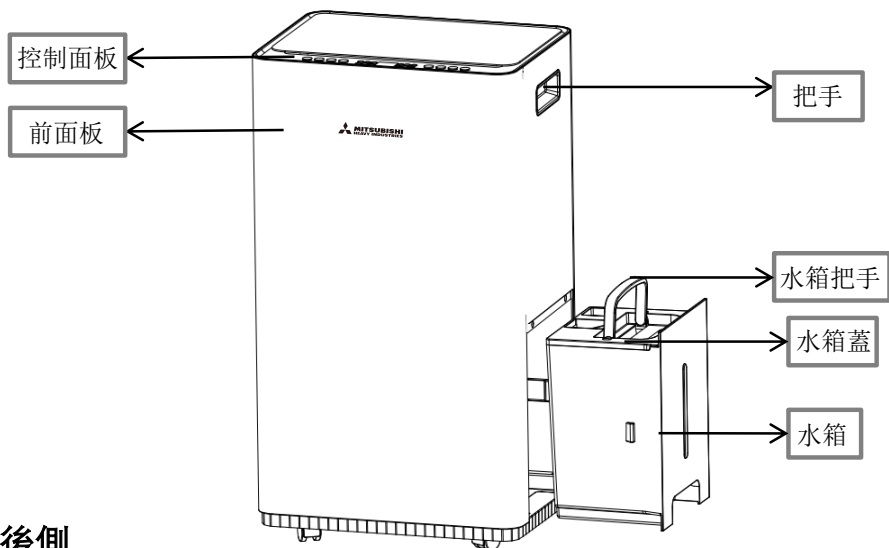
- ◆ 取下機身後過濾網框。
- ◆ 將所配備的HEPA過濾網裝入後面板。
- ◆ 將過濾網框裝回整機。

HEPA過濾網為選配件，用戶可自行選擇是否安裝。

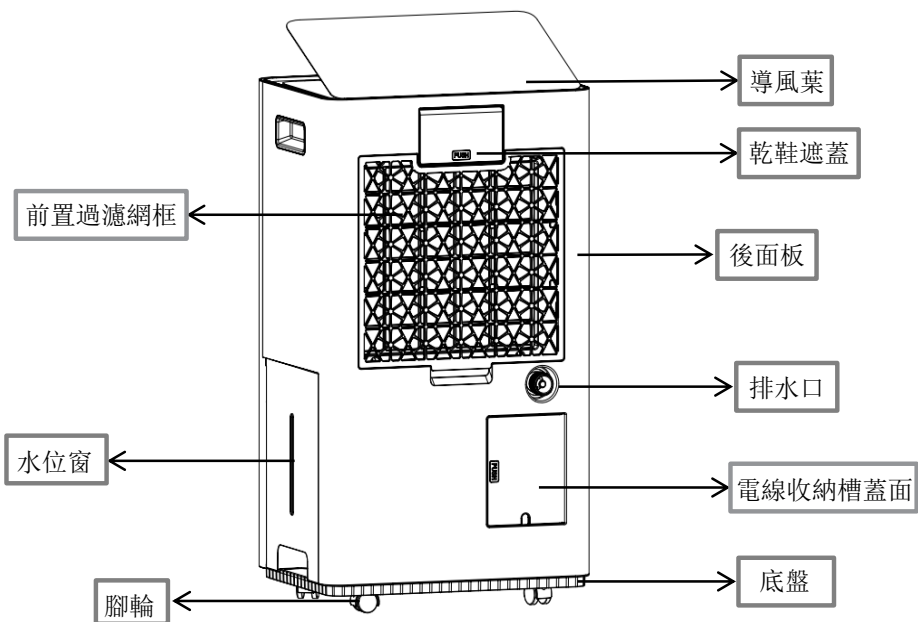


組件

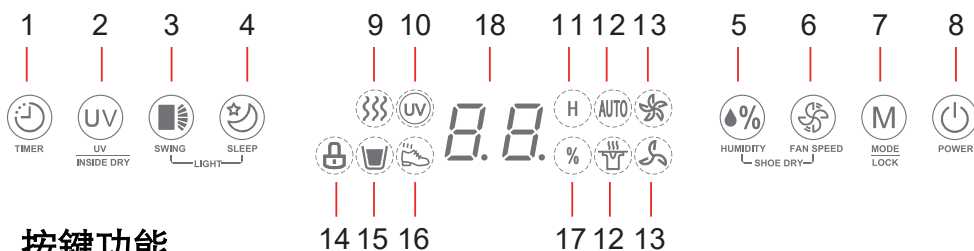
前側



後側



控制面板



按鍵功能

顯示	功能	描述
1	 定時鍵	按此鍵可設置機器定時開關。定時模式下，調整時間為0~24小時，每按一次調整1小時。如果要取消定時設置，確認後按定時鍵。
2	 UV燈鍵	按此鍵開啓或者關閉UV功能。長按3秒可開啓或者關閉機器的機內乾燥功能。
3	 擺風鍵	按此鍵開啓或者關閉擺風功能。同時按下此鍵和睡眠鍵可開啓或者關閉濕度提示氛圍燈。
4	 睡眠鍵	按此鍵可開啓或者關閉睡眠模式。
5	 濕度設置鍵	在自動抽濕模式下，濕度可設置在30% -80%之間，每按一次可調節5%的濕度。同時按下此鍵和風速鍵，可開啓或者關閉乾鞋功能。
6	 風速調節鍵	自動抽濕和連續抽濕模式下，風速可在高風和低風之間調節。
7	 模式鍵	開機或定時啟動時，按此鍵可選擇自動抽濕模式、連續抽濕模式。按住模式鍵3秒可打開或者關閉兒童鎖功能。
8	 電源鍵	按此鍵可以啟動或者關閉機器。

控制面板

顯示屏圖案

顯示	功能	描述
9		機內乾燥圖示 在機內乾燥功能下顯示此圖示，長按UV鍵3秒顯示。
10		UV燈圖示 UV功能操作指示圖案，按UV鍵顯示此圖案。
11		定時圖示 定時開關功能指示模式，可通過設置定時開關顯示。
12		模式圖示 上方為自動抽濕圖案，選擇自動抽濕模式顯示此圖案。 下方為連續抽濕模式圖案，選擇連續抽濕模式顯示此圖案。
13		風速圖示 上方為高風速圖示，選擇高風速時顯示此圖示。 下方為低風速圖示，選擇低風速時顯示此圖示。
14		兒童鎖圖示 兒童鎖功能操作指示圖示，按3秒模式鍵顯示此圖示。
15		水滿圖示 當水箱裝滿水時，顯示此圖示。
16		乾鞋圖示 鞋子烘乾功能操作指示圖示，同時按下濕度設置鍵和風速鍵顯示此圖示。
17		濕度圖示 濕度顯示圖示。
18		電子顯示區域 待機狀態和工作狀態顯示環境的濕度，設置狀態顯示設置的濕度，定時狀態顯示定時的時間。

功能說明

定時關機的設置

- 在機器運行狀態下，按[定時鍵]進入定時狀態，通過定時鍵來調節時間從0小時到24小時，每按一次則設定時間增加1小時，超過24小時後，數字回到0，開始循環，也可以一直按住定時鍵，時間向前增加循環變化，設定的時間到時，機器自動關機。設定完成後，如果定時鍵在5秒內無任何動作，則表示確認定時時間。定時關機狀態時，顯示圖標“H”保持常亮。

定時開機的設置

- 在機器待機狀態下，按[定時鍵]進入定時狀態，通過定時鍵調節所需定時時間的調法與定時關機一樣，設定完成後，如果[定時鍵]在5秒內無任何動作，則表示確認定時時間。

自動抽濕模式

- 自動抽濕，選中此選項，如果房間濕度>設定濕度+5%，則壓縮機啟動，風機設定風速運行，如果房間濕度<設定濕度-5%，則壓縮機停止，風機停止運行，如果房間濕度在設定濕度+5%到設定濕度-5%之間，整機按原運行狀態運行，設定濕度的初始值為50%。

連續抽濕模式

- 連續抽濕模式，選中此選項，則不管房間裏相對濕度如何，壓縮機啟動，風機默認高速運行，風速可調節。

機內乾燥功能

- 長按下UV鍵3秒開啟機內乾燥功能，能防止機內長霉，再長按UV鍵3秒則關閉此功能。（若不主動關閉，機內乾燥功能會一直運作）

童鎖功能

- 長按模式鍵3秒可啟動或關閉童鎖功能。（童鎖功能啟動後操作面板所有按鍵失效）

功能說明

UV燈功能

● 在抽濕機運行時，按下UV燈鍵開啟或者關閉UV燈功能，同時UV燈功能按照開啟20分鐘、關閉20分鐘迴圈運行。在迴圈過程中，開啟狀態時UV燈亮，關閉狀態時UV燈滅。UV功能運行時，若想停止迴圈，再次按下UV鍵即可關閉UV功能。若抽濕機停止或發生故障，則UV功能也停止運行。UV功能在機內乾燥模式、化霜過程、睡眠模式以及乾鞋模式時起效。

乾鞋功能

● 按住濕度鍵和風速鍵可開啟或關閉乾鞋功能。

睡眠模式

● 按下睡眠鍵啟動睡眠功能時，顯示圖示“SL”亮；再次按下此鍵可退出睡眠模式，即返回睡眠功能啟動前的狀態。進入睡眠模式時，默認顯示濕度為50%並閃爍，閃爍5次後轉為環境濕度顯示，此時濕度無法調整，風速為低風。運行5秒後，所有顯示燈滅，功能運行正常。此時按下任何按鍵則顯示恢復正常，再次按下按鍵按照按鍵功能執行。當環境濕度 $HR \geq 55\%$ ，則壓縮機啟動，抽濕機低風運行； $HR \leq 45\%$ ，則壓縮機停止，風機低風運行；在 $55\% > HR > 45\%$ 中間狀態不處理，以當前工作狀態運行。在睡眠模式中若您想開啟乾鞋功能，可退出睡眠選擇乾鞋功能運行。同時，在睡眠模式中遇到水滿狀態，水滿報警不會產生蜂鳴聲。

濕度提示氛圍燈功能

● 按住擺風鍵和睡眠鍵可開啟或關閉濕度提示氛圍燈。此功能用以提示當前室內濕度。

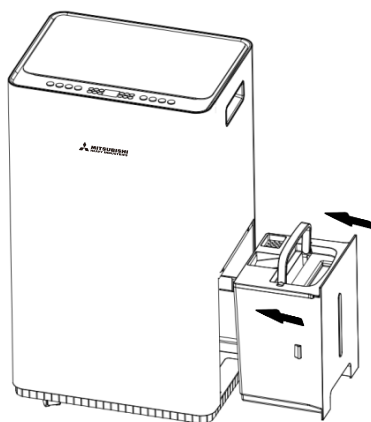
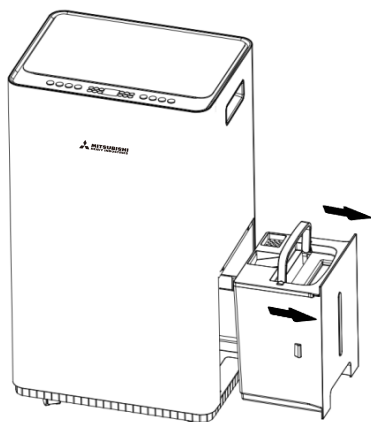
濕度氛圍燈功能說明	
氛圍燈背光顯示	環境濕度
紅色	$HR \geq 65\%$
綠色	$60\% > HR \geq 40\%$
藍色	$HR < 35\%$
備註：首次上電開機，環境濕度在35%~40%和60%~65%區間均顯示綠色，之後根據濕度變化進行判斷。	

排水

1、水箱的使用

當水箱充滿水時，控制面板上的水滿圖示閃爍(此時整機將停止運轉)，蜂鳴器響十聲提醒使用者，直至水被倒掉。

- ◆ 將手伸進水箱下方的凹陷中，輕輕取出水箱。
- ◆ 將水從排水口倒出。
- ◆ 倒完水後，把水箱輕輕地放回正確的位置再重新開啟抽濕機。



注意:當水箱水滿時請把水箱中的水清空，在把水箱放入機體前，請確認浮子是否能上下滑動，然後將其推入到位。

排水

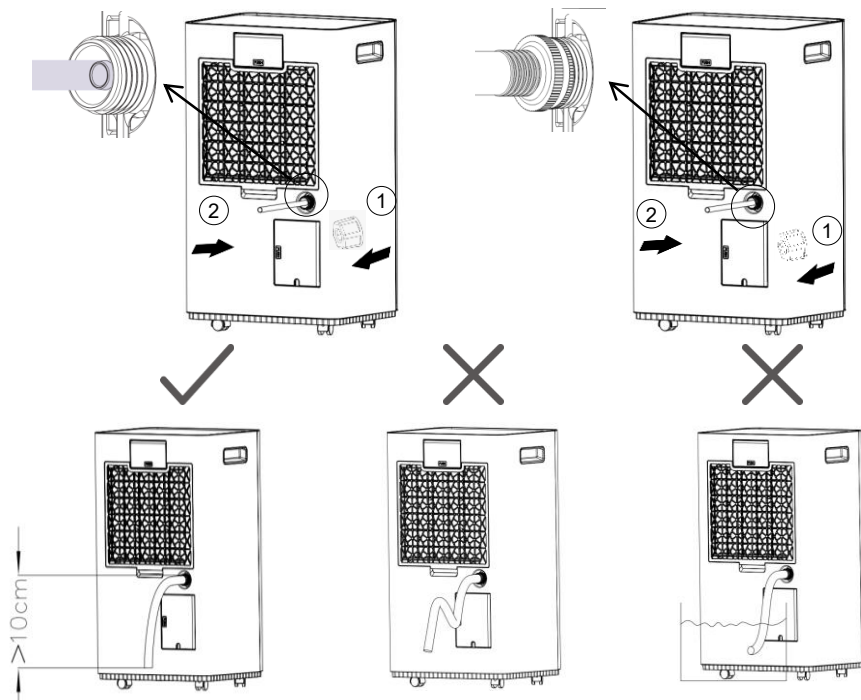
2、連續排水方式

如果您不想經常去倒水箱裏的水，可以在本機後面連接標配的0.6米排水管（內徑9.0mm）。也可準備具有標準螺紋的花園軟管，其具有 $1\frac{1}{16}$ 英寸（1.0625英寸或26.98毫米）的外徑和11.5TPI的螺距。

- 1 在後面找到排水口位置，擰下水蓋。
- 2 將9.0毫米水管連接到排水口上。

或

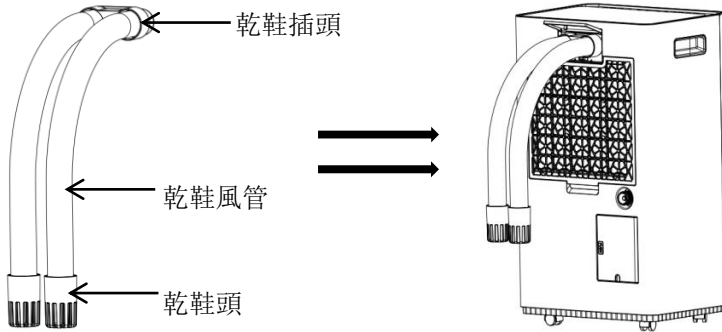
- 1 在後面找到排水口位置，擰下水蓋。
- 2 將標準螺紋的花園軟管旋緊在螺紋排水口上。



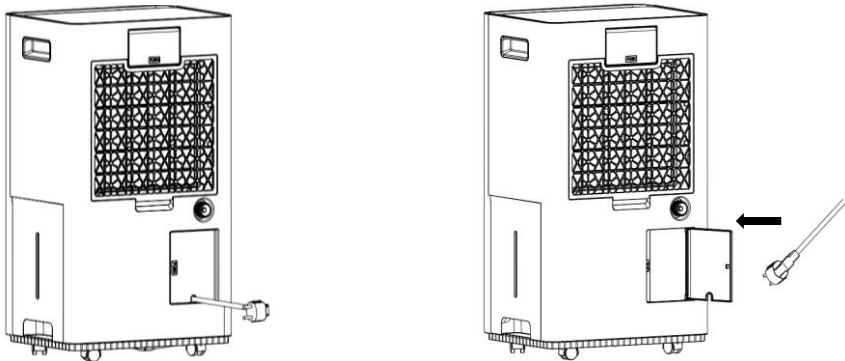
注意：外接水管不可過長（建議長度小於0.6米），水管末端高度須低於機身排水口高度10釐米以上，水管要保持順暢，否則可能無法正常排水。

乾鞋和收納電源線

◆**乾鞋：**乾鞋插頭可與乾鞋風管、乾鞋頭共同組成乾鞋裝置，使用乾鞋裝置時先打開位於後面板的乾鞋遮蓋，然後將乾鞋裝置插入後面板排風口進行乾鞋。乾鞋完畢後則依次拔除。



◆**收納電源線：**先將電源線插頭放入收納槽，然後將線體盤起整個放入，最後關上收納槽蓋面。反之取出電源線時，與上面的步驟相反。



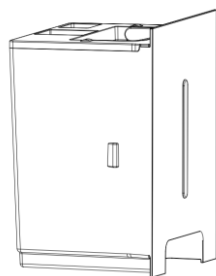
◆**溫馨提示：**請將蓋板打開到最大，便於您操作。另外，請注意手不要與蓋板內卡扣摩擦，避免劃傷皮膚。

保養

注意事項：

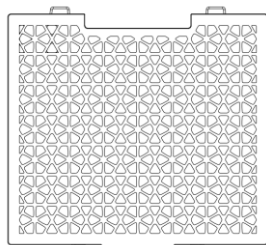
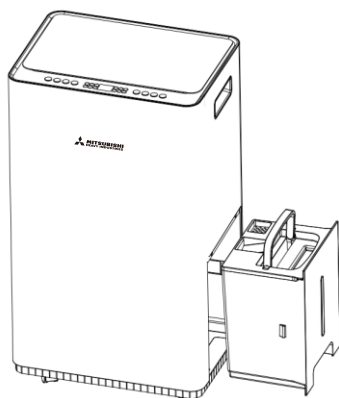
- 在維護或修理前請先拔掉電源，以避免觸電。
- 如果長時間不用抽濕機，請拔掉電源。
- 請不要使用酒精，汽油，苯等化學溶劑清潔機體。

- ◆ 請定時用沾潔淨水的軟布清洗水箱，以避免裏面發霉。



- ◆ 用濕布輕輕地擦拭機體表面，不要使用清潔劑或研磨劑，以免傷害塑膠表面。

- ◆ 至少兩周清洗一次可洗的前置過濾網框，簡單地用潔淨水清洗就可以了，不要使用化學溶劑或熱水清洗。



故障排除

1.如果抽濕機出現了下列問題，請參考以下對應解決方法。

狀況	可能的原因	解決方法
抽濕機不運轉	電源插頭是否掉了？	把電源插頭插在插座上
	水箱的水是否滿了？（水箱的水滿了或水箱放置的位置不對）	把水箱裏的水倒掉，然後再把水箱裝回去
	環境溫度過低或高	建議在5-32℃環境下使用
抽濕功能不起作用	房間的溫度或濕度是否太低了？	在乾燥的季節，抽濕能力將會降低
	出風口和進風口是否被阻擋？	將阻擋出風口和進風口的物品清理乾淨
不出風	空氣過濾網是否被阻塞了？	請參考第12頁保養注意事項中過濾網清潔方法進行清理
運行時噪音異常	是否放置不妥，以至本機傾斜或不穩？	請把抽濕機放置於平穩的地方使用
	空氣過濾網是否被阻塞了？	請參考第12頁保養注意事項中過濾網清潔方法進行清理
	有“哧哧”聲	冷媒流動的聲音屬正常現象
有水漏出	排水管連接鬆弛	接好排水管
	排水系統受阻	清除阻塞物物理順水管
有結霜現象	環境溫度較低,處於待化霜狀態。	屬正常的功能現象，本機具有自動除霜功能

顯示代碼說明：

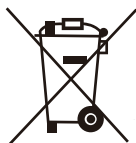
顯示代碼	說明
FL	整機處於水滿報警
E1	盤管感測器檢測異常
E2	室溫感測器檢測異常
P1	整機處於除霜狀態,屬於正常現象
L0	溫度過低，屬於正常現象，說明此時環境溫度太低
HI	溫度過高，屬於正常現象，說明此時環境溫度太高
EF	直流風機回饋故障，適用直流風機機型

技術參數

1. 熔斷絲參數

電壓: 250VAC

電流: 3.15A



處理:

請勿將廢棄的產品與其他未經分類的廢棄物放置在一起，此種廢棄物應當單獨放置以備其他特殊使用。

注釋一：以上性能是在不含HEPA過濾網狀態下測試所得。HEPA過濾網為選配件，用戶可自行選擇是否安裝。

注釋二：一切數據只供參考，產品功能或因技術提升而改動，恕不另行通知。

客戶服務中心:

電郵地址: 8210service@gilman-group.com

請即上網登記保用: www.dchtoolbox.com

網址: www.gilman-group.com

Contents



Safety warning.....	17
Q&A.....	19
Installation.....	20
Components.....	22
Control panel.....	23
Function description	25
Drainage.....	28
Shoes drying kit and power cord storage.....	30
Maintenance.....	31
Troubleshooting.....	32
Technical parameter.....	34



Safety Warning

For your safety, please read the following contents carefully before using this dehumidifier:

Requirements:

- ◆ Please place the appliance on a flat open area, and keep a distance of at least 50cm between the appliance and surrounding things.
- ◆ Do not place this dehumidifier in water or other liquids.
- ◆ If the power cord is damaged, in order to avoid danger, it must be replaced by a professional from the manufacturer, its maintenance department or similar.
- ◆ The appliance should be installed in accordance with the appropriate national wiring codes.
- ◆ When stop, reset or clean this dehumidifier, please cut off the power.
- ◆ Please use at the specified voltage.
- ◆ This dehumidifier can only be used indoor, please do not use for other purposes.
- ◆ Please do not place heavy objects on this dehumidifier.
- ◆ Please empty water tank to prevent overflow and spill before restarting this dehumidifier.
- ◆ Please do not incline in case that the spilled water damages this dehumidifier.
- ◆ Please do not place waste rods and hard objects into the dehumidifier in case that error and damage occur.
- ◆ When an abnormality occurs (such as a burning smell), please turn off the machine and unplug the power cord.
- ◆ If the supply cord is damaged, it must be replaced by the manufacturer, its service agent or similarly qualified persons in order to avoid hazard.
- ◆ The user of this appliance must be at least 8 years old. The infirm, the weak sensory ability or the low psychological quality must supervise the use under the condition of understanding the correct use method and harm. Children are not allowed to play. Children need to be supervised to clean and maintain this appliance.

Prohibition:

- ◆ Please do not place this dehumidifier close to heating devices (flame or heaters, etc.).
- ◆ Please do not turn on or turn off this dehumidifier by plugging in or pulling out the plug.
- ◆ Do not use insecticide spray or other flammable substances in the vicinity of this dehumidifier.
- ◆ Do not scratch appearance of this dehumidifier with sharp matters.
- ◆ Do not splash oil or water into this dehumidifier.
- ◆ Do not clean this dehumidifier with water, please wipe it with subhumid soft cloth.
- ◆ Do not wipe this dehumidifier with chemical solvents such as benzene, gasoline and alcohol, etc. If this dehumidifier is indeed dirty, please wipe with neutral detergent.
- ◆ Please do not place this dehumidifier upside down.



Safety Warning

Maintenance:

- ◆ Prior to cleaning or other maintenance, the appliance must be disconnected from the supply mains.
- ◆ Unintended use of the appliance or damage to the housing may result in the escape of dangerous UV radiation. UV radiation may, even in small doses, cause harm to the eyes and skin.
- ◆ The appliance must be disconnected from the supply before replacing the UV light.
- ◆ Before opening doors and access panels bearing the ultraviolet radiation hazard symbol for the conducting user maintenance, it is recommended to disconnect the power.
- ◆ UV light model : 41101-00390, DC 12V, 3.6mW.
- ◆ UV barriers bearing the ultraviolet radiation hazard symbol should not be removed.
- ◆ Do not operate the UV light outside of the appliance.

Q&A

Q: Why is there less water in the dehumidifier water tank in winter?

- In winter temperature is low and air is dry. In comparison with summer, the dehumidification ability of the dehumidifier decreases remarkably, this is not a fault.

Q: Why the dehumidifier can not run or stops running suddenly?

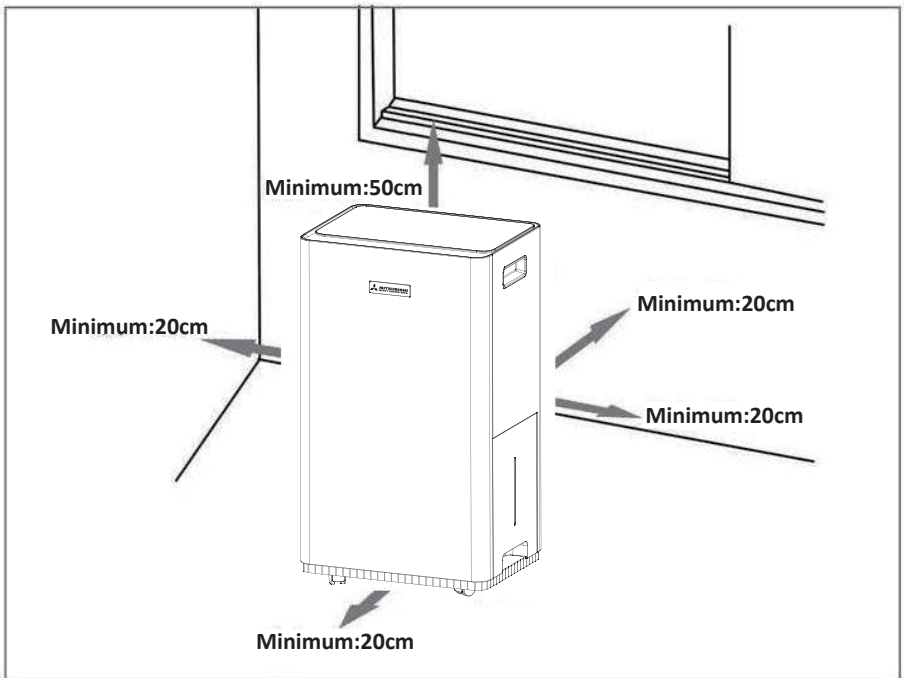
- This dehumidifier may be full of water or water tank is not installed properly, drain the water in water tank, or re-install water tank in correct way.
- At the moment the dehumidifier may be in the “ dehumidification mode ”, the ambient temperature is lower or higher than its operation requested temperature (dehumidification cannot be performed when the ambient temperature is $< 5^{\circ}\text{C}$ or $> 32^{\circ}\text{C}$). This dehumidifier operation requested temperature is $5\text{-}32^{\circ}\text{C}$, and the relative humidity is 30%-80%. The optimal temperature for use is $16\text{-}32^{\circ}\text{C}$.

Q: Why is hot air blown out from air supply outlet?

- The machine extracts air from the room and cools it down by the dehumidification unit. It lowers the temperature below the condensation point and condenses into water droplets, which finally fall into the water tank. The dehumidified air is heated up by the temperature returning unit. This can reduce energy consumption, but also speed up the speed of dehumidification, so the discharge is hot air, which is not a fault.

Installation

- ◆ Please drain the water from water tank before running.
- ◆ During running please do not open doors and windows as much as possible since this can save energy resources.
- ◆ When the dehumidifier is installed, a certain space must be reserved around this dehumidifier, the minimum distance above is 50cm, and the minimum distance in front/rear and left/right is 20cm as required, as shown in figure below.
- ◆ When big noise is found during operation of this dehumidifier : It is recommended inserting pads or damping rubber sheets, etc . below this dehumidifier, this can reduce vibration and noise, and can also reduce sinking of wood floor or carpet.

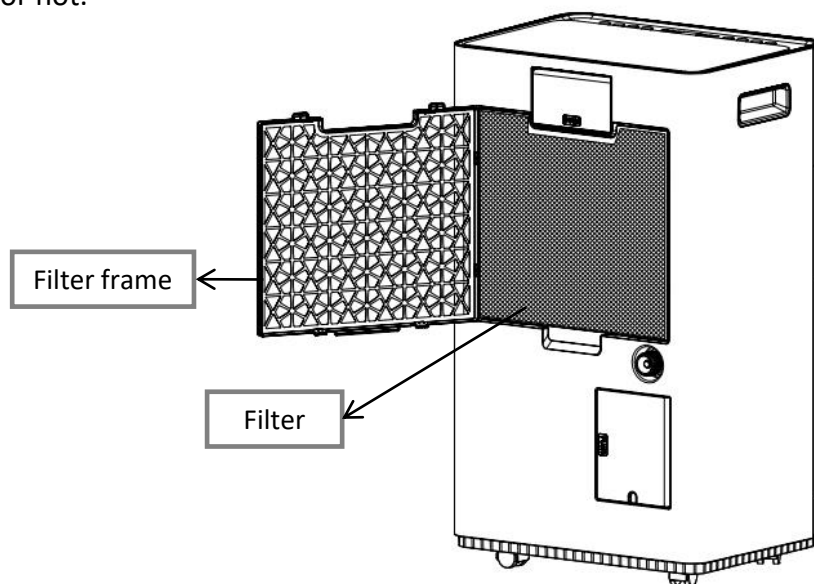


HEPA filter installation

Install the HEPA filter to the filter frame, which can purify the air.

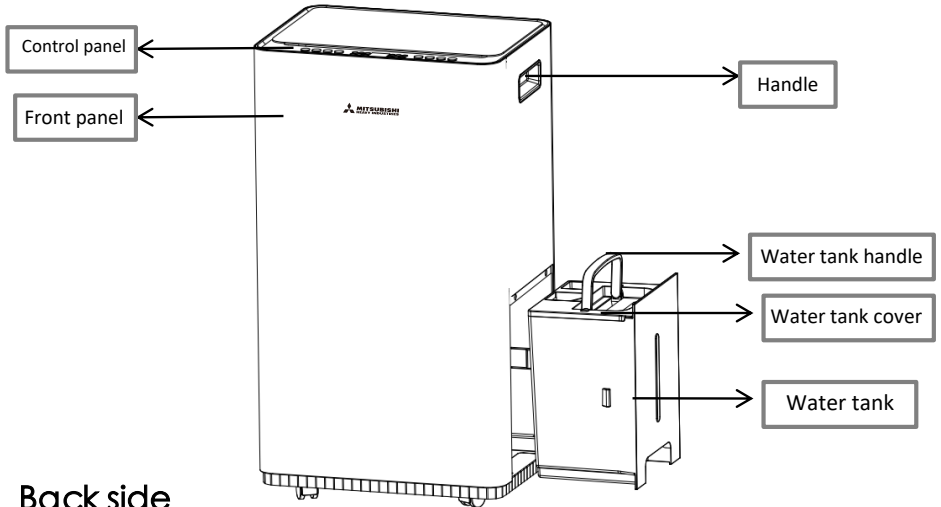
- ◆ Remove the rear filter frame from the machine.
- ◆ Install the HEPA filter into the rear panel.
- ◆ Put the filter frame back to the machine.

The HEPA filter is optional. Users can choose whether to install it or not.

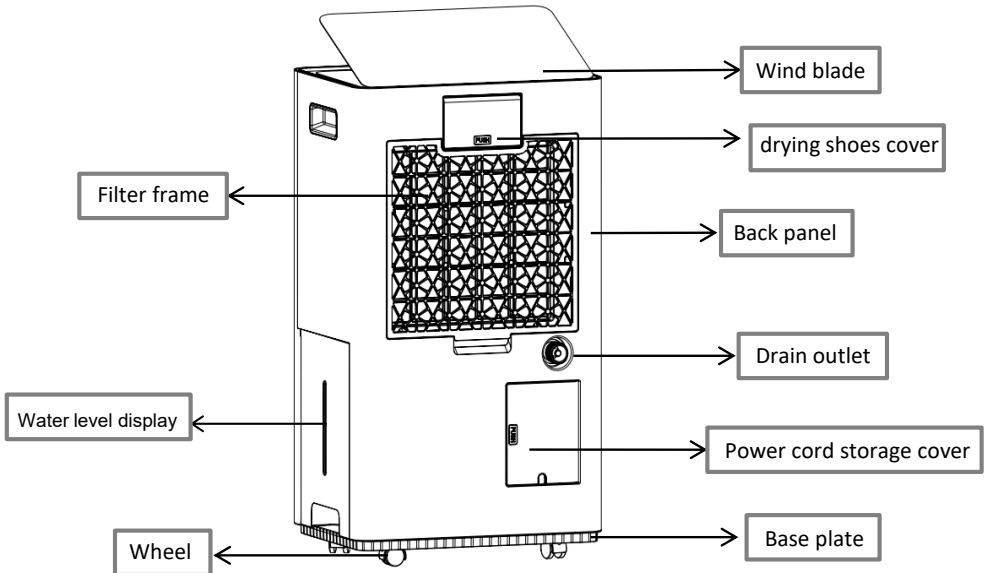


Components

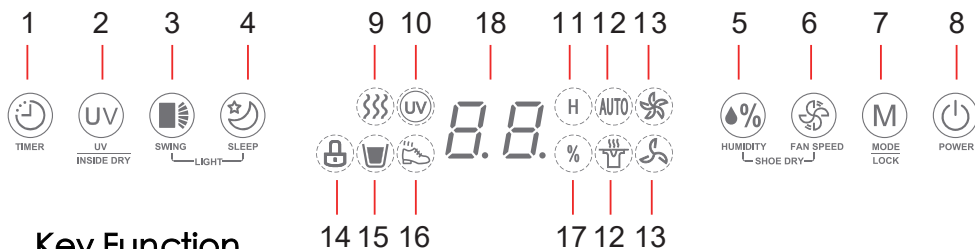
Front side











Back side



Control panel













Key Function

Display	Function	Description
1	 Timer key	Press this key to set the machine timing on/off. In the timing mode, the adjustment time is from 0-24 hours, adjust 1 hour per press. If you want to cancel the timing setting, press the timing key when the timing setting is confirmed.
2	 UV key	Press this key to turn on/off the UV function, long press this key for 3s to turn on/off the drying function inside the machine.
3	 Swing key	Press this key to turn on/off the swing function; press and hold this key and the sleep key at the same time to turn on/off the Digital humidity indicator (LED light) .
4	 Sleep key	Press this key to turn on / off the sleep mode.
5	 Humidity setting key	Under auto dehumidification mode, the humidity can be set between 30% -80%, and each press adjust 5% humidity. Press this key and the fan speed key at the same time to turn on/off the shoes drying function.
6	 Fan speed key	In auto and continuous dehumidification modes, the wind speed can be selected between high speed and low speed.
7	 Mode key	During startup or timer startup, press this key to select automatic dehumidification, continuous dehumidification and other modes. Press and hold the mode key 3S to turn on/off the child lock function.
8	 Power key	Press this key to turn the machine on and off.

Control panel

Display Icon

	Display	Function	Description
9		Inside drying icon	Under inside drying function display this icon, long press UV key for 3s to display.
10		UV icon	UV function operation indication pattern, press UV key to display this pattern.
11		Timer icon	Timing on/off function indication pattern, which can be displayed by setting the timing on/off.
12		Mode icon	The upper part is the automatic dehumidification pattern, select the automatic dehumidification mode to display this pattern; the bottom is the continuous dehumidification pattern, select the continuous dehumidification mode to display this pattern.
13		Fan speed icon	The upper part is the high fan speed icon, select the high fan speed to display this icon; the lower part is the low fan speed icon, select the low fan speed to display this icon.
14		Child lock icon	Child lock function operation indication pattern, press the mode key for 3S to display this icon.
15		Water full icon	This icon is displayed when the water tank is full of water.
16		Shoes drying icon	Shoes drying function operation indication pattern, press the humidity setting key and the fan speed key at the same time to display this pattern.
17		Humidity icon	Humidity display pattern.
18		Digital display area	Standby status and working status display ambient humidity, set status display set humidity, and timing status display timing.

Function description

Timer off setting

- When the dehumidifier is running, press the [Timer key] to adjust time from 0h to 24h, pressing the key once to increase the setting time by 1h, after the setting time exceeds 24h, the figure returns to 0 to start cycle. The Timer key can also be pressed all the time, the time increases and changes circularly, when the set time expires, the dehumidifier turns off automatically. After the setting is completed, if the Timer key no action within 5s, the set time is confirmed. In timer off state, the Timer icon is continuously on.

Timer on setting

- When the dehumidifier is in standby state, the method for adjustment of setting time by the [Timer key] is the same as timer off. After the setting is completed, if the Timer key no action within 5s, the set time is confirmed. In timer on state, the Timer icon is continuously on, and the set time is displayed on control panel.

AUTO mode

- Select AUTO dehumidification, if the room humidity is 5% higher than the set humidity, the compressor will start and the fan will run at the set speed. If the room humidity is lower than the set humidity by 5%, then the compressor and fan will stop. If the humidity of the room is between +5% and -5% of the set humidity, the whole machine runs in the original operating state, and the initial value of the set humidity is 50%.

CONTINUOUS mode

- Select CONTINUOUS dehumidification, no matter how the relative humidity in the room is, the compressor starts, the fan runs at high speed in default, fan speed can be adjusted.

Function description

Inside drying mode

- Press and hold the UV key for 3s to turn on the inside drying function, which can prevent mildew growing in the machine. Press and hold the UV key for 3s to turn off this function. (Inside drying operation will not stop if it is not closed manually.)

Child lock function

- Press and hold the mode key for 3S to turn on/off the child lock function. (All keys on the operation panel are disabled after the child lock function is activated).

UV function

- When the fan is running, press the UV key to turn on / off the UV function, and the UV function runs circularly according to the turn-on for 20 minutes and the turn-off for 20 minutes. During the cycle, the UV light turns on in the on state and turns off in the off state. When the UV function is running, if you want to stop the cycle, press the UV key again to turn off the UV function. If the fan stops or fails, the UV function will also stop running. The UV function works in the in-machine drying mode, defrosting process, sleeping mode and shoe drying mode.

Shoes drying function

- Press the humidity key and the fan speed key at the same time to turn on or turn off the shoes drying function.

Sleep mode

- When the sleep key is pressed to start the function, the display icon "SL" lights up ; Press this key again to exit the sleep mode, that is, to return to the state before the sleep function is started. When entering the sleep mode, the default display humidity is 50% and flashes. After flashing for 5 times, the display will be changed to ambient humidity. At this time, the humidity can't be adjusted, and the wind speed is low. After 5 seconds of operation, all the display lights go out and the functions run normally.

Function description

At this time, the display will return to normal when any key is pressed. Press the key again to follow the key function. When the ambient humidity $HR \geq 55\%$, the compressor starts and the fan runs in low wind; $HR \leq 45\%$, then the compressor stops and the fan runs in low wind ; If it is in the intermediate state of $55\% > HR > 45\%$, it will not be processed, and it will run in the current working state. In the sleep mode, if you want to turn on the shoe drying function, you can exit the sleep selection shoe drying function. At the same time, when the water is full in the sleep mode, the water full alarm will not produce a beep.

Digital humidity indicator (LED light)

- Press the Swing key and Sleep key at the same time to turn on or turn off the digital humidity indicator (LED light). It is used to illustrate the ambient humidity.

Digital Humidity Indicator Mechanism	
Light color	Ambient humidity detected
Red	$HR \geq 65\%$
Green	$60\% > HR \geq 40\%$
Blue	$HR < 35\%$

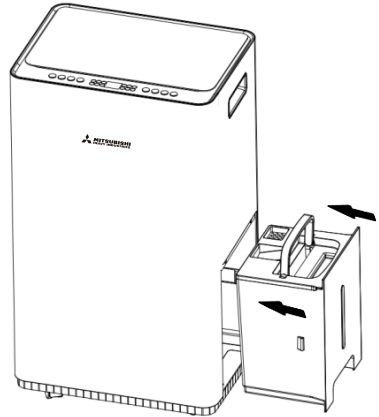
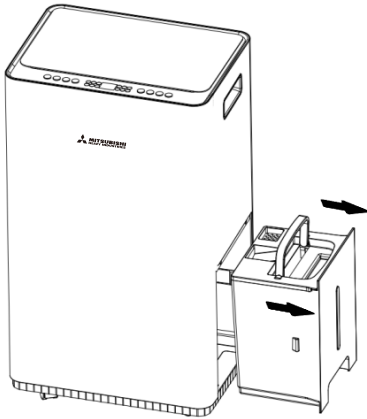
Remarks: When powered on for the first time, it will display green color when the ambient humidity is in the range of $35\% \sim 40\%$ and $60\% \sim 65\%$, and then judge and change color according to the humidity change.

Drainage

1、 Use of water tank

When the water tank is full of water, the full water icon on display flashes (The machine will stop running at this time), the BUZZER sounds for 10 times to remind the user till water is drained.

- ◆ Put your hand into the clasp under the side tank, and gently remove the tank
- ◆ The water is poured out from the drain port.
- ◆ Gently return the water tank to the correct position before turning on the dehumidifier again.



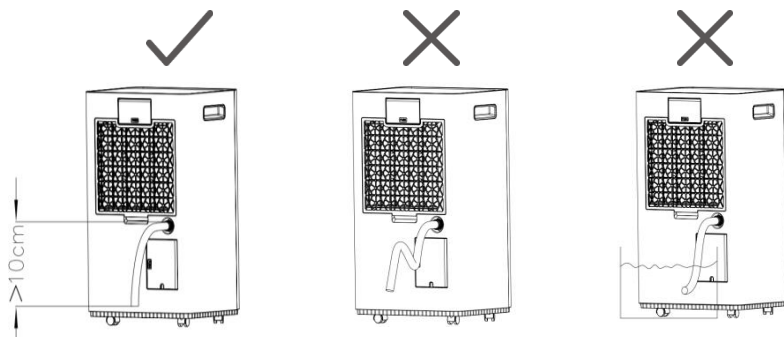
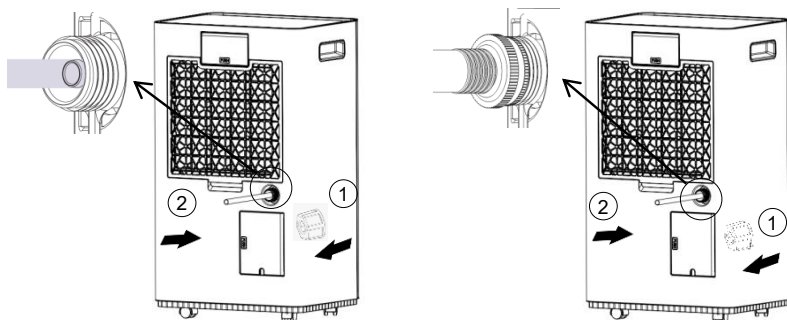
Attention: when the water tank is full of water, please empty it. Before putting the water tank into the dehumidifier, please confirm whether the floater rotates flexibly or not, and then push it in position.

Drainage

2、 Continuous drainage

If you don't want to fill the tank frequently, you can connect the standard 0.6-meter drain pipe at the back of the unit. Garden hoses with standard threads can also be prepared with an outer diameter of 1 inch (1.0625 inches or 26.98mm) and a pitch of 11.5TPI.

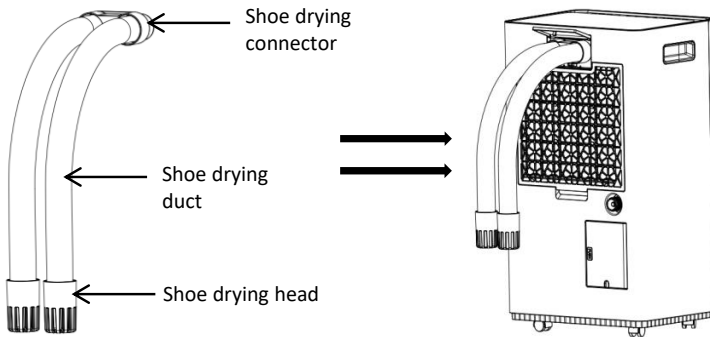
- 1 Locate the drain outlet at the back, unscrew the drain cover. or
- 2 Connect the 9.0mm water pipe to the drain.
- 1 Locate the drain outlet at the back, unscrew the drain cover.
- 2 Screw the standard threaded garden hose onto the threaded drain.



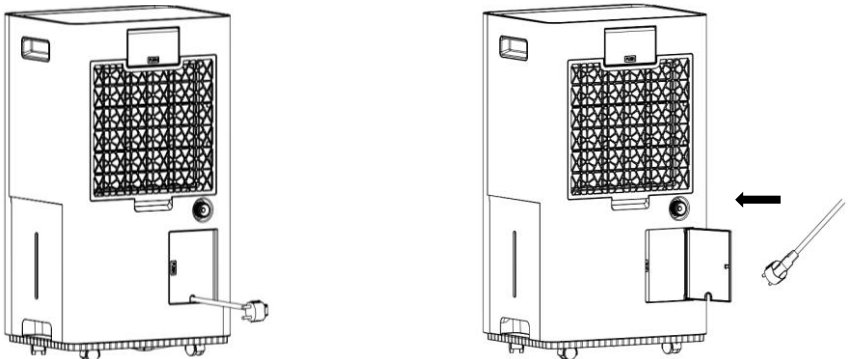
Attention: The external drain pipe must not be too long (recommended length is less than 0.6 meters). The height of the end of the drain pipe must be more than 10cm below the height of the fuselage outlet. The drain pipe must be kept smooth, otherwise the water may not be drained normally.

Shoes drying kit and power cord storage

◆ **Shoes drying:** The shoe drying connector can be combined with the shoe drying duct and the shoe drying head to form a shoe drying device. When using the shoe drying device, first open the drying shoe cover located on the rear panel, and then insert the shoe drying device into the air outlet on the rear panel. After drying the shoes, remove them one by one.



◆ **To store the power cord:** First put the plug of the power cord into the storage compartment, then coil up the cable body and put it in, and finally close the storage compartment cover. Conversely, when removing the power cord, the above steps are reversed.



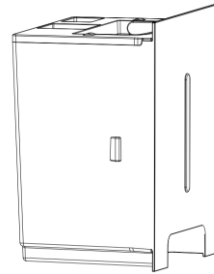
◆ **Reminder:** Please open the cover to the maximum for your convenience. In addition, please be careful not to rub your hands with the buckles to avoid scratching the skin.

Maintenance

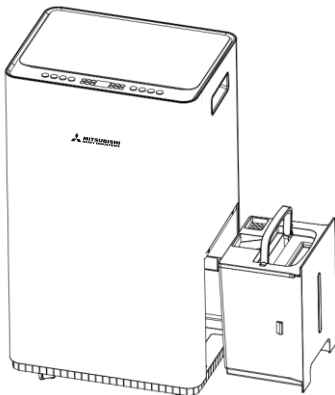
Precautions:

- Please disconnect power supply before maintenance or repair to prevent electric shock.
- If the dehumidifier is not used for long time, please disconnect power supply.
- Please do not clean the dehumidifier body with chemical solvents such as alcohol, gasoline and benzene, etc.

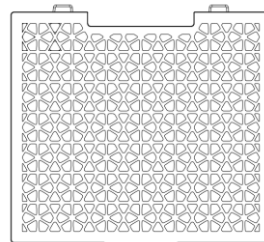
- ◆ Please clean the water tank and its cover with soft cloth dipped in cold or warm water at regular time to prevent mould inside the dehumidifier.



- ◆ Wipe the surface of the dehumidifier slightly with wet cloth, and do not use detergent or abrasive in case the plastic surface is damaged.



- ◆ Clean the washable filter frame at least once every two weeks. Simply wash it with clean water. Do not use chemical solvents or hot water.



Troubleshooting

If the following problems occur to the dehumidifier, the following solutions can be adopted.

Symptoms	Possible reasons	Solutions
The dehumidifier does not run.	Does power plug fall?	Insert power plug into socket.
	Is the water tank full of water? (the water tank is full of water or is placed at incorrect position).	Drain water from the water tank, and then install the water tank again.
	The ambient temperature is too low or too high.	Recommend to use at 5-32 °C.
The dehumidification function is not effective.	Is the room temperature or humidity too low?	In dry season the dehumidification ability will reduce.
	Are the air outlet and inlet blocked?	Clean up the objects blocking the air outlet and inlet.
Air is not blown out.	Is the air filter net blocked?	Clean the filter frame according to the above "Maintenance" page.
Noise is abnormal during operation.	Is the dehumidifier placed improperly so that it is inclined or unstable.	Please place the dehumidifier in flat and smooth place.
	Is the air filter net blocked?	Clean the filter frame according to the above "Maintenance" page.
	There is "tittering" sound.	The flowing sound of refrigerant, which is a normal phenomenon.
Water leaks	Connection of drainage pipe becomes loose.	Fasten drainage pipe.
	Drainage system is blocked.	Remove obstacles and straighten out water pipe.
Frosting occurs	The ambient temperature is low, and it is in the state waiting for defrost.	It is a normal phenomenon, and the dehumidifier has the automatic defrosting function.

Troubleshooting

Display code:

Display code	Instrustion
FL	The water tank is full.
E1	The coil sensor detects abnormally.
E2	The room temperature sensor detects abnormally.
P1	The unit is in the defrosting state.
L0	Ambient temperature is too low.
HI	Ambient temperature is too high.
EF	DC fan motor occurs fault (Only applicable to DC fan motor type machine).

Technical parameter

Technical parameter

1. Fuse parameters

Voltage: 250VAC

Current: 3.15A



Dispose:

Do not place discarded products with other unsorted waste, which should be kept separately for other special uses.

Note 1: The above performance is measured without HEPA filter. The HEPA filter is optional. Users can choose whether to install it or not.

Note 2: All data are for reference only. The product function may be changed due to technical improvement without prior notice.

Toolbox Customer Service Centre:
Service E-mail: 8210service@gilman-group.com
Please register now at: www.dchtoolbox.com
Website: www.gilman-group.com

請記錄下列產品資料

型號 Model No.:

機身編號 Serial No.:

經銷商名稱 Dealer:

購買日期 Date of Purchase:

單據編號 Invoice No.:

本產品不斷改進中，如功能有所更改，恕不另行通知
如有疑問，請與客戶服務中心聯絡。不便之處，敬請原諒。

The product specifications may be changed without prior notice.
Please contact customer service for details if necessary.

說明書內容以英文版本為準

If there is any inconsistency or ambiguity
between the English version and the Chinese version,
the English version shall prevail.



保養登記 Warranty Registration

於網上登記新產品保養 Register your product online
www.dchtoolbox.com



客戶服務中心 DCH ToolBox Customer Service Centre

香港九龍灣啟祥道20號大昌行集團大廈4樓

4/F, DCH Building, 20 Kai Cheung Road, Kowloon Bay, Hong Kong

客戶服務熱線 Customer Service Hotline: (852) 8210 8210

電郵地址 E-mail: 8210service@gilman-group.com

網址 Website: www.gilman-group.com

| Feedback |

.....

.....

.....

.....

.....

.....

.....

.....

.....

.....

.....

.....

.....

.....

.....

.....

.....

.....

.....



MITSUBISHI HEAVY INDUSTRIES - JINLING AIR - CONDITIONERS CO., LTD.