

**gemini**  
ITALY

**2-IN-1 SANDWICH &  
WAFFLE MAKER**  
**2合1三文治及窩夫機**

MODEL NO 型號: GWM650GN  
650W

A GILMAN GROUP BRAND



**Please read and retain for future reference.**

## **SAFETY INSTRUCTION - GENERAL**

- Use this appliance solely in accordance with these instructions.
- This appliance is for household use only, not for commercial purpose.
- Remove all packaging material from the appliance before use.
- This appliance shall not be used by children of 0 to 8-year old.
- This appliance can be used by children older than 8-year old and persons with reduced physical, sensory or mental capabilities or lack of experience and knowledge, but only if they have been given supervision or instruction concerning use of the appliance in safe way and understand the hazards involved.
- Children should be supervised to ensure that they do not play with the appliance.
- Cleaning and maintenance must not be done by children.
- Have any repairs carried out solely by a qualified electrician. Never try to repair the appliance yourself.
- Do not handle the plug or appliance with wet hands.
- Do not immerse the main body in water.
- Children shall not play with the appliance.
- Do not leave the appliance unattended when connected to the mains supply.
- Keep hair, loose clothing, fingers and all parts of the body away from openings of the appliance.
- Only use the attachments/accessories supplied with the product.

## **SAFETY INSTRUCTION - ELECTRICITY AND HEAT**

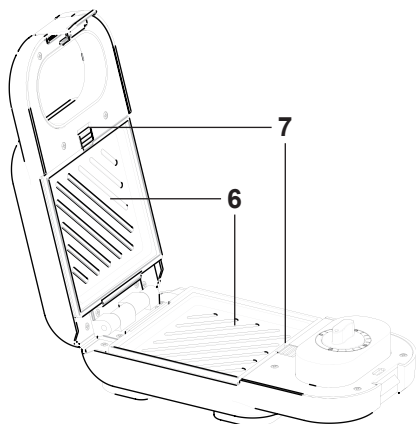
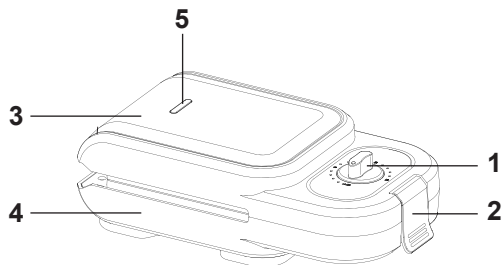
- Verify that the mains voltage is the same as that indicated on the rating plate on the appliance before use.
- Make sure that you always use a grounded wall socket to connect the appliance.
- Always remove the plug from the wall socket when the appliance is not in use.
- Remove the plug from the wall socket by pulling the plug, not the power cord.
- Make sure that the appliance, the power cord and plug do not make contact with water.
- Make sure that the appliance, the power cord and plug do not make contact with hot surface, such as a hot hob or naked flame.
- Check the appliance's power cord regularly to make sure it is not damaged.
- Do not use the appliance if the power cord is damaged. If the power cord is damaged, it must be replaced by an electrical technician or a person with similar qualification, in order to avoid any hazards.

- The appliance needs space to allow heat to escape, thereby preventing the risk of fire. Make sure that the appliance has sufficient space around it, and does not come in contact with flammable material. The appliance, the air vents must not be covered or blocked when use.
- Never use the appliance in the vicinity of flammable material.
- Certain part of the appliance may get hot during operation. Do not touch these part to prevent scalding yourself.

## **SAFETY INSTRUCTION - DURING OPERATION**

- Before using the appliance for the first time, remove any promotional materials. and packaging materials, and check that the cooking plates are clean and free of dust. If necessary, wipe over with a damp cloth.
- Place the appliance on a flat, dry, stable surface.
- The cooking plates will become very hot. Do not touch the cooking plates or edge of the plates.
- To remove sandwich/ waffle, always use a plastic or wooden spatula. Never use a sharp object or metal, as this will damage the non-stick surface of cooking plates.

# PRODUCT OVERVIEW



1. Timing control
2. Handle buckle
3. Upper housing
4. Lower housing
5. Ready indicator
6. Sandwich/ waffle plates
7. Release button

# ASSEMBLE AND DIS-ASSEMBLE PLATES

Dis-assemble: press the release button (item 7) on the appliance and remove the sandwich/ waffle plates.

Assemble: install the sandwich/ waffle plates in slot of the appliance.

## OPERATING INSTRUCTION

Before using the appliance for the first time, remove any promotional materials, and packaging materials, and check that the cooking plates are clean and free of dust. If necessary, wipe over with a damp cloth.

- Insert the power plug into the power socket.
- Place the appliance on a flat, dry, stable surface.
- Waffle plate: divide mixture into plate holes to around 70% full.
- Sandwich plate: put the toast/food suitable for toasting into the slot, gently close the upper part.
- Plug the appliance in, and adjust it to your required time, using the Timing control (item 1), and the red power indicator will light up. The indicator will turn off when finished working.
- If you wish to stop the processing, adjust the timer knob to off position to cancel the heating elements.
- Always allow at least 1 minute's cooling time between cycles if the appliance is being used more than once at a time.
- Must put in the food when using, the appliance cannot be used without food.

### **Note:**

- The cooking plates will become very hot. Do not touch the cooking plates or edge of the plates.
- To remove sandwich/ waffle, always use a plastic or wooden spatula. Never use a sharp object or metal, as this will damage the non-stick surface of cooking plates.

## CLEAN & STORAGE

- Disconnect the power plug and cool down completely of the appliance before cleaning.
- Remove the sandwich/waffle plates for cleaning.
- Wipe the housing with a damp cloth and dry with a soft dry cloth.
- Do not use coarse or abrasive sponges/cloths or steel wool to clean the sandwich/waffle pan.
- Do not immerse the appliance in water or other liquids.
- Do not put the appliance in the dishwasher.
- Make sure the appliance is cool and dry completely before storing.
- To minimize storage space in your kitchen, the appliance can be stored vertically.

## PRODUCT SPECIFICATIONS

<b>Model No.:</b>	GWM650GN
<b>Voltage:</b>	220-240V~
<b>Frequency:</b>	50-60Hz
<b>Power consumption:</b>	650W
<b>Product dimensions:</b>	92(H) x 136(W) x 256(D) mm

\*The final product specification may be varied according to a different lot of material and actual input voltage power of the usage area.

閱讀下列說明事項並請妥善保管，以供日後參考。

## 安全指引 - 一般安全

- 請按照這些說明事項, 使用本產品。
- 本產品僅供家用，不作商業用途。
- 使用前，請將所有包裝材料拆除。
- 0至8歲的兒童不應使用本產品。
- 超過8歲的兒童可使用本產品，但請勿由肢體不健全、感覺或精神上有障礙或缺乏相關經驗和知識的人使用，除非有負責他們安全的人對他們使用本產品進行監督或指導。
- 請務必看顧好兒童，以確保他們不玩耍本產品。
- 兒童不應清潔或維修本產品。
- 當需進行任何維修，必須由專業維修人員進行維修。永遠不要嘗試自己修理本產品。
- 手濕時不可以接觸電源插頭或本機。
- 主機不可以浸入水中。
- 兒童不可以把玩本機。
- 本機開著後不可以無人監管。
- 當本機開著時，頭髮、鬆身衣物、手指和身體其他部份都要離開本機。
- 只使用隨機附送的配件。

## 安全指引 - 電子和熱能產品

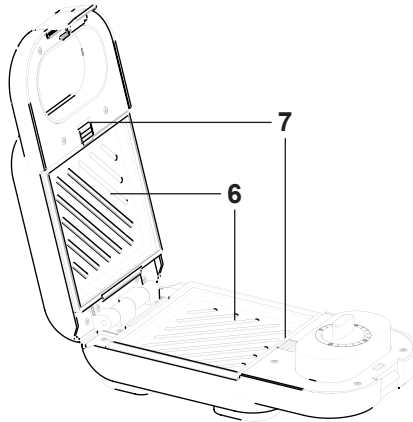
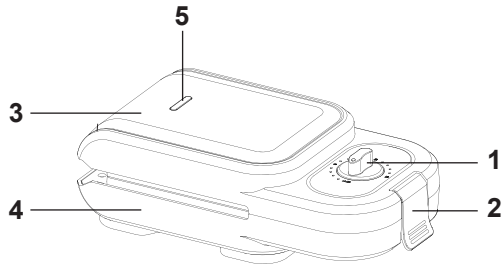
- 使用相符的電源和電壓，以防止觸電。
- 本產品只能使用帶接地線的電源插座。
- 當本產品不使用時，請從牆上的插座中拔掉插頭。
- 從牆上插座中拔掉插頭時，應拿著插頭而不是電源線。
- 確保本產品、電源線和插頭不與水接觸。
- 確保本產品、電源線和插頭不接觸發熱表面，如明火。
- 定期檢查本產品的電源線以確保其沒有損壞。如果電源線損壞，請勿使用其產品，並須由專業維修人員來更換，以避免出現任何危險。
- 確保本產品的周圍有足夠空間，並且不接觸易燃物料。使用時，通風口不得覆蓋或堵塞。
- 切勿在易燃材料附近使用本產品。
- 本產品運作時會發熱，不要觸摸這些部分，以防止燙傷自己。

## 安全指引 - 操作期間

- 使用前，將所有包裝材料移除，檢查烤盤是否已清洗乾淨，沒有灰塵。有需要的話，使用濕布擦拭。
- 設備放在平坦、乾燥、穩固的表面上。
- 產品運作時，烤盤會很熱。請勿觸摸烤盤或烤盤邊緣。
- 使用塑膠勺或木勺來清理烤盤，請勿使用尖銳或金屬器具，否則會對烤盤的不粘表面做成損壞。



# 部件示意圖



1. 預設時間旋鈕
2. 固定扣
3. 面蓋
4. 底蓋
5. 運作指示燈
6. 三明治/窩夫餅盤
7. 釋放按鈕

## 拆卸和安裝烤盤

拆卸方法：按下產品上的釋放按鈕 (項目7) 並取下三明治/窩夫餅盤。

安裝方法：將三明治/窩夫盤安裝在產品的插槽中，並安裝到位。

## 使用說明

首次使用前，將所有包裝材料移除，檢查烤盤是否已清洗乾淨，沒有灰塵。有必要的話，使用濕布擦拭。

- 將電源插頭插入電源插座。
- 將設備放在平坦、乾燥、穩固的表面上。
- 窩夫盤：將混合物分入盤至至大約 7 成滿。
- 三文治盤：將適合烘烤的吐司/食物放入烤盤內，輕輕蓋上蓋子。
- 使用預設時間旋鈕 (項目1) 調節所需要的時間。電源紅指示燈亮起，完成後，指示燈熄滅。
- 如果要停止運作，將預設時間旋鈕調較至OFF位置以取消加熱。
- 如果需使用多次，請在重複使用前至少冷卻 1 分鐘。
- 使用時必須放入食物，沒有食物不能使用。

### 注意：

- 產品運作時，烤盤會很熱。請勿觸摸烤盤或烤盤邊緣。
- 使用塑膠勺或木勺來清理烤盤，請勿使用尖銳或金屬器具，否則會對烤盤的不粘表面做成損壞。

## 清潔與儲存

- 在清洗工作前，先掉電源插頭及冷卻本產品。
- 拆卸三明治/窩夫盤進行清潔。
- 用一塊濕的布、擦拭產品外殼，並用柔軟的乾布抹乾。
- 請勿使用粗糙或粗糙的海綿/布或鋼絲絨清潔三明治/華夫餅盤。
- 請勿將本機浸入水中或其他液體中。
- 請勿將本產品放在洗碗機清洗。
- 儲存前確保本機已冷卻並且是乾的。
- 為了節省您廚房的儲存空間，本機可以直立放置。

## 產品規格

型號:	GWM650GN
電壓:	220-240V~
頻率:	50-60Hz
功率:	650瓦
產品尺寸:	92(高) x 136(闊) x 256(深) 毫米

\* 相關產品的規格，可能會因配件批次或實際使用地區的電壓差異而有所不同。

請記錄下列產品資料

型號 Model No.:

機身編號 Serial No.:

經銷商名稱 Dealer:

購買日期 Date of Purchase:

單據編號 Invoice No.:

本產品不斷改進中，如功能有所更改，恕不另行通知  
如有疑問，請與客戶服務中心聯絡。不便之處，敬請原諒。

The product specifications may be changed without prior notice.  
Please contact customer service for details if necessary.

說明書內容以英文版本為準

If there is any inconsistency or ambiguity  
between the English version and the Chinese version,  
the English version shall prevail.

保養登記  
Warranty Registration



於網上登記新產品保養  
Register your product online  
[www.dchtoolbox.com](http://www.dchtoolbox.com)

小電維修服務 - 自攜點  
Repair Service - Collection Points



客戶服務中心 DCH ToolBox Customer Service Centre  
香港九龍灣啟祥道20號大昌行集團大廈4樓  
4/F, DCH Building, 20 Kai Cheung Road, Kowloon Bay, Hong Kong

客戶服務熱線 Customer Service Hotline: (852) 8210 8210  
電郵地址 E-mail: [8210service@gilman-group.com](mailto:8210service@gilman-group.com)  
網址 Website: [www.gilman-group.com](http://www.gilman-group.com)