

# gemini

ITALY

## 二合一雙頭電磁 及電陶煮食爐

### BUILT-IN/FREESTANDING 2 IN 1 INDUCTION COOKER & CERAMIC COOKER

型號:GVI28AA  
MODEL NO.:GVI28AA

## 安裝說明書 Installation Instruction

本產品不斷改進中，如功能有所更改，恕不另行通知，如有疑問，請與客戶服務中心聯絡，不便之處，敬請原諒。

The product specifications may be changed without prior notice.  
Please contact customer service for details if necessary.

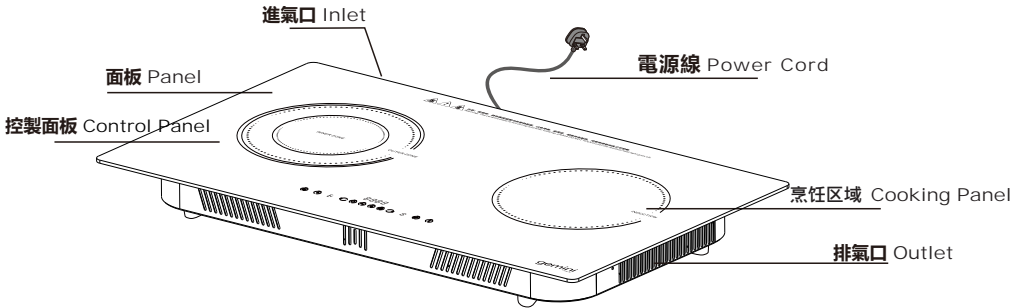
說明書內容以英文版本為準

If there is any inconsistency or ambiguity  
between the English version and the Chinese version,  
the English version shall prevail.

Instruction manual 使用說明書



## ■ 嵌入式安裝說明 Built-in Installation



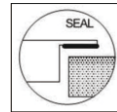
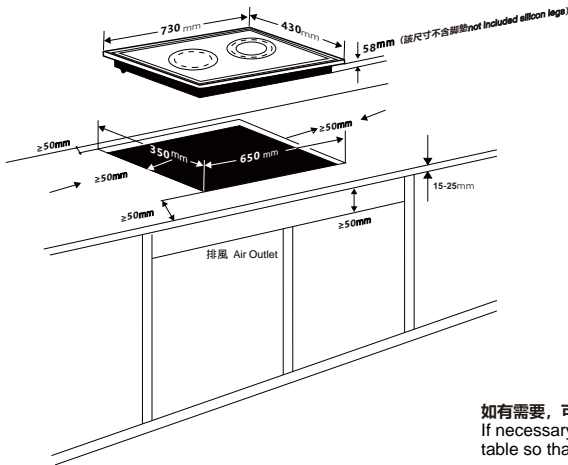
注意：本機的安裝必須由符合資格的安裝技工完成。請勿嘗試自行安裝煮食爐。

桌面上的凹槽可以根據以下圖示尺寸而定。請確保爐灶與牆面的淨空間為55毫米。桌面厚度最少為15毫米，桌面必須為耐熱性能強的材質，以防因高溫導致桌面變形。

注意1. 安裝時注意機身底部以下必須預留不少於250毫米高的空間排風。

注意2. 機身底部進出風口不能設在封閉的空間裏，必須保持與不同空間的空氣連接，並儘量與房間裏的空氣保持一定程度的連接。

NOTE: Installation of this unit must be completed by a qualified installation technician. Do not attempt to install the cooking stove yourself. The grooves on the table top can be determined according to the dimensions shown in the figure below. Please ensure there is 55mm of clear space between the stove and the wall. The thickness of the desktop must be at least 15 mm. The desktop must be made of heat-resistant material to prevent deformation of the desktop due to high temperatures. Note 1. When installing, please note that no less than 250 mm of space must be reserved below the bottom of the fuselage for ventilation. Note 2. The air inlet and outlet at the bottom of the fuselage cannot be located in a closed space. It must be connected to the air in different spaces and try to maintain a certain degree of connection with the air in the room.



如有需要，可使用海綿條固定在桌面上，以使爐身水平放好。  
If necessary, you can use sponge strips to fix it on the table so that the furnace body is placed horizontally.

用戶應在處理本產品前貼上“廢舊電器”的標籤。請勿將廢舊電器直接丟棄在家居垃圾中。

請勿將爐具安裝在不通風的櫥櫃、製冷設備、洗碗機和轉筒式乾燥機上。

若爐具下方裝有抽屜，避免將易燃或不耐高溫的物品（如噴劑）放置在抽屜內。

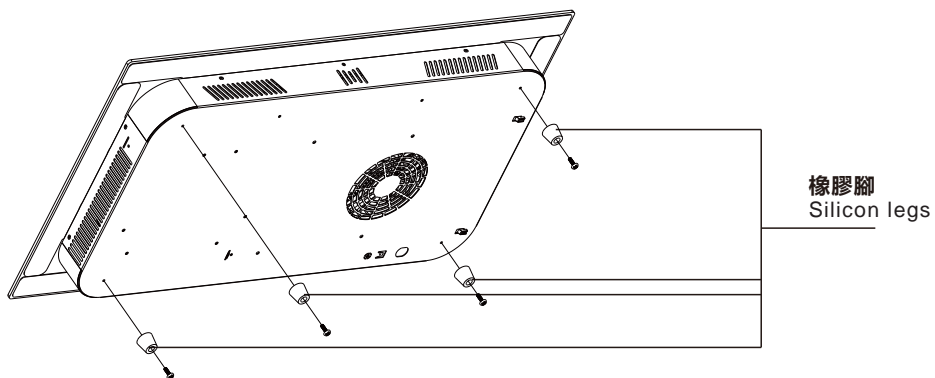
爐具與抽油煙機的間隔請遵從抽油煙機的指引。若指引中無說明，建議兩者距離至少760毫米。安裝完成後，電源線應避免擠壓，例如抽屜。

Users should label this product as "waste electrical appliances" before disposing of it. Do not dispose of used electrical appliances directly in household waste. Do not install the appliance in unvented ovens, refrigeration appliances, dishwashers and tumble dryers. If there is a drawer under the stove, avoid placing flammable or high-temperature-resistant items (such as sprays) in the drawer. Please follow the guidelines for the range hood regarding the distance between the stove and the range hood. If there is no explanation in the guidelines, it is recommended that the distance between the two should be at least 760 mm. After installation, the power cord should avoid pinching, such as in drawers.

## ■ 台式安裝說明 For Table Top Use

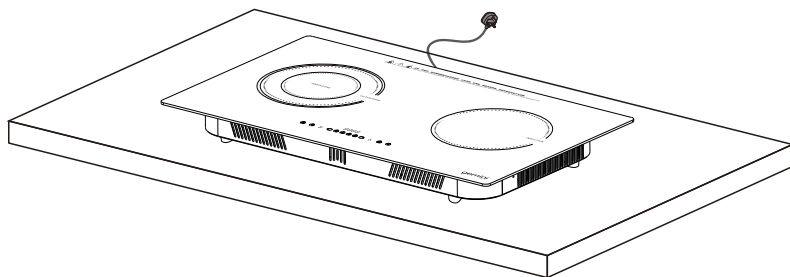
### 步驟一：安裝四個橡膠腳

Step 1 : Install 4pcs silicon legs



### 步驟二：將組合爐放置到適合位置

Step 2: Place on the flat surface



## 請記錄下列產品資料

型號 Model No.:

機身編號 Serial No.:

經銷商名稱 Dealer:

購買日期 Date of Purchase:

單據編號 Invoice No.:

本產品不斷改進中，如功能有所更改，恕不另行通知  
如有疑問，請與客戶服務中心聯絡。不便之處，敬請原諒。

The product specifications may be changed without prior notice.  
Please contact customer service for details if necessary.

說明書內容以英文版本為準

If there is any inconsistency or ambiguity  
between the English version and the Chinese version,  
the English version shall prevail.



### 保養登記 Warranty Registration

於網上登記新產品保養 Register your product online  
[www.dchtoolbox.com](http://www.dchtoolbox.com)



客戶服務中心 DCH ToolBox Customer Service Centre  
香港九龍灣啟祥道20號大昌行集團大廈4樓  
4/F, DCH Building, 20 Kai Cheung Road, Kowloon Bay, Hong Kong

客戶服務熱線 Customer Service Hotline: (852) 8210 8210  
電郵地址 E-mail: [8210service@gilman-group.com](mailto:8210service@gilman-group.com)  
網址 Website: [www.gilman-group.com](http://www.gilman-group.com)