

**gemini**  
ITALY

**RECHARGEABLE  
HANDHELD  
VACUUM CLEANER**

**充電式手提吸塵機**

**MODEL NO.: GVC65GR**



A GILMAN GROUP BRAND

**Please read and retain for future reference.**

## **SAFETY INSTRUCTION - GENERAL**

- Use this appliance solely in accordance with these instructions.
- This appliance is for household use only, not for commercial purpose.
- Remove all packaging material from the appliance before use.
- This appliance shall not be used by children of 0 to 8-year old.
- This appliance can be used by children older than 8-year old and persons with reduced physical, sensory or mental capabilities or lack of experience and knowledge, but only if they have been given supervision or instruction concerning use of the appliance in safe way and understand the hazards involved.
- Children should be supervised to ensure that they do not play with the appliance.
- Cleaning and maintenance must not be done by children.
- Have any repairs carried out solely by a qualified electrician. Never try to repair the appliance yourself.
- Do not handle the plug or appliance with wet hands.
- Do not immerse the main body in water.
- Children shall not play with the appliance.
- Keep hair, loose clothing, fingers and all parts of the body away from openings of the appliance.
- Only use the attachments/accessories supplied with the product.

## **SAFETY INSTRUCTION - ELECTRICITY AND HEAT**

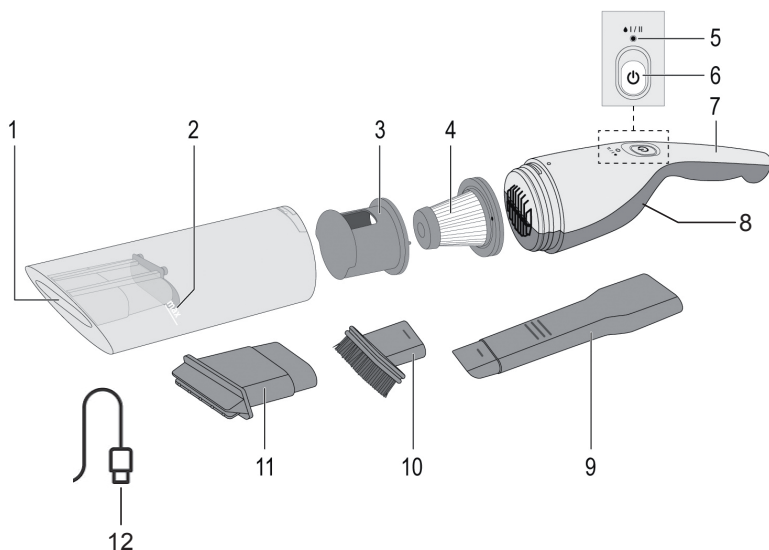
- Verify that the adaptor is the same as that indicated on the rating plate on the appliance before use.
- Make sure that you always use a grounded wall socket to connect the appliance.
- Always remove the USB cable when the appliance is not in use.
- Remove the plug from the wall socket by pulling the plug, not the power cord.
- Make sure that the appliance, the USB cable do not make contact with water.
- Make sure that the appliance, the USB cable do not make contact with hot surface, such as a hot hob or naked flame.
- Check the appliance's USB cable regularly to make sure it is not damaged. Do not use the appliance if the USB cable is damaged. If the power cord is damaged, it must be replaced by an electrical technician or a person with similar qualification, in order to avoid any hazards.
- The appliance needs space to allow heat to escape, thereby preventing the risk of fire. Make sure that the appliance has sufficient space around it, and does not come in contact with flammable material. The appliance, the air vents must not be covered or blocked when use.
- Never use the appliance in the vicinity of flammable material.

# SAFETY INSTRUCTION - DURING OPERATION

- Make sure your hands are dry before touching the appliance, USB cable.
- Do not pick up the appliance if it falls into water. Remove the USB cable from the adaptor immediately. Do not use the appliance again.
- Never immerse the appliance, the USB cable in water or any liquid.
- Clean the appliance thoroughly after every use (Please refer to “Cleaning and Storage”section.)
- The appliance can not aspirating an aqueous solution that may contain foaming detergent.
- Do not dismantle the vacuum cleaner while the motor is still operating.
- Never use the vacuum cleaner without the filter.
- Always keep the openings clean and prevent dust or dirt from blocking the air passage. Do not put any objects into openings. Do not use with any opening blocked until the obstacles removed.
- Never use the vacuum cleaner to suck up explosive, flammable or combustible liquids nor anything that may be still burning such as cigarette butts or ash/ cinders. Never vacuum up toxic materials, organic solvents or acids.
- Never vacuum up solid, sharp or piercing objects that may damage the filter.
- Never use the appliance to suck up any other liquid than cold water.
- Never exceed the MAX level when sucking up liquids.
- When aspirating liquids, always keep the appliance in the vertical position, with the suction inlet facing downwards. Never place the appliance in any other position and never allow liquids to come into contact with the motor.
- Never use the appliance to suck up cement powder, filings, sawdust or metal powder, because they could block the filter, be abrasive to and damage the motor, causing the loss of the guarantee.
- Do not use the batteries included inside the appliance for other uses or other appliances.
- Do not clean any parts in a dishwasher.

**Note:** For the first time you should `charge the appliance for at least 8 consecutive hours.

# PRODUCT OVERVIEW



1. Dust container
2. "MAX" level mark
3. Filter bracket
4. Filter
5. Light indicator
6. On/Off switch
7. Handle
8. Charging port (Type-C)
9. Crevice nozzle
10. Brush attachment
11. Soft nozzle for liquid
12. Type C charging cable

# USAGE INSTRUCTION

## Using the appliance for dry suction

Following accessories working for dry purpose:

Crevice nozzle (9): is suitable for upholstery, cleaning the inside of cars and from all nooks and crannies that can't be reached with other nozzle.

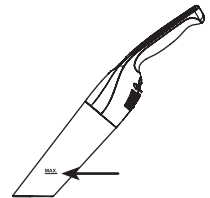
Brush attachment (10) can be used with Crevice nozzle (9).

- a) Plug the Crevice nozzle (9) and then apply pressure on it to attach it.
- b) Turn on the appliance press on the switch (6) for Low speed,
- c) Press again and hold on for 2 second to turn to High speed.
- d) To turn off the appliance, operate again on the switch (6).

## Using the appliance to suck up liquids

### WARNING:

1. Never use the appliance to suck up any other liquid than cold water.
2. Do not exceed the indicated MAX level (2) when sucking up liquids (the MAX level must always be measured when the appliance is in the vertical position, with the suction inlet facing down).
3. When sucking up liquids, always keep the appliance in the vertical position, with the suction inlet facing downwards. Never place the appliance in any other position and never allow liquids to come into contact with the motor.



- a) Use the Soft nozzle for liquid as final attachment (11); apply pressure to it to attach it.
- b) Press on switch (6) to switch the appliance on.
- c) Keep the appliance on with the suction inlet facing down at all times.
- d) Pull the switch (6) back to switch the appliance off.

**Note:** Empty the container immediately after use and wash the filter. Rinse the container and the filter in cold water and let all parts dry completely before reassembling them.

**Note:** Only low speed mode available for Liquid vacuuming. Do never suck up liquid on High speed.

# CHARGING

Insert the plug of charging cable into the adaptor outlet.

Make sure the on/off switch (6) in OFF.

Please recharge the appliance. When the appliance will be correctly positioned then the LED will display a red light.

## Note:

- When you are not using the appliance, keep it always switch OFF let it recharge for at least 2 hours.
- If the appliance is used until the batteries are completely flat, it should then be recharged with a complete recharging cycle until LED light turn to green.
- Don't let the appliance uncharged for a long time, because the inner accumulators may be damaged.
- Type C on both sides of the charging cable, there is a chance it won't be able to charge.
- Please use a USB-A to USB-C charging cable.

# CLEANING & STORAGE

## Empty the container and clean the filter

Twist the dust container off (1) the main unit (fig.2)

Remove the dust filter from the inside of the container and empty the dust container (1).

Clean the dust filter and, if necessary, clean the container and dust filter with clear, lukewarm water.

Let all parts dry completely before you put them back together.

Note: Ensure filter bracket (3) facing upwards (fig.3)

Reinsert the dust container into the main unit, ensuring that it clicks into place. Ensure that the front tip on the main unit's lower side slots into the correct opening found on the dust container. (fig.4, fig.5)

Don't use the appliance if the filter is broken or worn out.

**Note:** After an intensive or long use, it is necessary to change the filter with a new one.

## Care and storage

Before cleaning the appliance, make sure it has completely cooled.

The appliance should be cleaned with a dry cloth. Don't use abrasive detergents. Only the dust container (1) and the dust filter can be washed in cold water. Let the parts dry completely before reassembly.

Do not immerse the body of the appliance, Power cable in water or other liquids. Do not wash any components of the appliance in the dishwasher.

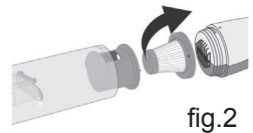


fig.2

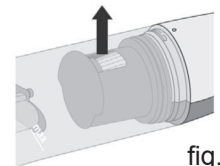


fig.3

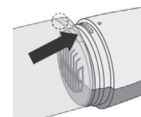


fig.4

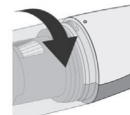


fig.5

# TROUBLESHOOTING

If the appliance should stop working properly, first check whether you are able to correct the problem yourself. Otherwise, contact our customer service department Do not try to repair a faulty appliance yourself!

PROBLEM	POSSIBLE CAUSES	SOLUTION
The appliance only works slowly or does not start	Battery flat	Recharge it
Low suction force	The dust container full. The filter heavily clogged up. The suction opening locked. Some smaller items will remain stuck to the carpet or are too big / too heavy to be picked up the appliance.	Empty the container. Clean the container. Switch off the appliance and remove the blockage. Remove these foreign bodies by hand.
Dust escapes from the appliance during cleaning	The dust container and filter are inserted incorrectly	The dust container and filter are inserted correctly. Adjust the fitting of the dust container if necessary
The light indicator does not light up when the appliance is connected to the mains power.	The charger cable is not inserted into the adaptor correctly and the charging connector is not installed in place. The plug socket defective Turn off of the fuse of your mains connection.	Plug the charging cable into the adaptor correctly and make sure the connector is inserted into the socket Try another plug socket Check the fuse of your mains connection.
Unusual odour.	Any new odour is normal when the appliance is used for the first times;	It will disappears after a while of usage.
This product cannot be charged	Check charging cable type	Please use USB-A to USB-C charging cable

## PRODUCT SPECIFICATIONS

Model no.: GVC65GR

Battery Voltage: 7.4V

Output power: 65W

Suction power: 4 kPa (High speed) / 2.5 kPa (Low speed)

Product size: 70(H) x 455(W) x 70(D)mm

\*The final product specification may be varied according to a different lot of material and actual input voltage power of the usage area.

### Note:

- Type C on both sides of the charging cable, there is a chance it won't be able to charge.
- Please use a USB-A to USB-C charging cable.

閱讀下列說明事項並請妥善保管，以供日後參考。

## 安全指引 - 一般安全

- 請按照這些說明事項, 使用本產品。
- 本產品僅供家用，不作商業用途。
- 使用前，請將所有包裝材料拆除。
- 0至8歲的兒童不應使用本產品。
- 超過8歲的兒童可使用本產品，但請勿由肢體不健全、感覺或精神上有障礙或缺乏相關經驗和知識的人使用，除非有負責他們安全的人對他們使用本產品進行監督或指導。
- 請務必看顧好兒童，以確保他們不玩耍本產品。
- 兒童不應清潔或維修本產品。
- 當需進行任何維修，必須由專業維修人員進行維修。永遠不要嘗試自己修理本產品。
- 手濕時不可以接觸電源插頭或本機。
- 主機不可以浸入水中。
- 兒童不可以把玩本機。
- 當本機開著時，頭髮、鬆身衣物、手指和身體其他部份都要離開本機。
- 只使用隨機附送的配件。

## 安全指引 - 電子和熱能產品

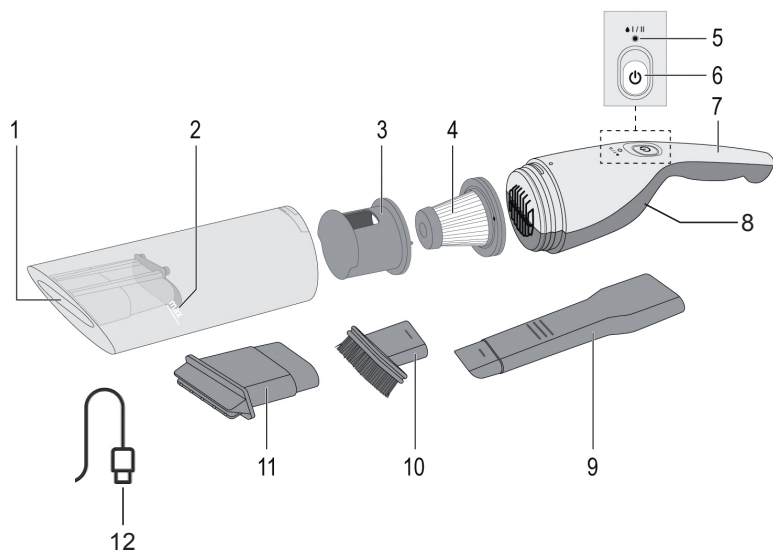
- 使用相符的充電器，以防止觸電。
- 本產品所用的充電器，請插在接地線的電源插座。
- 當本產品不使用時，請拔掉USB充電線。
- 從牆上插座中拔掉 USB 充電線插頭時，應拿著插頭而不是線身。
- 確保本產品、USB 充電線不與水接觸。
- 確保本產品、USB 充電線不接觸發熱表面，如明火。
- 定期檢查本產品的USB 充電線以確保其沒有損壞。如果USB 充電線損壞，請勿使用其產品，並須由專業維修人員來更換，以避免出現任何危險。
- 切勿在易燃材料附近使用本產品。
- 本產品的某部分可能會發熱。不要觸摸這些部分，以防止燙傷自己。

## 安全指引 - 操作期間

- 請勿用潮溼的手插拔USB充電線接觸本產品。
- 如果本產品落入水中，立即從插槽中拔下USB充電線，並且不要再次使用本產品。
- 切勿將本產品、USB充電線浸入水中或其他液體中。
- 使用後徹底清潔本產品（請參閱“清潔和保養”）
- 不可吸入任何可能產生泡沫的洗滌劑或水溶液。
- 產品運作時，不可拆卸本產品。
- 確保塵網組件安裝好，才可使用本產品，否則可能造成損壞。
- 不可使用本產品吸入任何正在燃燒/燃點的物品，如燃點的香煙或煙灰。不可吸入任何爆炸性物質、易燃性物品、可燃性液體、高溫物品、毒性物質、有機溶劑、腐蝕性或強酸性物質。
- 不可吸入如玻璃碎片、釘子、石頭、針頭或刀片等邊緣銳利的物品。以免過濾器受損。
- 切勿使用該設備吸取冷水以外的任何其他液體。
- 吸取液體時切勿超過最高水位線。
- 吸取液體時，請務必保持設備垂直位置，吸入口朝下。切勿將本產品放置在任何其他位置，並且切勿讓液體接觸進入馬達。
- 切勿使用本產品吸取水泥粉、鐵屑、鋸末或金屬粉末，它們會堵塞過濾器，磨損並損壞電機，導致本產品受損。
- 請勿將本產品內含的電池用於其他用途。
- 不可使用碗碟機清洗本產品的組件。

**注意：**首次使用時應本產品充電至少連續 8 小時。

## 部件示意圖



1. 塵杯
2. 最高水位線
3. 過濾網支架
4. 過濾網
5. 指示燈
6. 開/關鍵
7. 手柄
8. 充電口 (Type-C)
9. 縫隙吸咀
10. 刷子配件
11. 液體軟吸咀
12. Type C型充電線

# 使用說明

## 使用乾吸裝置

以下配件適用於乾燥用途：

縫隙吸咀 (9)：適用於室內，清潔汽車內部以及其他吸咀無法到達的所有角落和縫隙。

刷子配件 (10) 可與縫隙吸咀 (9) 一起使用。

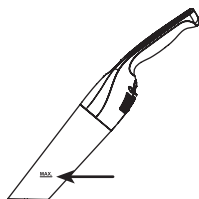
- 插入縫隙吸咀 (9)，然後對其施加壓力以將其固定。
- 開啟本產品，按下開關鍵 (6)，以低速運作
- 再按一次並按住 2 秒，即可轉為高速。
- 若要關閉本產品，請再按開關鍵 (6)。

## 使用本產品吸取液體

### 警告：

- 切勿使用本產品吸取冷水以外的任何其他液體。
- 吸取液體時請勿超過最高水位線 (2) (本產品必須處於垂直位置且吸入口朝下時，來測量最高水位線)。
- 吸取液體時，請務必保持本產品垂直位置，吸入口朝下。  
在吸取液體時，切勿將本產品放置在任何其他位置，並且切勿讓液體進入馬達裡面。

- 插入液體軟吸咀 (11)；然後對其施加壓力以將其固定。
- 按下開關鍵(6) 開啟本產品。
- 當本產品開啟時，請保持吸入口朝下。
- 若要關閉本產品，請再按開關鍵 (6)。



**注意：**使用後立即清空塵杯並清洗過濾網。

用冷水沖洗塵杯和過濾網，讓所有零件完全風干，然後重新組裝。

**注意：**僅低速模式可用於液體吸塵器。切勿高速吸取液體。

# 充電

將USB充電線插頭插入充電器。

確保電源開關鍵 (6) 處於關閉位置。

請為本產品充電。當本產品安裝到位，LED 指示燈亮紅燈。

## 注意：

- 不使用本產品時，請務必將其關閉，讓它充電至少 2 小時。
- 如果本產品一直使用到電池電量完全耗盡，則應進行完整的充電週期，直到 LED 指示燈轉為綠燈。
- 請勿讓本產品長時間充電，否則內部蓄電池可能會損壞。
- 兩邊皆是Type C頭的充電線，有機會無法充電。
- 請使用 USB-A to USB-C 充電線。

# 清潔及保養

## 清空塵杯並清潔過濾網

將塵杯(1) 旋轉至解鎖位置 (圖 2)

從塵杯內部拆下濾塵網並清空塵杯內的垃圾(1)。

清潔過濾網，如有必要，請用清水清潔塵杯和過濾網。

請先待它們完全風乾，再將所有部件裝回原來位置。

注意：確保過濾網支架 (3) 朝上 (圖 3)

將塵杯重新插入主機，確保其安裝到位。確保主機下側的前端插入塵杯上的正確開口。(圖4、圖5)

若過濾網破損或磨損，請勿使用本產品。

**注意：**經過長時間使用後，需要更換新的過濾網。

## 保養和儲存

清潔本產品之前，請確保已完全冷卻。

應使用乾布清潔本產品。請勿使用研磨性清潔劑。

僅塵杯 (1) 和濾塵網可用冷水清洗。重新組裝前讓所有部件完全風乾。

請勿將本產品、電源線浸入水或其他液體中。

請勿在洗碗機中清洗本產品的任何組件。

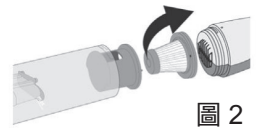


圖 2

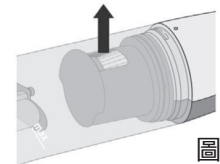


圖 3

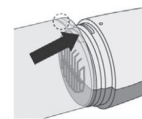


圖 4

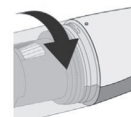


圖 5

## 疑難排解

如果本產品停止正常運作，請先檢查您是否能夠自行解決問題。否則，請聯絡我們的客戶服務部門。請勿嘗試自行修理故障的產品！

問題	可能原因	解決方法
本產品運作緩慢或無法啟動	電池沒電	充電
低吸力	1. 塵杯已滿。 2. 過濾網嚴重堵塞。 3. 吸風口鎖緊 4. 一些較小的物件會黏在地毯上，或物件太大/太重而無法被本產品吸起	1. 清空塵杯。 2. 清潔容器 3. 關閉本產品並清除堵塞物。 4. 用手清除這些異物
清潔過程中灰塵會從吸塵機中漏出	塵杯和過濾網安裝不正確	正確安裝塵杯和過濾網 如有必要，調整塵杯的安裝
當本產品連接到主電源時，指示燈不亮	1. 充電線未正確插入插座，充電連接頭未安裝到位 2. 插頭插座有缺陷 3. 主電源連接的保險絲被關閉。	1. 將充電線正確插入電源插座，並確保連接頭插入插座。 2. 嘗試另一個插頭插座。 3. 檢查電源連接的保險絲。
不尋常的氣味	首次使用時如有異味屬正常現象	使用一段時間後就會消失
產品充不了電	檢查充電線類型	請使用USB-A to USB-C的充電線

## 產品規格

型號：GVC65GR

電壓：7.4V

功率：65瓦

吸力：4 kPa (高速) / 2.5 kPa (低速)

產品尺寸: 70高 x 455闊x 70深 (毫米)

\* 相關產品的規格，可能會因配件批次或實際使用地區的電壓差異而有所不同。

### 注意：

- 兩邊皆是Type C頭的充電線，有機會無法充電。
- 請使用 USB-A to USB-C 充電線。





請記錄下列產品資料

型號 Model No.:

機身編號 Serial No.:

經銷商名稱 Dealer:

購買日期 Date of Purchase:

單據編號 Invoice No.:

本產品不斷改進中，如功能有所更改，恕不另行通知  
如有疑問，請與客戶服務中心聯絡。不便之處，敬請原諒。

The product specifications may be changed without prior notice.  
Please contact customer service for details if necessary.

說明書內容以英文版本為準

If there is any inconsistency or ambiguity  
between the English version and the Chinese version,  
the English version shall prevail.

保養登記  
Warranty Registration



於網上登記新產品保養  
Register your product online  
[www.dchtoolbox.com](http://www.dchtoolbox.com)

小電維修服務 - 自攜點  
Repair Service - Collection Points



客戶服務中心 DCH ToolBox Customer Service Centre

香港九龍灣啟祥道20號大昌行集團大廈4樓

4/F, DCH Building, 20 Kai Cheung Road, Kowloon Bay, Hong Kong

客戶服務熱線 Customer Service Hotline: (852) 8210 8210

電郵地址 E-mail: [8210service@gilman-group.com](mailto:8210service@gilman-group.com)

網址 Website: [www.gilman-group.com](http://www.gilman-group.com)