

**gemini**  
ITALY

**22.2V CORDLESS STICK  
VACUUM CLEANER WITH  
MOTORIZED BED BRUSH**

**22.2V無線直立式床刷吸塵機**

**MODEL NO.: GVC150RD**



A GILMAN GROUP BRAND

**Please read and retain for future reference.**

## **SAFETY INSTRUCTION - GENERAL**

- Use this appliance solely in accordance with these instructions.
- This appliance is for household use only, not for commercial purpose.
- Remove all packaging material from the appliance before use.
- This appliance shall not be used by children of 0 to 8-year old.
- This appliance can be used by children older than 8-year old and persons with reduced physical, sensory or mental capabilities or lack of experience and knowledge, but only if they have been given supervision or instruction concerning use of the appliance in safe way and understand the hazards involved.
- Children should be supervised to ensure that they do not play with the appliance.
- Cleaning and maintenance must not be done by children.
- Have any repairs carried out solely by a qualified electrician. Never try to repair the appliance yourself.
- Do not handle the plug or appliance with wet hands.
- Do not immerse the main body in water.
- Children shall not play with the appliance.
- Do not leave the appliance unattended when connected to the mains supply.
- Keep hair, loose clothing, fingers and all parts of the body away from openings of the appliance.
- Only use the attachments/accessories supplied with the product.

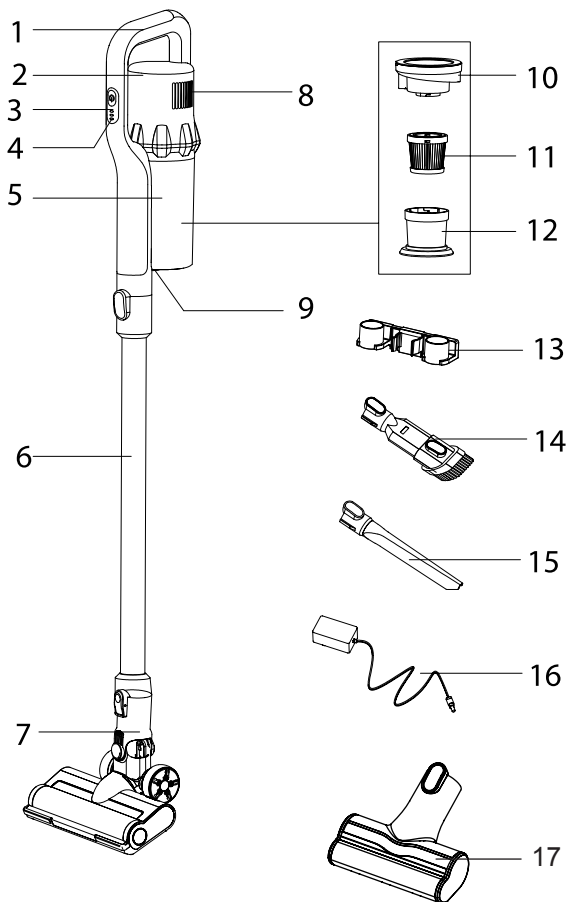
## **SAFETY INSTRUCTION - ELECTRICITY AND HEAT**

- Verify that the mains voltage is the same as that indicated on the rating plate on the appliance before use.
- Make sure that you always use a grounded wall socket to connect the appliance.
- Always remove the plug from the wall socket when the appliance is not in use.
- Remove the plug from the wall socket by pulling the plug, not the power cord.
- Make sure that the appliance, the power cord and plug do not make contact with water.
- Make sure that the appliance, the power cord and plug do not make contact with hot surface, such as a hot hob or naked flame.
- Check the appliance's power cord regularly to make sure it is not damaged. Do not use the appliance if the power cord is damaged. If the power cord is damaged, it must be replaced by an electrical technician or a person with similar qualification, in order to avoid any hazards.
- Never use the appliance in the vicinity of flammable material.

# SAFETY INSTRUCTION - DURING OPERATION

- Make sure your hands are dry before touching the appliance, power cord or plug.
- Do not pick up the appliance if it falls into water. Remove the plug from the socket immediately. Do not use the appliance again.
- Never immerse the appliance, the power cord or the plug in water or any liquid.
- Clean the appliance thoroughly after every use (Please refer to “Cleaning and Storage” section.)
- The appliance can not aspirating an aqueous solution that may contain foaming detergent.
- Do not dismantle the vacuum cleaner while the motor is still operating.
- Never use the vacuum cleaner without the filter.
- Always keep the openings clean and prevent dust or dirt from blocking the air passage. Do not put any objects into openings. Do not use with any opening blocked until the obstacles removed.
- Never use the vacuum cleaner to suck up explosive, flammable or combustible liquids nor anything that may be still burning such as cigarette butts or ash/ cinders. Never vacuum up toxic materials, organic solvents or acids.
- Never vacuum up solid, sharp or piercing objects that may damage the filter.
- Do not clean any parts in a dishwasher.
- When configuring a rotating brush, do not touch any part of the rotating brush during use, otherwise it may cause mechanical damage.
- Do not suck water or other liquids, especially carpet cleaning solution, internal moisture or water may lead to short circuit of electrical appliances;
- Do not suck laser printer, copier internal use of toner, color powder, etc., otherwise it may lead to fire or explosion;
- Do not suck a large number of gypsums, cement and large pieces of paper, etc., These objects may clog the filter, must be cleaned up in a timely manner;
- This product cannot suck toner, lead powder on the battery, cannot be used in dangerous places or industrial production sites, so that non-flooring, ordinary ground, carpet special dust cause damage to the product, and even explode This product can only suck dry garbage, must not be used to suck liquid;
- Under extreme use and temperature conditions, the battery may occur leakage, if the skin is uncarefully to be stained with leaking battery fluid, please rinse immediately with water, such as the eyes to get liquid, in addition to rinsing with water, please immediately to the hospital to check treatment;
- This product is equipped with a dedicated lithium battery and charger, please do not replace the battery by yourself or use other chargers to avoid damage to the product and cause other hazards. This charger is only suitable for this product, do not use it to charge other battery packs so as not to cause danger.

# PRODUCT OVERVIEW



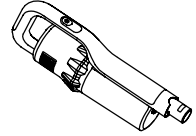
- |   |                                  |
|---|----------------------------------|
| 1. Handle                               | 10. Dust container cover         |
| 2. Main Unit                            | 11. Filter                       |
| 3. Speed mode button                    | 12. Stainless Steel filter cover |
| 4. Battery level and charging indicator | 13. Wall hanger                  |
| 5. Dust container                       | 14. 2-in-1 crevice tool          |
| 6. Aluminium tube                       | 15. Narrow nozzle                |
| 7. LED floor brush                      | 16. BS plug                      |
| 8. Air outlet                           | 17. Motorized bed brush          |
| 9. Dust container releasing button      |                                  |

# CHARGING

Before using your vacuum cleaner for the first time, allow the battery to charge for approx. 4 - 5 hours.

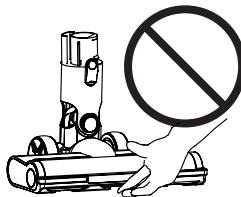
**Important note: Please note the vacuum cleaner can not start operation during charging**


- When the vacuum cleaner is in use, the indicator light can display the battery power status in real time. When the last light starts to flash, it indicates that the power of the machine is low.
- The vacuum cleaner is equipped with a special adapter, connect the adapter to the socket, the charging indicator lights cyclically light in turn to show that the machine is charging. When three indicator lights are on, the battery power is full.



# ASSEMBLY & OPERATING INSTRUCTION

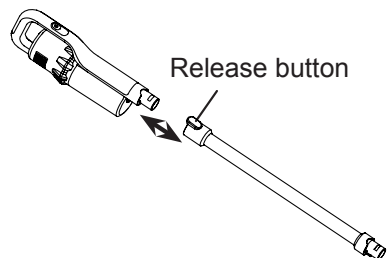
**Warning:** Electric brush contains moving parts! In order to avoid personal injury, do not touch the brush roller when the vacuum cleaner is running, such as touching the rotating roller may cause cuts, injuries or other injuries, for vacuum cleaner maintenance, please turn off the machine first, if use with children nearby please pay attention to safety



After fully charging, long press the power on/off button “” to start operation, the vacuum cleaner will work under low speed at the beginning, and can short press the button once to change at the high speed. Press one more time to stop operation. (Low-High-Stop, as a cycle)

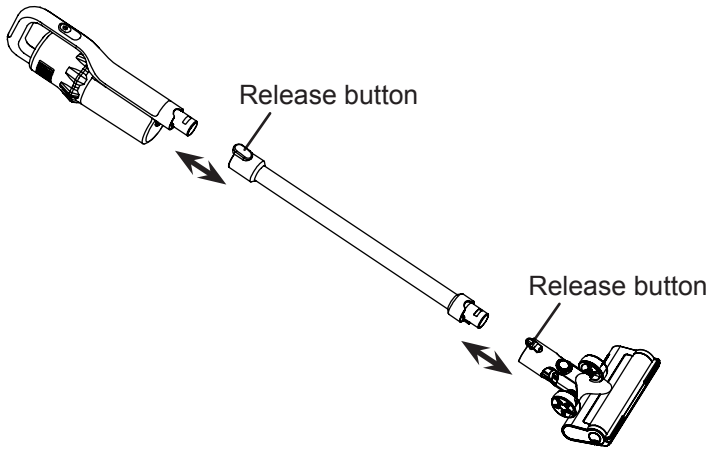
## Assemble and Dis-assemble Handheld with aluminum tube

- Assemble: Insert the end of the tube into the main handheld unit, after hearing the click sound, then the tube installed in place.
- Dis-assemble: Use one hand to hold the tube, press the release button on the main handheld unit and remove the tube outwards.



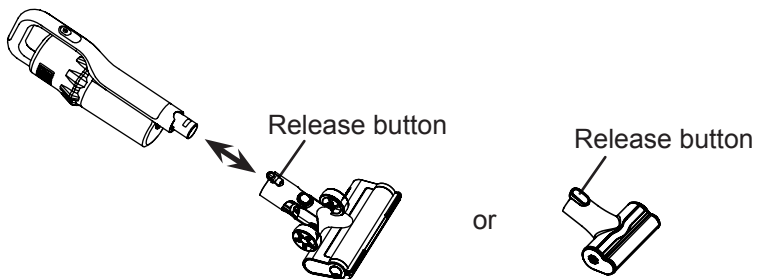
## Assemble and Dis-assemble the LED floor brush / Aluminium tube

- Assemble: Insert the end of the LED floor brush into the tube, after hearing the click sound, then LED floor brush installed in place.
- Dis-assemble: Use one hand to hold the LED floor brush, press the release button on the tube and remove the LED floor brush outwards.



## LED floor brush/ motorized bed brush and the main handheld unit

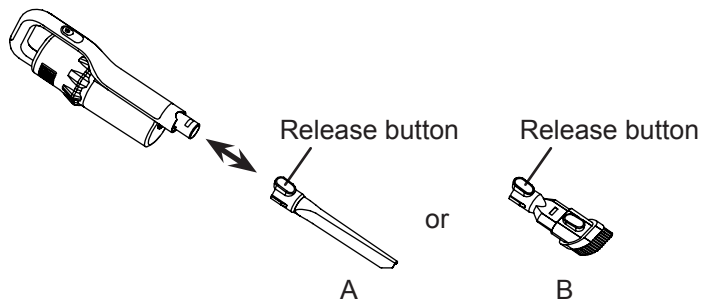
- Assemble: Insert the end of the LED floor brush/ motorized bed brush into the main handheld unit, after hearing the click sound, then LED floor brush/ motorized bed brush installed in place.
- Dis-assemble: Use one hand to hold the LED floor brush/ motorized bed brush, press the release button on the main handheld unit and remove the LED floor brush/ motorized bed brush outwards.



## ACCESSORIES

### 2-in-1 Crevice tool / narrow nozzle assemble with handheld unit

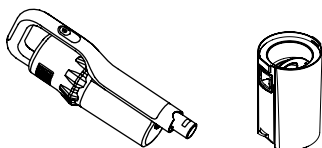
- A: A crevice tool with a narrow nozzle, which you can use to clean window frames and crevices, etc.
- B: Push upwards the cleaning brush of 2-in-1 crevice tool, you can use to clean delicate or irregular surfaces, furniture, venetian blinds, etc.



## CLEANING AND STORAGE

### Emptying the dust container

- Check that the appliance is switched off before cleaning any parts.
- Press the dust cover release button at the front of the dust container, and unfasten the dust container from the main handheld unit.
- Empty the dust container.
- If necessary, rinse the dust container with water gently, let it air-dry completely before reassemble.

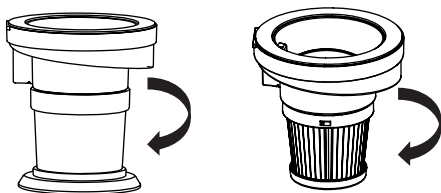


**NOTE:** The filter can become blocked after some time and can thereby reduce the suction power. It is therefore important that the above mentioned filter determine to replace.

## Cleaning or replacing the filter

The filters can become blocked after some time and can thereby reduce the suction power. It is therefore important that the above mentioned filter determine to replace.

- Take out the filter and filter cover, remove the dust container from the machine, then take out the filter assembly, after that rotate the filter cover counterclockwise to remove it from the assembly, and then rotate the filter counterclockwise to remove it.

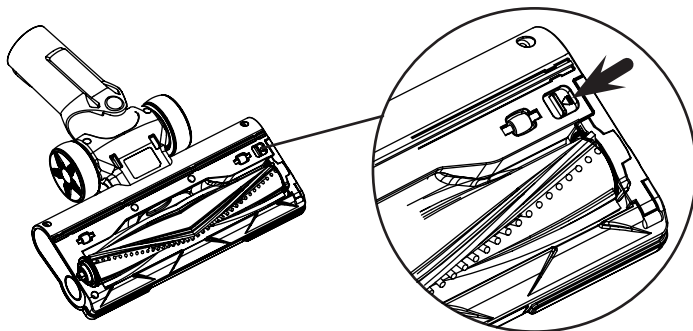


**NOTE:** Water could penetrate into the appliance if the filters are not thoroughly dry. This can result in electrical damage, poor suction performance and smelly during operation.

**Warm reminds:** Do not place the filter, filter cover in the wet place. The washed filter should be dried naturally. Do not expose the filter or speed up the blow dry with hair dryer, which may damage the filter and shorten its service life.

## Clean the LED floor brush

- The Motorized floor brush can be possibly blocked by big objects or rape around by hair or long thread.it need to be clean the rolling brush timely.
- Press the roller brush release button on the bottom side of the LED floor brush and toggle backward, then the lock buckle will automatically bounce.





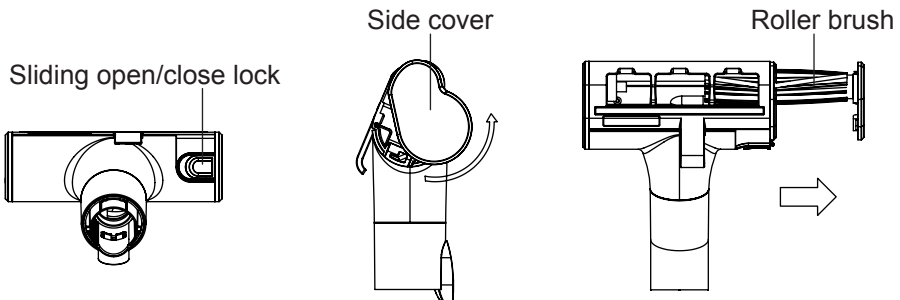
- Remove the hairs or dust around the roll brush, rinse the roll brush with water gently, let it air-dry completely before reassemble.



- After cleaned, install the rolling brush inside the motorized floor brush. Make sure the rolling brush is proper seat in position. Slide the sliding switch to lock position.

### Clean the motorized bed brush

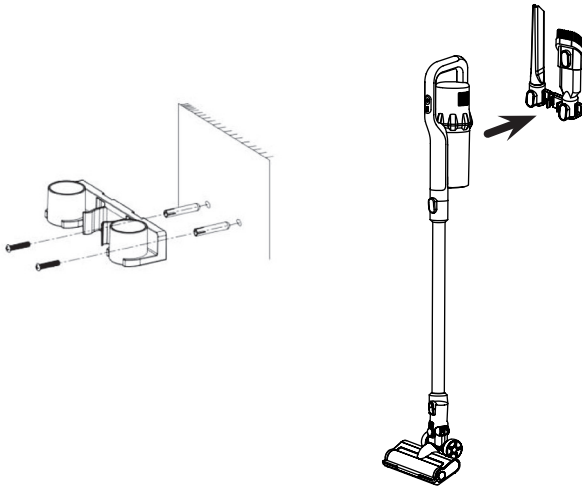
- Push the sliding open/close lock to the unlock position, push the side cover backward at the same time, and take out the roller brush from the bed brush.
- Remove the hairs or dust around the roll brush, rinse the roll brush with water gently, let it air-dry completely before reassemble.
- After cleaned, install the rolling brush inside the motorized bed brush. Align the end of the roller brush with the inner buckle of the side cover, make sure the rolling brush is proper seat in position, and push the side cover back to the locked position.



**NOTE:** All accessories must dry thoroughly before installing into the appliance.

## Storage with Wall mount hanger

- After cleaning, you can store your appliance on the wall mount hanger. Position the wall mount hanger against the wall and mark the points at which the fastening screws are to be inserted. Using a drill, drill the holes for the screws, insert the plastic anchor provided, then hang the wall mount hanger on the screws, and tighten the screws up to their full extent.



# TROUBLESHOOTING

**Warning:** Please turn off the vacuum cleaner before maintenance, otherwise it may cause electric shock or other personal injury.

PROBLEM	POSSIBLE CAUSES	SOLUTION
Vacuum cleaner does not run	<ol style="list-style-type: none"> <li>1. The battery is exhausted</li> <li>2. The used charger is not original.</li> </ol>	<ol style="list-style-type: none"> <li>1. Charge the battery according to the instructions</li> <li>2. Make sure that the charger matches the model you are using</li> </ol>
The sound of the machine is abnormal	The dust cup is full of garbage, or the air duct is blocked	Take out the dust cup and clean up the garbage or blockage
The suction power is weakened	<ol style="list-style-type: none"> <li>1. The dust cup is full</li> <li>2. The filter needs to be cleaned</li> <li>3. Need to replace a new filter</li> <li>4. The connection of tubes, or the 2-in-1 crevice tool or other accessories with handheld vacuum cleaner are not installed in place</li> <li>5. The suction nozzle is blocked and the pipe is blocked</li> <li>6. The battery power is low.</li> </ol>	<ol style="list-style-type: none"> <li>1. Clean the dust cup</li> <li>2. Clean the filter according to the instructions on the manual</li> <li>3. Contact customer service to purchase a replacement filter</li> <li>4. Follow the instructions to reinstall</li> <li>5. Clean the nozzle and tube</li> <li>6. Charge the battery according to the instructions;</li> </ol>
The LED floor brush does not work	<ol style="list-style-type: none"> <li>1. The brush roller is stuck or entangled by the hairs or strings, and the machine stop automatically and is protected</li> <li>2. The installation method of the roller brush is incorrect</li> <li>3. The motor runs, but the roller brush does not rotate</li> <li>4. The connection among the long connecting tube and the LED floor brush with the main unit is not installed in place</li> </ol>	<ol style="list-style-type: none"> <li>1. Clean the LED floor brush according to the instructions, and then restart the vacuum cleaner;</li> <li>2. Reinstall the roller brush according to the instructions on the user manual</li> <li>3. If the conveyor belt is broken, contact the after-sales maintenance center for repair</li> <li>4. Reinstall the long connecting tube, the LED floor brush and the main unit according to the instructions</li> </ol>
Dust spurts out when using	<ol style="list-style-type: none"> <li>1. Filter is not installed</li> <li>2. The installation position of the filter is incorrect</li> <li>3. The filter is damaged and needs to be replaced</li> </ol>	<ol style="list-style-type: none"> <li>1. Check whether the filter has been installed correctly according to the instructions</li> <li>2. Install the filter correctly according to the instructions</li> <li>3. Contact customer service to purchase a replacement filter</li> </ol>
Vacuum cleaner stops working automatically	<ol style="list-style-type: none"> <li>1. Battery pack is running out of power</li> <li>2. Clogging of the suction nozzle and blockage in the pipe cause the overheating of the main unit</li> <li>3. Filter blockage</li> </ol>	<ol style="list-style-type: none"> <li>1. Charge the battery as instructed</li> <li>2. Clean the suction port and tube and cool the main unit to normal temperature and restart</li> <li>3. Clean the filter, dust cup, filter cover according to the instructions</li> </ol>

# PRODUCT SPECIFICATIONS

Model no.:	GVC150RD
Voltage:	DC 22.2V
Output power:	150W Main unit 15W LED floor brush 12W Motorized bed brush
Charging time:	Approx. 4 - 5 hours
Two Speed of run time:	About 17 mins (High) / 30 mins (Low)
Product Dimension (mm):	
Stick Vac with LED floor brush:	1060(H) x 235(W) x 160(D) mm

\*The final product specification may be varied according to a different lot of material and actual input voltage power of the usage area.

閱讀下列說明事項並請妥善保管，以供日後參考。

## 安全指引 - 一般安全

- 請按照這些說明事項, 使用本產品。
- 本產品僅供家用，不作商業用途。
- 使用前，請將所有包裝材料拆除。
- 0至8歲的兒童不應使用本產品。
- 超過8歲的兒童可使用本產品，但請勿由肢體不健全、感覺或精神上有障礙或缺乏相關經驗和知識的人使用，除非有負責他們安全的人對他們使用本產品進行監督或指導。
- 請務必看顧好兒童，以確保他們不玩耍本產品。
- 兒童不應清潔或維修本產品。
- 當需進行任何維修，必須由專業維修人員進行維修。永遠不要嘗試自己修理本產品。
- 手濕時不可以接觸電源插頭或本機。
- 主機不可以浸入水中。
- 兒童不可以把玩本機。
- 本機開著後不可以無人監管。
- 當本機開著時，頭髮、鬆身衣物、手指和身體其他部份都要離開本機。
- 只使用隨機附送的配件。

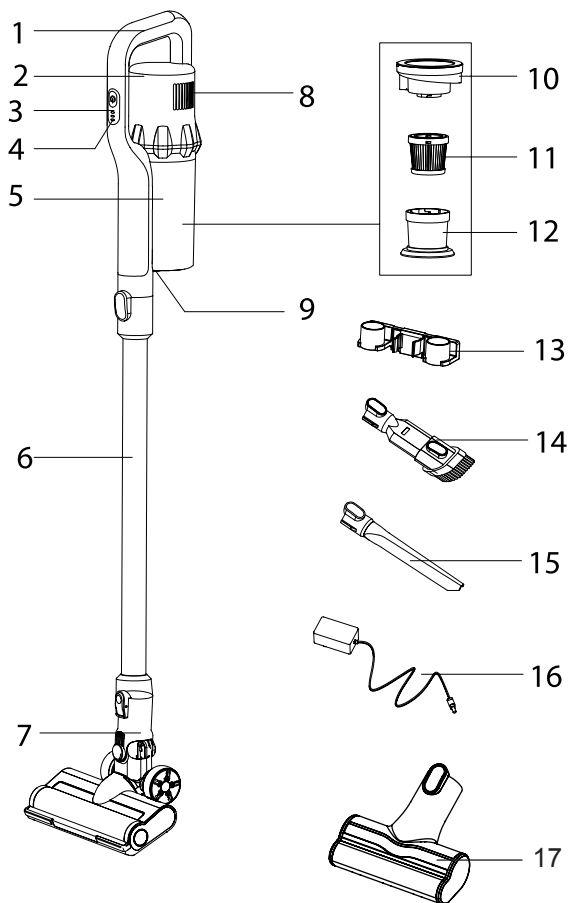
## 安全指引 - 電子和熱能產品

- 使用相符的電源和電壓，以防止觸電。
- 本產品只能使用帶接地線的電源插座。
- 當本產品不使用時，請從牆上的插座中拔掉插頭。
- 從牆上插座中拔掉插頭時，應拿著插頭而不是電源線。
- 確保本產品、電源線和插頭不與水接觸。
- 確保本產品、電源線和插頭不接觸發熱表面，如明火。
- 定期檢查本產品的電源線以確保其沒有損壞。如果電源線損壞，請勿使用其產品，並須由專業維修人員來更換，以避免出現任何危險。
- 切勿在易燃材料附近使用本產品。

## 安全指引 - 操作期間

- 請勿用潮濕的手插拔電源插頭或接觸本產品。
- 如果本產品落入水中，立即從插槽中拔下插頭，並且不要再次使用本產品。
- 切勿將本產品、電源線或插頭浸入水中或其他液體中。
- 使用後徹底清潔本產品 (請參閱“清潔和保養”)
- 不可吸入任何可能產生泡沫的洗滌劑或水溶液。
- 產品運作時，不可拆卸本產品。
- 確保塵網組件安裝好，才可使用本產品，否則可能造成損壞。
- 吸入口與通風口不得遮蓋或堵塞。不可阻塞所有開口，開口被阻塞時不可使用。
- 不可使用本產品吸入任何正在燃燒/燃點的物品，如燃點的香煙或煙灰。不可吸入任何爆炸性物質、易燃性物品、可燃性液體、高溫物品、毒性物質、有機溶劑、腐蝕性或強酸性物質。
- 不可吸入如玻璃碎片、釘子、石頭、針頭或刀片等邊緣銳利的物品。以免過濾器受損。
- 不可使用碗碟機清洗本產品的組件。
- 本產品運作時，請勿觸摸旋轉刷的任何部分，否則可能造成機械損壞。
- 請勿吸水或其他液體，尤其是地毯清潔液，內部濕氣或水可能導致電器短路。
- 請勿吸入雷射印表機、影印機內部使用的碳粉、色粉等，否則可能導致火災或爆炸。
- 不要吸入大量石膏、水泥和大片紙片等，這些物體可能會堵塞過濾器，必須及時清理。
- 本產品無法吸取電池上的碳粉、鉛粉，不能在危險場所或工業生產場所使用，以免非地板、普通地面、地毯特殊灰塵對產品造成損壞，以及甚至爆炸。
- 本產品只能吸乾垃圾，不得用於吸液體。
- 在極端使用和溫度條件下，電池可能會發生漏液，如果皮膚不慎沾到洩漏的電池液，請立即用清水沖洗，如眼睛沾到液體，除用清水沖洗外，請立即用清水沖洗到醫院檢查治療情形。
- 本產品配備專用鋰電池和充電器，請勿自行更換電池或使用其他充電器，以免損壞產品並造成其他危險。本充電器僅適用於本產品，請勿以其為其他電池組充電，以免造成危險。

# 部件示意圖



1. 手柄
2. 主機
3. 高/低速模式按鈕
4. 電池量及充電顯示燈
5. 塵箱
6. 鋁管
7. 電動連LED探測燈地扒
8. 出風口
9. 塵箱釋放按鈕

10. 塵箱蓋
11. 過濾網
12. 不鏽鋼過濾網
13. 掛架
14. 2合1伸縮縫隙吸咀
15. 扁吸咀
16. 火牛
17. 電動床刷

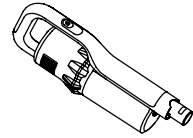
# 充電

在第一次使用吸塵機前，先把電池充電約 4 - 5 小時。

**注意：**吸塵機在充電時不能正常工作。

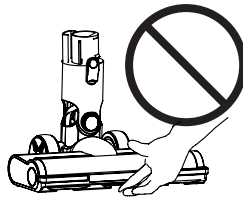
- 吸塵器使用時，指示燈可即時顯示電池電量狀態。  
當最後一個燈開始閃爍時，表示吸塵器電量不足。


- 吸塵器配有專用火牛，接通電源後，充電指示燈會循環亮起，表示吸塵器正在充電。當三個指示燈亮起時，電池電量已充滿電。



# 安裝及使用說明

**警告：**電動刷含有滾動部件！為了避免人身傷害，吸塵器運轉時請勿觸摸滾刷，如觸摸旋轉的滾輪可能會導致割傷、受傷或其他傷害，進行吸塵器維護時，請先關閉機器，如果兒童於附近請注意安全。

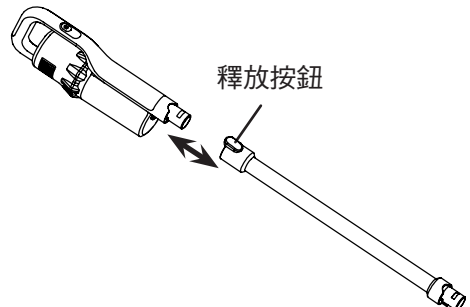


充滿電後，長按電源開關按鈕“”開始工作，吸塵器開始時會在低速下工作，再短按一次按鈕可切換為高速。再按一次即可停止操作。(低-高-停止，依次循環)

## 安裝和拆卸鋁管

安裝方法：將鋁管的末端插入主機，聽到“噠”一聲後，鋁管便是安裝到位。

拆卸方法：一隻手按著鋁管釋放按鈕，另一隻手握著鋁管並將其移開，然後把鋁管卸下。

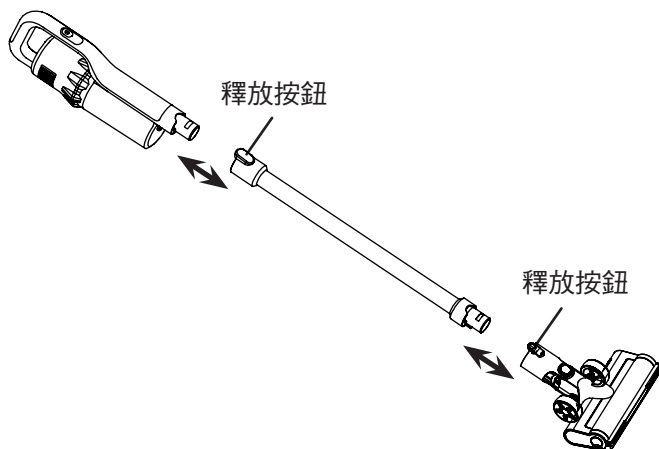




## 安裝和拆卸電動連LED探測燈地扒 / 鋁管

安裝方法：將鋁管的首端插入地扒，聽到“咔嚓”一聲後，電動連LED探測燈地扒便是安裝到位。

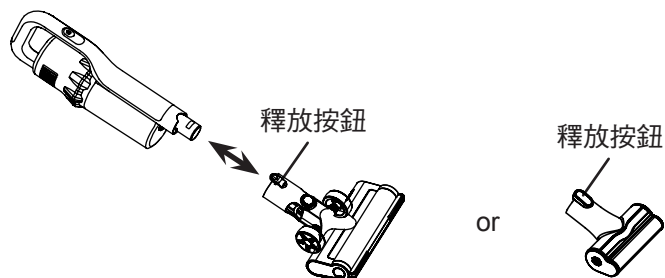
拆卸方法：一隻手按著鋁管釋放按鈕，另一隻手握著電動連LED探測燈地扒，然後將電動連LED探測燈地扒卸下。



## 電動連LED探測燈地扒 / 電動床刷和主機連接

安裝方法：將電動連LED探測燈地扒 / 電動床刷插入主機，聽到“咔嚓”一聲後，電動連LED探測燈地扒 / 電動床刷便是安裝到位。

拆卸方法：一隻手按著主機釋放按鈕，另一隻手握著電動連LED探測燈地扒 / 電動床刷，然後把電動連LED探測燈地扒 / 電動床刷卸下。

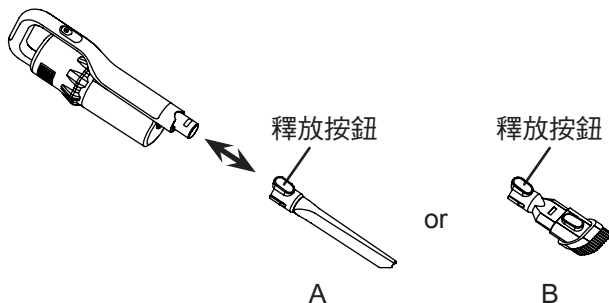


## 配件

### 2合1伸縮縫隙吸咀 / 扁吸咀和主機連接

A：扁吸咀 - 用於清潔的地方，如窗框和縫隙等。

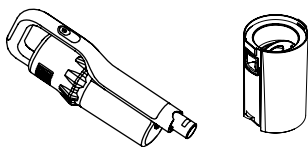
B：除塵毛刷 - 按下2合1伸縮縫隙吸咀釋放按鈕，再推出除塵毛刷，用於清潔凹凸及柔軟的表面，如傢俱、百葉窗簾等。



## 清潔和保養

### 清理塵箱

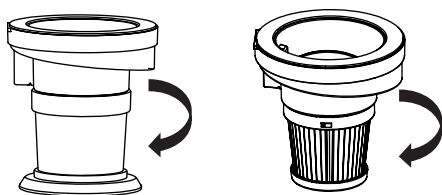
- 在清洗任何部件之前，確保吸塵機已關上。
- 按下塵箱前方的釋放按鈕，把塵箱及主機分離。
- 把塵箱內的垃圾清理。
- 如需要，可用乾淨水輕輕地沖走灰塵，待塵箱過濾器及過濾網完全清潔及完全風乾才裝回本機。



**注意：**過濾網可能在一段時間後被堵塞，而減弱吸力。因此，過濾網更換是很重要的。

## 高效能過濾網

- 過濾網可能在一段時間後被堵塞, 而減弱吸力。因此, 過濾網更換是很重要的。
- 取出過濾器和過濾器蓋, 從機器上拆下塵箱, 然後取出過濾器組件, 然後逆時針旋轉過濾器蓋將其從組件上取下, 然後逆時針旋轉過濾器將其取出。



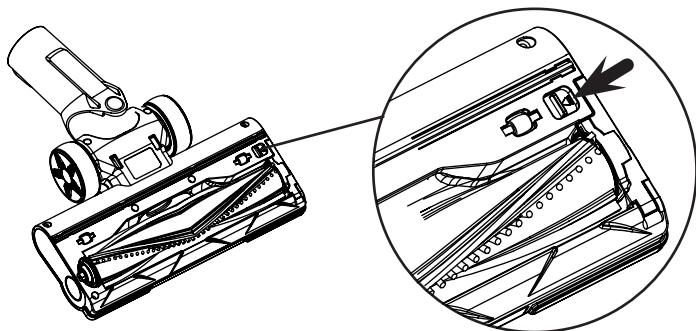
**注意：**塵杯及所有過濾網不完全風乾, 剩餘的水分可能進入吸塵機內部, 對吸塵機電路裝置造成損壞, 影響吸力效果及使機器內部部件傳出異味。

**提醒：**請勿放置過濾器, 過濾器蓋在潮濕的地方。清洗後的過濾器應自然風乾。請勿用風筒加速吹乾, 可能會損壞過濾器並縮短其使用壽命。

## 清潔電動連LED探測燈地扒

電動連LED探測燈地扒可能會被大的物體阻擋, 或者被頭髮或長線環繞。需要及時清理滾刷。

- 按下地刷底部的滾刷釋放鈕並向後撥動, 鎖扣會自動彈起。



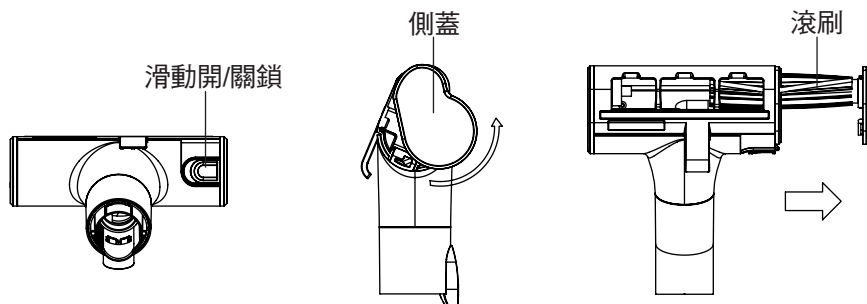
- 把所有毛髮及污塵清走，用乾淨水輕輕地沖走滾刷上的灰塵，待完全清潔及完全風乾才裝回電動地扒。



- 清理完畢後，需風乾再將滾刷安裝在電動地扒內。確保滾刷是裝回位置。將滑動開/關鎖推回鎖定位置。

### 清潔電動床刷

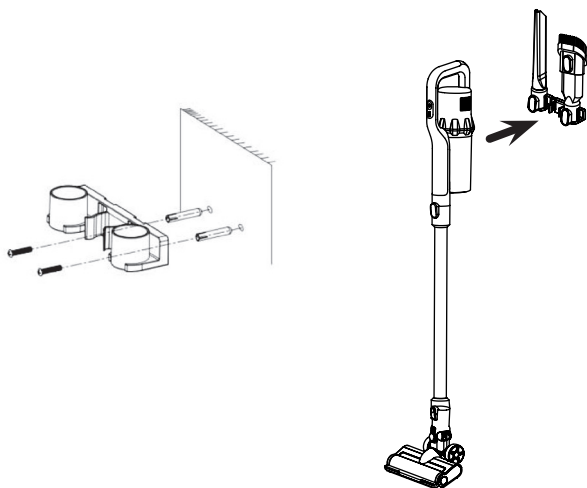
- 電動地耙可能會被大的物體阻擋，或者被頭髮或長線環繞。需要及時清理滾刷。
- 將滑動開/關鎖推至開鎖位置，同時把側蓋向後推，把在地刷內的滾刷取出。
- 把所有毛髮及污塵清走，用乾淨水輕輕地沖走滾刷上的灰塵，待完全清潔及完全風乾才裝回電動地耙。
- 清理完畢後，需風乾再將滾刷安裝在電動地耙內。滾刷末端對準側蓋內扣位，確保滾刷是裝回位置，連同側蓋推回鎖定位置。



**注意：**所有配件必須風乾完成後，才裝回機身。

## 掛牆式或直立式站立以便儲藏

清潔後，可將本產品存放在牆掛支架上。將掛牆支架靠在牆壁上並標記要插入緊固螺絲釘的位置。使用鑽頭鑽出螺絲釘孔，插入提供的膠塞，然後將掛牆支架釘在螺絲釘上，並將螺絲釘擰緊。



## 疑難排解

警告：維護前請關閉吸塵器，否則可能導致觸電或其他人身傷害。

問題	可能原因	解決方法
吸塵器不運作	<ol style="list-style-type: none"> <li>1. 電池電量耗盡</li> <li>2. 不是原廠的的充電器。</li> </ol>	<ol style="list-style-type: none"> <li>1. 依照指示為電池充電；</li> <li>2. 確保充電器與您使用的型號相匹配</li> </ol>
機器發出異聲	塵杯內裝滿垃圾，或風道堵塞	取出集塵杯，清理垃圾或堵塞物
吸力減弱	<ol style="list-style-type: none"> <li>1. 塵杯已滿</li> <li>2. 過濾器需要清洗</li> <li>3. 需要更換新濾芯</li> <li>4. 與手持式吸塵器的連接管、縫隙吸嘴或其他配件未安裝到位</li> <li>5. 吸嘴堵塞、管路堵塞</li> <li>6. 電池電量低</li> </ol>	<ol style="list-style-type: none"> <li>1. 清潔塵杯</li> <li>2. 依照說明書上的指示清潔過濾器</li> <li>3. 聯絡客服購買替換過濾器</li> <li>4. 依照指示重新安裝</li> <li>5. 清潔噴嘴和管子</li> <li>6. 依照指示為電池充電</li> </ol>
電動連LED探測燈地扒不工作	<ol style="list-style-type: none"> <li>1. 滾刷被毛髮、繩子卡住或纏繞，機器自動停機</li> <li>2. 滾刷安裝方法不正確</li> <li>3. 馬達運轉，但滾刷不轉動</li> <li>4. 連接管及電動連LED探測燈地扒與主機的連接未安裝到位</li> </ol>	<ol style="list-style-type: none"> <li>1. 依照指示清潔電動連LED探測燈地扒，然後重新啟動吸塵器</li> <li>2. 依照說明書重新安裝滾刷</li> <li>3. 若輸送帶斷裂，聯絡售後維修中心維修</li> <li>4. 依照說明書重新安裝長連接管、電動連LED探測燈地扒和主機</li> </ol>
使用時噴出灰塵	<ol style="list-style-type: none"> <li>1. 未安裝過濾網</li> <li>2. 過濾器安裝位置不正確</li> <li>3. 過濾網損壞，需更換</li> </ol>	<ol style="list-style-type: none"> <li>1. 檢查過濾器是否依照說明書正確安裝</li> <li>2. 依照指示正確安裝過濾器</li> <li>3. 聯絡客服購買替換的過濾器</li> </ol>
吸塵器自動停止運作	<ol style="list-style-type: none"> <li>1. 電池組沒電了</li> <li>2. 吸嘴堵塞、管路堵塞導致主機過熱</li> <li>3. 過濾器堵塞</li> </ol>	<ol style="list-style-type: none"> <li>1. 依照指示為電池充電</li> <li>2. 清洗吸口及管路，並將主機冷卻至常溫後重新啟動</li> <li>3. 依指示清潔濾網、塵杯、濾網蓋</li> </ol>

## 產品規格

型號：	GVC150RD
電壓：	DC 22.2V
功率：	150瓦 主機 15瓦 電動連LED探測燈地扒 12瓦 電動床刷
充電時間：	約 4 - 5小時
電池使用時間：	約 17分鐘 (高速) / 30分鐘 (低速)
產品尺寸(毫米)：	
直立式吸塵機連地耙：	1060(高) x 235(闊) x 160(深) 毫米

\* 相關產品的規格，可能會因配件批次或實際使用地區的電壓差異而有所不同。

請記錄下列產品資料

型號 Model No.:

機身編號 Serial No.:

經銷商名稱 Dealer:

購買日期 Date of Purchase:

單據編號 Invoice No.:

本產品不斷改進中，如功能有所更改，恕不另行通知  
如有疑問，請與客戶服務中心聯絡。不便之處，敬請原諒。

The product specifications may be changed without prior notice.  
Please contact customer service for details if necessary.

說明書內容以英文版本為準

If there is any inconsistency or ambiguity  
between the English version and the Chinese version,  
the English version shall prevail.

保養登記  
Warranty Registration



於網上登記新產品保養  
Register your product online  
[www.dchtoolbox.com](http://www.dchtoolbox.com)

小電維修服務 - 自攜點  
Repair Service - Collection Points



客戶服務中心 DCH ToolBox Customer Service Centre  
香港九龍灣啟祥道20號大昌行集團大廈4樓  
4/F, DCH Building, 20 Kai Cheung Road, Kowloon Bay, Hong Kong

客戶服務熱線 Customer Service Hotline: (852) 8210 8210  
電郵地址 E-mail: [8210service@gilman-group.com](mailto:8210service@gilman-group.com)  
網址 Website: [www.gilman-group.com](http://www.gilman-group.com)