

geminipro
ITALY

**1.5L KETTLE WITH
DOUBLE WALL**

1.5升電熱水壺

**MODEL NO 型號: GSK15
1850 - 2200W**



A GILMAN GROUP BRAND

Please read and retain for future reference.

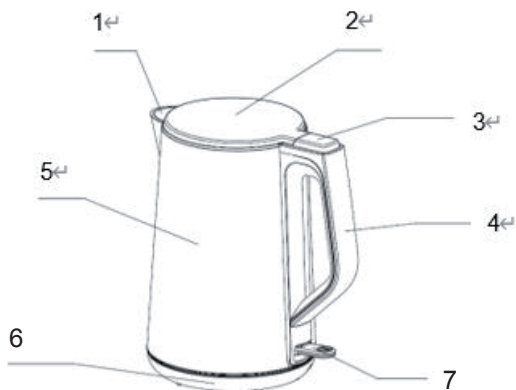
SAFETY INTRUCTIONS

1. Please read these instructions carefully and retain them for reference.
2. This appliance is not intended for use by persons (including children) with reduced physical, sensory or mental capabilities, or lack of experience and knowledge, unless they have been given supervision or instruction concerning use of the appliance by a person responsible for their safety. Children should be supervised to ensure that they do not play with the appliance.
3. Have any repairs carried out solely by a qualified electrician. Never try to repair the appliance yourself.
4. Never use the appliance outdoors.
5. Never use the appliance in a humid room.
6. Do not place the electric kettle in the work of the platform near the window, prevent any accidents and short circuit caused by outdoor weather.
7. Place the appliance on a flat, stable surface.
8. Never allow the power cord to hang over the edge of the draining board, worktop or table.
9. Do not place any objects covered the kettle.
10. Make sure that your hands are dry before touching the appliance, power cord or plug.
11. Always remove the plug from the wall socket after use, and before cleaning the appliance.
12. Do not pick up the appliance if it falls into water. Remove the plug from the wall socket immediately and do not use the appliance any more.
13. Use solely the power base supplied with the jug kettle. Never use the power base for other purposes.
14. Remove the jug from the power base, and fill with water from the tap. Never fill the jug above the 'MAX' 1.5 litre level.
15. Do not switch on the appliance before you have filled it with water. Fill only with cold water.
16. The jug's lid must remain securely closed whilst the appliance is in use.
17. Never open the lid when the water is still boiling.
18. Use the appliance only to boil or heat water. Never use it for other liquids!
19. Fill the jug kettle with at least MIN (0.5 litres) of water and above the water level MIN.
20. Allow the appliance to cool to room temperature before storage.
21. This appliance may not be used through an external timer or by means of a remote control.
22. The heating element surface is subject to residual heat after use.
23. If the supply cord is damaged, it must be replaced by the manufacturer, its service agent or similarly qualified persons in order to avoid a hazard.

This unit is for HOUSEHOLD USE ONLY.

PRODUCT REVIEW

1. Spout
2. Top lid
3. Lid release button
4. Handle
5. Body
6. Power base
7. On/off switch with pilot light



BEFORE USE FOR THE FIRST TIME

Before first use, remove possible manufacturing process residues by boiling 3 full kettles of water. Dispose this water.

Tip: You can use vinegar or special descaling agents for the first time.

USE

1. Turn the jug so that the spout faces away from you.
2. Press the top lid (2) to open or close the lid of the kettle.
3. Fill the jug with the required quantity of water (at least MIN (0.5 litres) and a MAX of 1.5 litres). Never fill the water boiler over the "MAX". Otherwise the hot water can spatter out of the power base.

ATTENTION

Make sure that you do not spill any water on the power base.

4. Release the button to open the lid.
5. Place the jug on the power base, and insert the plug in the wall socket. Push down the on / off switch. The on/off pilot light will illuminate.
6. The jug kettle is now switched on, and the water will now begin to heat. The jug kettle switches off automatically a few seconds after the water has come to the boil. The on/off pilot light will now extinguish.
7. Remove the jug from the power base by the handle, and pour the water out.
8. Remove the plug from the wall socket when you have finished using the jug kettle.

ATTENTION

Be careful you do not contact the hot water. It can cause serious burning wounds.

NOTE

To operate the kettle, please fulfill the following conditions:

1. Connect the power source;
2. Fill the jug with the required quantity of water (at least (0.5 litres) and a maximum of 1.5 litres);
3. Ensure the kettle body place on the power base at a flat, stable surface, and press on/off switch.

CAUTION

1. Do not put the product into water or sprinkle water on it, otherwise, it may cause short circuit and electric shock.
2. Do not touch the body of the kettle when they are hot, otherwise it may cause scald.
3. Do not open the lid or pour out boiled water when during the course of boiling, otherwise, boiled water will easily sprinkle and steam will jet out which may cause scald.
4. Use qualified socket independently which shall meet the rated power supply of the product, unplug the power plug from the socket, when not in use for a period of time, it may cause heat or fire if the product shares one socket with other electrical appliances.

OVERHEATING PROTECTION

Do not turn on the kettle if it is empty. The incorrect use of the kettle may negatively affect its lifetime. If you accidentally turn on the kettle without water or less than MIN (0.5 Litres) water, the thermostat will, after reaching a certain temperature, interrupt the electric circuit. The switch will move to the OFF position and the indicator light will turn off. Allow the kettle to cool down for at least 10 minutes before using it again.

CLEANING AND MAINTENANCE

1. Remove the plug from the wall socket, and allow the appliance to cool.
2. Clean the jug with a damp cloth. Never immerse the appliance in water. Never put the appliance in a dishwasher. Make sure that the electrical connections do not become damp.
3. If the interior of the jug has become severely discoloured, then the best way to clean it is with a damp cloth and a little washing soda. After cleaning, rinse the jug very thoroughly.

ATTENTION

1. Before cleaning, make sure that the appliance is not connected to the power supply and that it has cooled down.
2. Never use corrosive or scouring cleaning agents or sharp objects (such as knives or hard brushes) to clean the appliance.

DESCALING

Lime will be deposited on the heating element at a rate depending on the hardness of the water. For this reason the heating element must be cleaned at regular intervals.

1. Remove the plug from the wall socket, and allow the appliance to cool.
2. Fill the jug with a vinegar and mixed water cleaning solution to the MAX (1.5L) water level and boil it.
3. After boiling, leave the jug with the vinegar solution to stand for a couple hours.
4. Empty the jug, fill with clean water to the MAX (1.5L) water level, and bring to the boil. Empty the jug. Repeat this process twice.

Never use ammonia or other products to descale the appliance. These can be injurious to your health. Use solely a vinegar solution, or special descaling agents available from retailers.

SPECIFICATIONS

Model No.:	GSK15
Mains Voltage & Frequency:	220-240V ~ 50/60Hz
Power consumption:	1850-2200W
Capacity:	1.5 litres
Product Dimension:	251(H) x 160(W) x 230(D) mm

* The final product specification may be varied according to a different lot of material and actual input voltage power of the usage area.

閱讀下列說明事項並請妥善保管，以供日後參考。

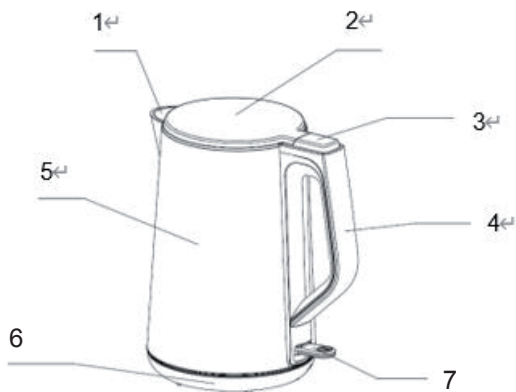
安全指引

1. 請於操作前詳閱操作指引 (以英文版為準)
2. 兒童、傷健人仕、精神及感官受到影響及缺乏操作常識和經驗者不適宜獨立操作此產品。如需操作需有相關人仕從旁指引及對其行為安全負責。
3. 如電水壺出現問題，請聯絡代理商或合資格人仕處理並不要自行對其進行維修以免發生危險。
4. 此電水壺只適用於家居室內操作，並不適用於商業用途。
5. 不要在濕度高的空間內使用。
6. 不要放置電水壺在靠近窗邊工作的平台上工作，以免受室外天氣影響致短路等意外發生。
7. 使用此電水壺時需放置在穩定, 平面, 及不受阻礙的平台上操作。
8. 不要放置電源線在工作平台的邊緣以防發生危險。
9. 使用時不要放置任何物件蓋著或阻礙電水壺運作。
10. 使用電水壺時需保持雙手乾爽以免發生危險。
11. 清潔前或發生故障時需要關上電水壺並從電源插座移除插頭。
12. 當電水壺墜入水時，立刻移除插頭及不要再使用此電水壺。
13. 不要使用提供以外的無線底座對電水壺進行連接或使用提供的無線底座作其他用途。
14. 使用電水壺加熱食水前，請從無線底座取出電水壺並注入食水，注入食水時不要超過顯示線上的“MAX” 1.5 公升的指示以防熱水溢出。
15. 動前需注意電水壺已注入冷水，不要在空載時啟動電水壺。
16. 電水壺在操作時需確保壺蓋已關上以防發生危險。
17. 不要在操作時開啓電水壺壺蓋。
18. 此電水壺只可加熱食水，不能加熱其他液體以免對電水壺造成損害。
19. 最小的注水量為MIN (0.5 公升)，注水時需注意食水已過MIN的水線上。
20. 使用完畢後進行收藏前需確保電水壺已降溫至室溫。
21. 不要使用任何外置式的時間掣或遙控掣對電水壺進行操控。
22. 產品使用後，發熱盤表面會有餘熱。
23. 如本產品的電源線有損壞痕跡，為保障安全，請立即停止使用並聯絡供應商或代理商或合資格人員作更換。

注意! 此電水壺只適合家庭用途，並不適合作商業及工業用途。

部件示意圖

1. 水壺嘴
2. 電水壺蓋
3. 壺蓋開啟按鈕
4. 手柄
5. 機身
6. 有線底座
7. 開關掣



首次使用前

請於首次使用前先移除所有包裝物料並確保沒有阻礙運作的物料存在。並在初次使用時，先行煲煮三次並於每次完成後排出已煮的熱水。

注意! 初次用此電水壺時可用稀釋的食用白醋對其進行清潔。

操作使用

1. 使用此電水壺時不要將其出水口對著使用者。
2. 按著電水壺壺蓋(2)開關打開壺蓋。
3. 注入所需加熱的食水容量，最小為MIN(0.5公升)而最大為MAX(1.5公升)。注入食水時需注意注入量不能低於最小容量及高於最大容量以免對電水壺操作造成損害或熱水溢出。

提示: 不要在有線底座上溢出或灑上任何液體。

4. 蓋上電水壺壺蓋直至聽到聲音。
5. 將電水壺放在有線底座上並連接電源，接著按下開關掣而指示燈會自動亮著。
6. 當電水壺開動後，加熱程序會啟動並煮熱至沸騰溫度。完成後會自動停止加熱而指示燈會熄滅。
7. 等指示燈熄滅後便可從有線底座移除電水壺並倒出熱水。
8. 完成後可切斷電源連接以保安全。

提示: 不要接觸倒出的熱水或加熱中的熱水以免對身體造成損害。

注意

使用電水壺時，請具備以下條件：

1. 連接電源；
2. 注入所需加熱的食水容量，最小為0.5公升而最大為1.5公升；
3. 確保電水壺機身放置在穩定及平面的有線底座上，再按下開關掣操作。

警告

1. 不要將產品放在水中或濺水，否則，可致短路和觸電。
2. 使用本產品時，切勿接觸電水壺的表面，否則，可致燙傷。
3. 煮沸中不要打開壺蓋或倒熱水，否則，熱水飛濺和蒸氣噴出可致燙傷。
4. 單獨使用符合額定電源的電源插座，不使用時，從電源插座上拔下電源插頭，若與其它電器產品共用，可致發熱，發生火災。

過熱保護

為延長本產品的壽命，當水壺沒有水時，請勿煲水。如果您在沒有水或水位低於MIN(0.5公升)的情況下，意外地打開水壺，恆溫器在達到一定溫度後，便會中斷電路。開關將移至OFF位置，指示燈將熄滅。此功能啟動後需待 10 分鐘或以上(待水壺完全冷卻後)才能正常運動。

安全保護

電熱水壺具有提壺斷電功能。確保電水壺機身放置在有線底座上，以打開開/關掣。在任何情況下，電水壺機身離開有線底座後，不能按下開/關開關。手持水箱頂蓋把手垂直拉出水箱。

日常清潔及維護

1. 中斷電源並移除插頭。
2. 用軟質潔布對電水壺進行外部清潔，不要將電水壺/無線底座/電源連接部份置入水或洗碗碟機進行清潔。完成後需用乾布抹乾才可放回。
3. 如水壺內出現變色情況，可用微量食用梳打水沾濕軟質潔布對其進行清潔。完成後可用食水沖洗數次才可再行操作。

提示

1. 確保清潔前已中斷電源。
2. 不要用腐蝕性的清潔劑或尖銳的清潔工具對電水壺進行清潔，以免造成損害。

清洗沉澱物

鈣化物或其他物質會因長期使用而附在電水壺內。為確保安全及產品使用需定期進行整理。

1. 清潔前請中斷電源並確保電水壺已冷卻至室溫。
2. 注入稀釋的食用白醋及混和水的清潔液至MAX(1.5L)最大注水位置並進行加熱。
3. 待加熱完成後，待清潔液浸在電水壺內數小時。
4. 完成浸洗後，把其液體倒出，再注入食水至MAX(1.5L)最大注水位置並進行加熱，此步驟需進行 2 次以便完成整個清潔程序。

不要使用其他清潔液進行清潔程序以防化學物質對使用者健康造成損害。

產品規格

型號: GSK15
電壓及頻率: 220-240V~ 50/60Hz
功率: 1850-2200W
容量: 1.5升
產品尺寸: 251(高) x 160(闊) x 230(深) 毫米

* 相關產品的規格，可能會因配件批次或實際使用地區的電壓差異而有所不同。

請記錄下列產品資料

型號 Model No.:

機身編號 Serial No.:

經銷商名稱 Dealer:

購買日期 Date of Purchase:

單據編號 Invoice No.:

本產品不斷改進中，如功能有所更改，恕不另行通知
如有疑問，請與客戶服務中心聯絡。不便之處，敬請原諒。
The product specifications may be changed without prior notice.
Please contact customer service for details if necessary.

說明書內容以英文版本為準
If there is any inconsistency or ambiguity
between the English version and the Chinese version,
the English version shall prevail.



保養登記
Warranty Registration

於網上登記新產品保養 Register your product online
www.dchtoolbox.com



客戶服務中心 DCH ToolBox Customer Service Centre
香港九龍灣啟祥道20號大昌行集團大廈4樓
4/F, DCH Building, 20 Kai Cheung Road, Kowloon Bay, Hong Kong

客戶服務熱線 Customer Service Hotline: (852) 8210 8210
電郵地址 E-mail: 8210service@gilman-group.com
網址 Website: www.gilman-group.com