

gemini
ITALY

**MINI HEALTHY STEAM RICE COOKER
(0.3L)**

迷你養生蒸氣飯鍋(0.3公升 1-2人用)

MODEL NO./型號:GRC3GN

300W

Before using your product for first time, please read this instruction manual.
在使用本產品前，請仔細閱讀本說明書並保存好

IMPORTANT SAFETY INSTRUCTIONS

When using this appliance, basic precautions should always be followed including the following:

Read all instructions before use:

1. This product is only for home use, not for outdoor.
2. Remove the product from the outlet to the "off " mode before unplugging the plug from the outlet. Do not use the way to pull the power cord to unplug the plug, should be hold the plug and remove it from the socket. Do not pull down the plug directly from the socket by pressing the rewinding system directly. Remove the plug from the socket by hand and then retract the wire.
3. Do not allow the wires to touch the hot surface. Before removing and cleaning, the product must be completely cooled.
4. When not in use, be sure to unplug the power plug from the power outlet.
5. If the power cord is damaged, please stop using the product immediately. In order to avoid electric shock, do not disassemble and reassemble. If any damage, please carry it to our maintenance center. Unauthorized repair / modification or product for non-product design, purposes warranty will not provide
6. Children should be supervised to make sure they don't play with the device.
7. Touch hot metal parts or steam may burn.
8. Don't touch the inside of the product while it is in operation.
9. Home appliances should not use an additional timer or independent Trent control system peration.
10. The power cord should not be hung from the edge of the table or in contact with hot surfaces. In case of damage to the power cord.
11. This product should not be placed next to objects with high temperature.
12. Warning: If the control panel deform , please stop using the product immediately to avoid electric shock.
13. After the inner pot is washed,wipe it with a dry cloth to put it into the rice cooker.
14. The bottom of the inner pot should avoid collision to prevent deformation, and other containers should not be used instead of the inner pot. The inner pot and the heating plate should be kept clean to avoid damage.
15. The inner pot can be cleaned with water. Do not rinse the rice cooker directly with water, or immerse the product in water/other liquids to avoid fire, electric leakage or life safety.
16. When the product is working, it cannot be moved.
17. When cooking, do not cover the venting opening with a cloth or any foreign matter otherwise it will be prone to malfunction.
18. When cooking the rice, do not touch the product, excluding the handle. Do not approach the steam vent to prevent burns.
19. Please use plastic or wooden rice spoon, do not use metal rice spoon to avoid damage to the inner pot surface coating.
20. During the cooking process, after the switch button automatically jumps, do not force the button to be pressed to avoid damaging the rice cooker.

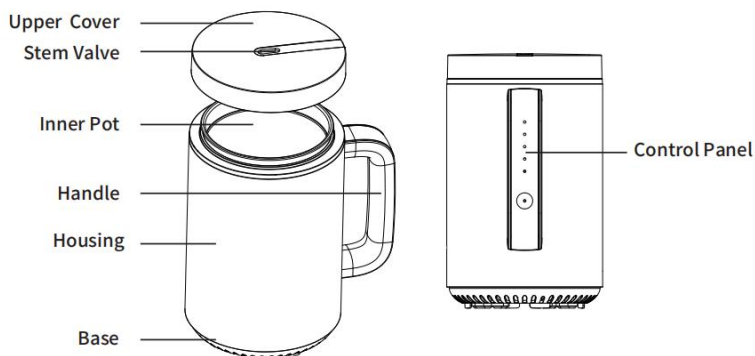
21. Children over 8 years old, persons with weak body, sense, intelligence, inexperience and knowledge can use this machine after they have been given instructions on how to use it safely and are aware of possible dangers. Children should not play with this product cleaning and maintenance can not be handled by children.
22. When first time to use this appliance, a slightly smell and white smoke may be emitted. It is normal status. Please ensure sufficient ventilation, those smell and white smoke will disappear quickly.

Special statement:

1. To avoid overloading the circuit, do not operate the other on the same circuit.
2. If the extension cord is necessary, use a 13 amp cable. A smaller current than this product may cause overheating and short circuit.
3. Please keep this manual for future reference.
4. Do not allow children or untrained personnel to use the product without supervision.
5. Do not immerse the product, power cord, or plug in any liquid. Doing so may cause electric shock or fire.
6. When the product is not in use, disconnect the plug from the power supply.
7. Do not touch the product with wet hands.
8. Do not expose the product to outdoor (rain or under the sun).
9. After inserting the plug into the socket and opening it, make sure that the qualified personnel supervise the use of the product.
10. Before using this product, remove all packaging materials.
11. After unpacking, check for damage and there are no missing parts.
12. All packaging materials, such as plastic bags, poly foam, tape, etc. should be placed in places where children are not exposed, because improper use of these materials will lead to child suffocation, and even death.
13. Use only the parts provided in the product and in the packaging, otherwise it may pose a hazard to the user and may damage the product.
14. Before using the product, please check the product rating label on the power, voltage is consistent. The rating label is attached to the back of the product. If you have any questions, please contact our customer service department for assistance.
15. Do not allow the power cord to touch a sharp edge or hot surface during operation.
16. This product is not a toy, cannot be used directly into the people and animals, otherwise it will be burned.
17. This product cannot be used in unstable locations or burning objects, otherwise it is likely to cause a fire or burn.
18. Parts are not included in the warranty, if you need to be replaced, must be purchased with my company. Parts are not necessarily available, it may take some time to replace.
19. This product is for home use only and should not be used for any commercial purpose.
20. Please must clean the product and kill all the insects before sent to our repair center otherwise our company will charge extra cost for cleaning and pest control.
21. You may notice an odour & gas using the appliance for the first time, use to the insulation material. This is harmless and will subside quickly.

22. Do not use this product near an open flame, on or near the surface of heat-resistant objects such as carpets and plastics. Keep combustible materials away at least 1.5m from the cooker. Do not place the items that are susceptible to steam on top of this product.
23. Do not connect and pull the power cord with wet hands, otherwise it may cause a short circuit or electric shock.
24. When the cooker is in use, hot vapor will emit from top of the vent. Please do not get close or touch the steaming valve when cooking. Do not cover the steaming valve at all times during cooking.
25. Do not leave the unit while it is in operation.
26. Do not use sharp or abrasive items in contact with the inner pot as this will damage the non-stick coating.
27. Do not use extension power cord with other electrical appliance, use wall socket only.
28. Always grasp the plug to disconnect the unit from the power source. Do not pull the cord.
29. Ensure cooking with care, the pot and its outer surface are dried with clean dry cloth before cooking.
30. Please follow the instruction of cooking stated in this manual. Please ensure the content does not exceed the maximum water line engraved inside the cooking pot.
31. This inner pot must be used with the cooker. Please do not use the inner pot with other cooking device. The inner pot should not be used direct on stove.
32. This product is not intended to use by persons (including children) with weak physical condition, slow reaction, mental retardation, lack of experience and common sense, unless they are under supervision or instruction by the person who is responsible for their safety.
33. To avoid danger of electric shock, unplug from outlet when not in use and before cleaning.
34. Regularly check the power cord of this product. If the power cord is damaged, it must be replaced by our after-sales service department or qualified electrician to avoid danger.
35. Do not use accessories that are not supplied with this unit to avoid danger and injury.
36. There is a "warm reminder" message on the product, please pay attention to it before use.
37. Switch the cooker off immediately when the digital touch control panel was touched by mistake, or it will cause dry cooking.
38. Do not put any item or food into the inner pot for storage purpose.
39. This product is not a toy, please do not let children to play with it.
40. Do not wet the heating tray of the main machine.
41. If switch on the cooker with no filled water in the inner pot by mistake, there will be high temperature protection and it will not work. when the top temperature exceeds 105°C or bottom temperature exceeds 165 °C , the cooker will switch to keep warm mode automatically.

PARTS AND FEATURES



Accessories:



Rice scoop



Measuring Cup

CLEANING AND MAINTENANCE

Before using:

1. Read all instructions and important safeguards.
2. Remove all packaging materials and check that all items have been received in good condition.
3. Tear up all plastic bags as they can pose a risk to children.
4. Wash steam valve and all other accessories in warm, soapy water. Rinse and dry thoroughly.
5. Remove the inner cooking pot from rice cooker and clean with warm, soapy water. Rinse and dry thoroughly before returning to cooker.
6. Wipe body clean with a damp cloth.

After cooking:

always clean up food residue and dirt in the rice cooker.

1. Do not use brushes with metal wire and solvent for cleaning contaminated parts of rice cooker.
2. If the remains of food are baked onto the pot, soak it before washing. Clean the inside of the pot.
3. Do not immerse the body into the water. To clean the housing, use a damp, soft sponge or cloth.

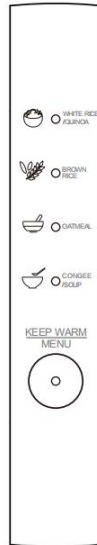
Precautions when using the inner pot of rice cooker:

1. When stirring, please use the rice spoon supplied with the device.
2. Do not pour vinegar into the pot. It can damage the inner surface finish.
3. After using for a while, the pot may vary in color due to the contact with water and

detergent. This is normal, and rice cooker can safely be operated on.

4. Please do not use abrasives for cleaning.

FUNCTION REVIEW



“KEEP WARM/MENU”

There are 4 default programs.

After finished cooking, it will automatically turn to “KEEP WARM”.

When an on-going program is desired to be stopped, press “KEEP WARM/MENU” for 2 second for canceling.

THE “WHITE RICE/QUINOA”

It is a program to cook rice and quinoa.

- Press the “KEEP WARM/MENU” to select “White Rice/Quinoa”, the program starts after 5 seconds automatically.
- During cooking in this mode, it is recommended to keep the lid closed. If the lid places at worry position, it may affect cooking result.
- After finished cooking, small rice cooker beeps and turns to keep warm mode.

THE "BROWN RICE"

It is a program to cook brown rice.

- Press the "KEEP WARM/MENU" to select "White Rice / Brown Rice", the program starts after 5 seconds automatically.
- During cooking in this mode, it is recommended to keep the lid closed. If the lid places at worry position, it may affect cooking result.
- After finished cooking, small rice cooker beeps and turns to keep warm mode.

THE "OATMEAL"

It is a program to cook oatmeal.

- Press the "KEEP WARM/MENU" to select "Oatmeal", the program starts after 5 seconds automatically.
- During cooking in this mode, it is recommended to keep the lid closed. If the lid places at worry position it may affect cooking result.
- After finished cooking, small rice cooker beeps and turns to keep warm mode.

THE "CONGEE/SOUP"

It is a program to cook porridge and soup.

- Press the "KEEP WARM/MENU" to select "Congee / Soup", the program starts after 5 seconds automatically.
- During cooking in this mode, it is recommended to keep the lid closed. If the lid places at worry position it may affect cooking result.
- After finished cooking, small rice cooker beeps and turns to keep warm mode.

INTRODUCTIONS

1. Open the cooker by removing the upper cover.
2. Before start cooking, make sure that the interior and exterior of the device are exempted from the package and have no pollution. Also make sure that between the inner pot and the heating plate surface there are no objects.
3. Place the required ingredient in the inner pot and put the pot into the cooker.
4. Make sure the inner pot was correctly installed on the heating element. Turn the inner pot in multi cooker if the pot is not located in the desired position on the heating plate surface.
5. Keep away from the wall, do not put the cooker close to the wall.
6. Select the menu and the program will start after 5 seconds automatically.

White Rice

Cooking Time: Approximately 45 minutes

1. A cup of rice, after washing, the ratio of water to rice is 1:1
2. Press "KEEP WARM/MENU" 2 times. The White Rice light illuminates.
3. By default, the function will automatically enter the Keep Warm mode once cooking is finished. If you don't need to enter the keep warm mode, unplug the power cord, you can directly lift to eat.
4. When cooking is finished, the rice cooker will beep and automatically switch to keep warm if the

Keep Warm' light is on.

5. For better results, stir the white rice with the rice spoon to distribute any remaining moisture.

Quinoa

Cooking Time: Approximately 60 minutes

1. According to the scale of the small cup, quinoa 1/2, water 120ml.
2. Press "KEEP WARM/MENU" 2 times. The Quinoa light illuminates.
3. By default, the function will automatically enter the Keep Warm mode once cooking is finished. If you don't need to enter the keep warm mode, unplug the power cord, you can directly lift to eat.
4. By default, the function will automatically enter the Keep Warm mode once cooking is finished if you don't need to enter the keep warm mode, unplug the power cord, you can directly lift to eat.
5. For better results, stir the quinoa with the rice spoon to distribute any remaining moisture.

Brown Rice

Cooking Time: Approximately 70 minutes

1. A cup of brown rice, after washing, the ratio of water to rice is 1:1
2. Press "KEEP WARM/MENU" 3 times. The Brown Rice light illuminates.
3. By default, the function will automatically enter the Keep Warm mode once cooking is finished if you don't need to enter the keep warm mode. unplug the power cord, you can directly lift to eat.
4. When cooking is finished, the rice cooker will beep and automatically switch to keep warm if the Keep Warm' light is on.
5. For better results, stir the brown rice with the rice spoon to distribute any remaining moisture.

Oatmeal

Cooking Time: Approximately 60 minutes

1. A cup of oatmeal, the ratio of water to oatmeal is 1 :3
2. Press "KEEP WARM/MENU" 4 times. The oatmeal light illuminates.
3. By default, the function will automatically enter the Keep Warm mode once cooking is finished. If you don't need to enter the keep warm mode, unplug the power cord, you can directly lift to eat.
4. When cooking is finished, the rice cooker will beep and automatically switch to keep warm if the "Keep Warm' light is on.
5. For better results, stir the oatmeal with the rice spoon to distribute any remaining moisture.

Congee

Cooking Time: Approximately 90 minutes

1. According to the scale of the small cup, white rice 1/2, water 3 cups
2. Press "KEEP WARM/MENU" 5 times. The porridge light illuminates.
3. By default, the function will automatically enter the Keep Warm mode once cooking is finished if you don't need to enter the keep warm mode, unplug the power cord, you can directly lift to eat.
4. When cooking is finished, the rice cooker will beep and automatically switch to keep warm if the

Keep Warm' light is on.

5. For better results, stir the congee with the rice spoon to distribute any remaining moisture.

Technical characteristics

Model No.: GRC3GN

Rated voltage: 220V-240V~50-60Hz

Rated power: 300W

Capacity(approx): 0.3L

Product size(H x W x D): 170x206x126mm

TROUBLESHOOTING:

Issues	Cause	Solution
The indicator light is not on	<ul style="list-style-type: none">● Power problem	<ul style="list-style-type: none">● Check the power connection with the device
The heating element is not working	<ul style="list-style-type: none">● Damage on the circuit board or the heating plate● Fuse burns out	<ul style="list-style-type: none">● Please contact with DCH Tool box service center for assistance
The indicator light is on while the heating element is not working	<ul style="list-style-type: none">● Damage on the circuit board or the heating plate	<ul style="list-style-type: none">● Please contact with DCH Tool box service center for assistance
Undercooked	<ul style="list-style-type: none">● Insufficient water or excessive food volume● Wrong proportion for food and water● Wrong position of inner pot● Foreign object between heating plate and inner pot● Deformation of inner pot● Damage on circuit board or sensor	<ul style="list-style-type: none">● Adjust food and water volume. Make sure they are between the maximum and minimum level● Adjust food and water proportion.● Turn the inner pot and relocate it to the right position● Clear out the foreign object● Please contact with after-sale service center and purchase a new pot● Please contact with DCH Tool box service center for assistance
Overcooked	<ul style="list-style-type: none">● Deformation of inner pot	<ul style="list-style-type: none">● Please contact with after-sale service center and purchase a new

	<ul style="list-style-type: none"> ● Wrong position of inner pot ● Damage on circuit board ● Damage on sensor 	<ul style="list-style-type: none"> ● pot ● Turn the inner pot and relocate it to the right position ● Please contact with DCH Tool box service center for assistance ● Please contact with DCH Tool box service center for assistance
"White Rice + Keep Warm/Menu" light Flashing	<ul style="list-style-type: none"> ● Bottom sensor over temperature 	<ul style="list-style-type: none"> ● Please contact with DCH Tool box service center for assistance
"Brown Rice + Keep Warm/Menu" light Flashing	<ul style="list-style-type: none"> ● Bottom sensor failure(open circuit) 	<ul style="list-style-type: none"> ● Please contact with DCH Tool box service center for assistance
"Oatmeal + Keep Warm/Menu" light Flashing	<ul style="list-style-type: none"> ● Bottom sensor failure(short circuit) 	<ul style="list-style-type: none"> ● Please contact with DCH Tool box service center for assistance

安全預防措施

當使用本產品時，請遵循以下基本的安全指引：

使用本產品前，請先閱讀本說明書：

1. 本產品只供家居使用，不可戶外使用。
2. 從插座拔下插頭前，先把本產品轉為“關閉”模式。請勿拉扯電源線方式拔下插頭，必須用手抓緊插頭，之後才從插座除下，不可直接強行從插座拉下插頭。
3. 請勿讓電源線接觸高溫表面。拆卸和清理前，必須讓產品完全冷卻。
4. 不適用本產品時，務必從電源插座拔出插頭。
5. 請勿用損壞的電源線或者在產品有任何損壞的情況下使用本產品。為了避免觸電，請勿拆卸和重新組裝。如有任何損壞，請先與客戶服務部聯絡，並親自攜帶本產品到本公司維修部處理。擅自修理/改裝或產品於非產品原本設計用途，本公司恕不提供保養。
6. 不可讓兒童單獨使用本產品。
7. 使用中或剛使用後，觸摸高溫金屬零件或者高溫部分可能會被燒傷。
8. 切勿在產品工作時接觸到本產品的內部。
9. 本產品不能連接其他定時器或者遙控器。
10. 電源線不可以懸掛在桌子邊緣或者接觸高溫表面，以防破壞電源線。
11. 本產品不可以放置高溫的物體旁邊使用。
12. 使用時，應將產品放置於平穩及兒童不易觸及的地方，以防兒童拉扯電源線或者觸碰產品而導致產品翻倒導致燙傷或者損壞產品。
13. 內鍋洗淨後，請用乾抹布放入電飯煲內。
14. 內鍋的底部應避免碰撞，以防變形，且不可以用其他容器代替內鍋，內鍋與發熱盤之間應保持清潔乾淨，以免損壞。
15. 內鍋可以用清水清洗，請勿用水直接沖洗電飯煲或者將本產品浸入水中/其他液體中，以免發生火災，漏電或危害人生安全。
16. 當產品運作時，請勿移動本產品。
17. 煮食時，請勿用布或者任何異物遮擋煲蓋排氣口，否則容易發生故障。
18. 煮食時，請勿觸碰提手以外的部分，切勿接近蒸汽孔以防燙傷。
19. 請用塑料或者木質飯勺。請勿使用金屬飯勺，以免損壞內鍋表面塗層。
20. 烹煮過程中，開關按鍵自動跳起後，請勿強行按下按鍵，以免損壞電飯煲。
21. 本產品不適用於身體殘障，感官或者精神能力不足，或缺乏經驗和知識的人（包括兒童），除非他們已經接受監督或者指導。
22. 第一次使用本產品時，可能會產生輕微的異味或者白煙，只要把本產品放在通風處，異味及白煙將會消散。

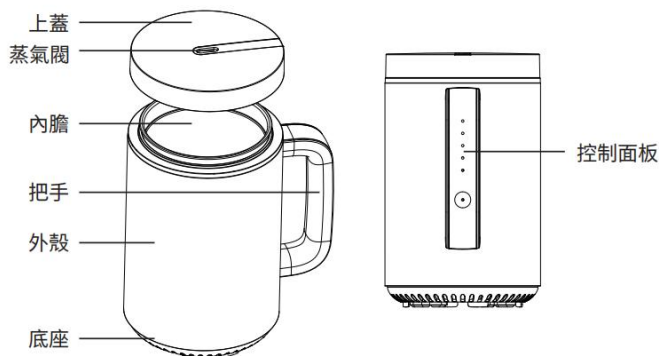
特別聲明：

1. 為了避免電路負荷過重，請勿在同一電路上操作另一件電器。
2. 如果延長線有必要使用，應使用 13 安培的電線，額定電流比此產品較小的電線可能會引起過熱及短路。
3. 請保留此說明書以備將來作參考。
4. 請勿讓兒童或未經培訓的人員在不經監督的情況下使用本產品。
5. 請勿將本產品，電源線或者插頭浸入任何液體中。否則可能會導致觸電或者火災。
6. 當產品無需使用時，請斷開插頭與電源的鏈接。
7. 請勿在產品運作時用濕手觸碰。

8. 請勿將產品暴露在戶外（雨或者陽光底下）。
9. 當插頭插入插座並開啟後，請確保有合格資格的人員監督下方可使用本產品。
10. 在使用本產品前，請移除所有的包裝物料。
11. 拆除包裝後，檢查是否有損壞。
12. 所有包裝物料，如塑料袋，發泡膠，膠帶等。都應該放在兒童接觸不到的地方，因為此物料不正當使用會引起兒童窒息，甚至死亡。
13. 只能使用本產品提供在產品及包裝內的配件，否則可能對用戶構成危險，並有可能損壞產品。
14. 在使用本產品前，請檢查產品銘牌上標明的電源，電壓是否符合。銘牌貼在產品背面，如有任何疑問，請向公司客戶服務部查詢以及尋求協助。
15. 請勿讓電源線接觸鋒利的邊緣或者高溫表面。
16. 本產品不是玩具，不可用在人及動物身上，否則會被燙傷。
17. 本產品不可用在不穩定的地點或者燃燒的物體上使用，否則容易引起火災或被燒傷。
18. 零件及配件不包括在保養範圍內，如客人需要更換零件及配件，必須另行本公司購買。零件不一定有存貨，有可能需等待若干時間才能更換。
19. 本產品只限於家居使用，不可作任何商業用途。
20. 如須產品維修，客人必須自行清潔乾淨及殺死所有的昆蟲。否則本公司須收取額外之清潔及滅蟲費用。
21. 第一次使用本次產品時，由於該絕緣材料可能有氣味或有煙，此乃正常現象並會於短時間消退。
22. 請勿將本機插座前放於易燃物品及煮食爐附件，不要在地毯及塑膠等不耐煩的物體表面（或其部分）使用本產品，本產品四周應與易燃物品保持至少 1.5 米距離，於本產品上方不要放置容易受蒸汽影響的物品。
23. 請勿用濕手觸碰及拔電源線，否則可能導致短路或者觸電危險。
24. 產品使用時會產生大量蒸汽從上蒸汽閥噴出，不要靠近或者觸碰氣閥，不要覆蓋蒸汽閥。
25. 使用時，請勿讓本機離開您的視線範圍之外，避免發生意外。
26. 請勿使用鋒利或者俱有磨蝕性用具放進內鍋翻轉米飯及食物，此做法會損傷內鍋的不粘塗層。
27. 請勿與其他電器共用一個插座，把插頭直接插入插座及請避免使用分插座，以防因為過熱而引起火災。
28. 將插頭拔出時必須手握插頭，禁止用拉電源線的方式拔插頭。
29. 使用前，請抹乾煮食鍋的外面部分，以確保更加有效的使用本產品。
30. 應依說明書指示烹飪，不應放入超過內鍋建議容量的食物，以防食物溢出。
31. 本產品需配合原廠的內鍋使用，不可與其他煮食器皿共用。不應該直接把內鍋放在煮食爐具上加熱。
32. 本產品並不傾向提供給體弱、反應遲鈍、有精神障礙的人士，或者缺乏相關經驗和嘗試（包括兒童）使用，除非有具備專業資格人士/成年人指導陪同下使用。
33. 為了防止漏電和其他事故，不使用本產品及清潔前必須關掉本產品。
34. 請定期檢查產品的電源線，若電源線損壞，必須由本公司售後服務部或者合資格的電器技工更換，避免發生危險。
35. 請勿使用非本產品附送的配件，以免發生危險以及造成傷害。
36. 產品上貼有“警告”標籤，使用本產品前請閱讀有關事項。
37. 控制台為輕觸式設計，若錯誤啟動會造成高溫操作，請立刻拔出插頭。
38. 不可把任何物品/食物放在煲內作存放用途。

39. 此產品不是玩具，請勿讓家中兒童玩弄。
40. 不可弄濕鍋內發熱盤。
41. 若無注水下誤開導致乾燒，如有內膽，當頂部溫超過 105°C 或者底部溫度超過 165°C 時會出現高溫保護，“電飯煲不加熱”自動跳保溫。

產品各部分描述



配件:



飯勺



量杯

清洗指導

使用前:

1. 閱讀所有說明和重要保障措施。
2. 拆除所有包裝材料並檢查收到的所有物品是否完好。
3. 撕掉包裝袋，因為他們可能會對兒童造成影響。
4. 用溫肥皂水清洗蒸汽口和所有其他配件，徹底沖洗並保持乾燥。
5. 從電飯鍋中取出內鍋，用溫肥皂水清洗。放回炊具之前徹底沖洗並保持乾燥。
6. 用濕布擦拭機身。

烹飪後：

1. 定期清理電飯鍋內的食物殘渣和污垢。
2. 請勿使用帶有金屬絲和溶劑的刷子清潔電飯鍋臟的部件。
3. 如果食物殘渣殘留在鍋的內部，請先浸泡後再清洗。
4. 請勿將身體浸入水中。要清潔外部，請使用濕潤的軟海綿或布。

電飯煲內鍋使用注意事項：

1. 攪拌時，只能使用專用塑料勺。
2. 請勿將醋倒入鍋中，它會損壞表面光潔度。
3. 使用一段時間後，鍋可能會因接觸水和洗滌劑顏色而變色，這是正常現象，可以安全地操作電飯煲。

控制面板



“保溫/選項”

總共有 4 個功能鍵

煮好後自動轉為“KEEP WARM”。

當想要停止正在進行的程序時，按“KEEP WARM”2 秒取消。

“白米/藜麥”

煮米飯和藜麥程序。

按“KEEP WARM/MENU”選擇“糙米”，程序 5 秒後自動啟動。

在此模式下烹飪時，建議保持蓋子關閉。鍋蓋位置錯誤，可能會影響煮飯效果。

煮完飯後，小飯煲發出“啞”的一聲，開始保溫。

“糙米”

煮糙米程序。

按“KEEP WARM/MENU”選擇“糙米”，程序 5 秒後自動啟動。

在此模式下烹飪時，建議保持蓋子關閉。鍋蓋位置錯誤，可能會影響煮飯效果。

煮完飯後，小飯煲發出“啞”的一聲，開始保溫。

“燕麥片”

燕麥片程序。

按“KEEP WARM/MENU”選擇“燕麥片”，程序 5 秒後自動啟動。

在此模式下烹飪時，建議保持蓋子關閉。鍋蓋位置錯誤，可能會影響煮飯效果。

煮完飯後，小飯煲發出“啞”的一聲，開始保溫。

“粥/湯”

粥和湯的程序。

按“KEEP WARM/MENU”選擇“粥/湯”，程序 5 秒後自動啟動。

在此模式下烹飪時，建議保持蓋子關閉。鍋蓋位置錯誤，可能會影響煮飯效果。

煮完飯後，小飯煲發出“啞”的一聲，開始保溫。

使用說明

1. 取下上蓋，打開炊具。
2. 開始烹飪前，請確保設備內部和外部不受包裝影響，無污染。還要確保內鍋與加熱板表面之間沒有任何物體。
3. 將所需材料放入內鍋中，然後將內鍋放入炊具中。
4. 確保內鍋正確安裝在加熱元件上。如果內鍋未位於加熱板表面的所需位置，請轉動多功能炊具中的內鍋。
5. 遠離牆壁，不要將炊具靠近牆壁放置。

6. 選擇菜單， 等待 5 秒後程序會自動開始。

白米

烹飪時間：約 45 分鐘

1. 米一杯，洗淨後，水與米的比例為 1:1
2. 按“KEEP WARM/MENU” 2 次。白米燈亮起。
3. 默認情況下，烹飪完成後該功能將自動進入保溫模式。如果不需要進入保模式，拔掉電源線，就可以直接拿起食用。
4. 煮飯完成後，如果保溫”燈亮起，電飯鍋會發出蜂鳴聲並自動切換到保溫狀態。
5. 為了獲得更好的效果，請用飯勺攪拌白米，以分散剩餘的水分。

藜麥

烹飪時間：約 60 分鐘

1. 按照量杯的刻度，藜麥 1/2，水 120 毫升
2. 按“KEEP WARM/MENU” 3 次，藜麥燈亮起。
3. 默認情況下，烹飪完成後該功能將自動進入保溫模式。如果不需要進入保模式，拔掉電源線，就可以直接拿起食用。
4. 煮飯完成後，如果保溫”燈亮起，電飯鍋會發出蜂鳴聲並自動切換到保溫狀態。
5. 為了獲得更好的效果，請用飯勺攪拌藜麥，以分散剩餘的水分。

糙米

烹飪時間：約 70 分鐘

1. 糙米一杯，洗淨後，水與米的比例為 1:1
2. 按“KEEP WARM/MENU” 3 次，糙米等亮起。
3. 默認情況下，烹飪完成後該功能將自動進入保溫模式。如果不需要進入保模式，拔掉電源線，就可以直接拿起食用。
4. 煮飯完成後，如果保溫”燈亮起，電飯鍋會發出蜂鳴聲並自動切換到保溫狀態。
5. 為了獲得更好的效果，請用飯勺攪拌糙米，以分散剩餘的水分。

燕麥

烹飪時間：約 90 分鐘

1. 按照量杯的刻度，白米 1/2，水 3 杯。
2. 按“KEEP WARM/MENU” 4 次，燕麥燈亮起。
3. 默認情況下，烹飪完成後該功能將自動進入保溫模式。如果不需要進入保模式，拔掉電源線，就可以直接拿起食用。
4. 煮飯完成後，如果保溫”燈亮起，電飯鍋會發出蜂鳴聲並自動切換到保溫狀態。
5. 為了獲得更好的效果，請用飯勺攪拌糙米，以分散剩餘的水分。

產品規格：

型號：GRC3GN

額定電壓：220V~240V~50~60Hz

額定功率：300 瓦

容量（約）：0.3 公升

產品尺寸（高 x 闊 x 深）：170x206x126 毫米

問題	原因	解決方式
指示燈不亮	<ul style="list-style-type: none"> ● 電源問題 	<ul style="list-style-type: none"> ● 檢查設備的電源連接
加熱元件不工作	<ul style="list-style-type: none"> ● 電路板或加熱板損壞 ● 保險絲燒斷 	<ul style="list-style-type: none"> ● 請聯繫大昌行電器維修中心尋求幫助
當加熱元件不工作時，指示燈亮起	<ul style="list-style-type: none"> ● 電路板或加熱板損壞 	<ul style="list-style-type: none"> ● 請聯繫大昌行電器維修中心尋求幫助
未煮熟	<ul style="list-style-type: none"> ● 水不足、食物過多或體積過多 ● 食物和水的比例錯誤 ● 內鍋位置錯誤 ● 發熱盤和內鍋之間有異物 ● 內鍋變形 ● 電路板或傳感器損壞 	<ul style="list-style-type: none"> ● 調整食物和水的量，確保它們在最大和最小水平之間 ● 調整食物和水之間的比例 ● 轉動內鍋並將其移動至正確的位置 ● 清除異物 ● 請聯繫大昌行電器維修中心尋求幫助 ● 請聯繫大昌行電器維修中心尋求幫助
煮太熟	<ul style="list-style-type: none"> ● 內鍋變形 ● 內鍋位置錯誤 ● 電路板損壞 ● 傳感器損壞 	<ul style="list-style-type: none"> ● 請聯繫售後服務中心購買新鍋 ● 轉動內鍋並將其移動至正確的位置 ● 請聯繫大昌行電器維修中心尋求幫助 ● 請聯繫大昌行電器維修中心尋求幫助
閃亮“白米+選擇/保溫”燈 閃亮“糙米+選擇/保溫”燈 閃亮“燕麥+選擇/保溫”燈	<ul style="list-style-type: none"> ● 鍋底傳感器超溫 ● 鍋底傳感器故障（開路） ● 鍋底傳感器故障（短路） 	<ul style="list-style-type: none"> ● 請聯繫大昌行電器維修中心尋求幫助 ● 請聯繫大昌行電器維修中心尋求幫助 ● 請聯繫大昌行電器維修中心尋求幫助

請記錄下列產品資料

型號 Model No.:

機身編號 Serial No.:

經銷商名稱 Dealer:

購買日期 Date of Purchase:

單據編號 Invoice No.:

本產品不斷改進中，如功能有所更改，恕不另行通知
如有疑問，請與客戶服務中心聯絡。不便之處，敬請原諒。

The product specifications may be changed without prior notice.
Please contact customer service for details if necessary.

說明書內容以英文版本為準

If there is any inconsistency or ambiguity
between the English version and the Chinese version,
the English version shall prevail.

保養登記
Warranty Registration



於網上登記新產品保養
Register your product online
www.dchtoolbox.com

小電維修服務 - 自攜點
Repair Service - Collection Points



客戶服務中心 DCH ToolBox Customer Service Centre
香港九龍灣啓祥道20號大昌行集團大廈4樓
4/F, DCH Building, 20 Kai Cheung Road, Kowloon Bay, Hong Kong

客戶服務熱線 Customer Service Hotline: (852) 8210 8210
電郵地址 E-mail: 8210service@gilman-group.com
網址 Website: www.gilman-group.com