

gemini
ITALY

**MINI MIST FAN WITH
HEATING FUNCTION**
迷你放濕機 (加熱功能)

**MODEL NO 型號: GMFH15W
1500W**



A GILMAN GROUP BRAND

Please read and retain for future reference.

SAFETY INSTRUCTION - GENERAL

- Use this appliance solely in accordance with these instructions.
- This appliance is for household use only, not for commercial purpose.
- Remove all packaging material from the appliance before use.
- This appliance shall not be used by children of 0 to 8-year old.
- This appliance can be used by children older than 8-year old and persons with reduced physical, sensory or mental capabilities or lack of experience and knowledge, but only if they have been given supervision or instruction concerning use of the appliance in safe way and understand the hazards involved.
- Children should be supervised to ensure that they do not play with the appliance.
- Cleaning and maintenance must not be done by children.
- Have any repairs carried out solely by a qualified electrician. Never try to repair the appliance yourself.
- Do not handle the plug or appliance with wet hands.
- Do not immerse the main body in water.
- Children shall not play with the appliance.
- Do not leave the appliance unattended when connected to the mains supply.
- Keep hair, loose clothing, fingers and all parts of the body away from openings of the appliance.
- Only use the attachments/accessories supplied with the product.

SAFETY INSTRUCTION - ELECTRICITY AND HEAT

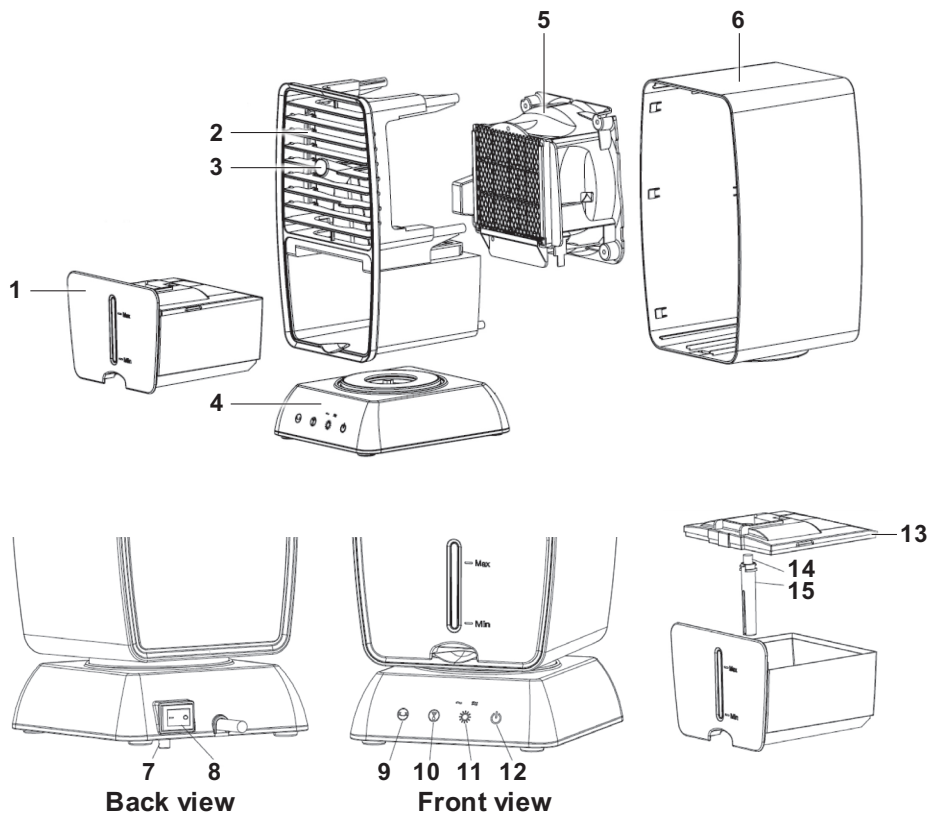
- Verify that the mains voltage is the same as that indicated on the rating plate on the appliance before use.
- Make sure that you always use a grounded wall socket to connect the appliance.
- Always remove the plug from the wall socket when the appliance is not in use.
- Remove the plug from the wall socket by pulling the plug, not the power cord.
- Make sure that the appliance, the power cord and plug do not make contact with water.
- Make sure that the appliance, the power cord and plug do not make contact with hot surface, such as a hot hob or naked flame.
- Check the appliance's power cord regularly to make sure it is not damaged.
- Do not use the appliance if the power cord is damaged. If the power cord is damaged, it must be replaced by an electrical technician or a person with similar qualification, in order to avoid any hazards.
- The appliance needs space to allow heat to escape, thereby preventing the risk of fire. Make sure that the appliance has sufficient space around it, and does not come in contact with flammable material. The appliance, the air vents must not be covered or blocked when use.

- Never use the appliance in the vicinity of flammable material.
- Certain part of the appliance may get hot, such as air outlet. Do not touch these part to prevent scalding yourself.

SAFETY INSTRUCTION - DURING OPERATION

- Do not use the appliance in areas such as garages where petrol, paint or other flammable substances are used or stored.
- Do not place the appliance to furniture, animals, curtains or other inflammable objects.
- Do not place the appliance on bedding or on thick and long pile carpet where the openings may be blocked.
- The appliance should not be used in the immediate vicinity of water, such as bathtub, washbowls, bathroom swimming pool etc. where the likelihood of immersion or splashing could occur.
- A common cause of overheating is deposits of dust and fluff entering the appliance. Ensure these deposits are removed regularly by unplugging the appliance.
- Be sure that no other high current appliances are plugged into the same circuit with your heater as an overload can occur.
- Don't close the inlet and outlet of the appliance to the wall, curtain and other entities, so as not to block the air flow, affect the air supply effect or other dangers.
- When adding water, the water level shall not exceed the highest (max) indicating scale-around 420ml, nor lower than the lowest (min) indicating scale-around 75ml;
- Don't place the appliance in tilted or other unbalanced places, so as not to cause water tank overflow, the appliance rollover, resulting in product damage or other safety accidents; if the appliance is accidentally dumped, stop using the product immediately, pull out the power plug, check whether there is water inside the product, dry the product fully and ensure safety before using it, and send it to the maintenance department for repair if necessary.
- Don't pull the appliance shaking head mechanism, so as not to damage the internal structure.
- The appliance has mist function, recommend to use pure water, and clean the water tank before usage. To avoid breeding bacterial, scale and foreign matter, etc; After use, the excess water in the water tank is discharged clean, if not used for a long time, the water tank should be cleaned.
- It is prohibited to use essential oils on the appliance.
- If this appliance is used in an air-conditioned room, it is normal occurrence for water droplets to flow back or stay at the spray nozzle.

PRODUCT OVERVIEW

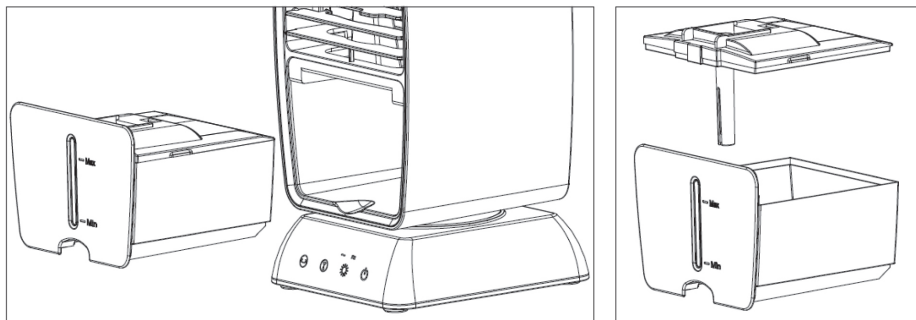





- 1. Water Tank
- 2. Air outlet
- 3. Mist Vent
- 4. Base
- 7. Tip-over switch
- 8. Main power On/Off button

- 5. Heating element
- 6. Housing
- 9. OSC button
- 10. Mist button
- 11. Heating mode button
- 12. Power button
- 13. Water tank cover
- 14. Absorbent cotton
- 15. Absorbent cotton sleeve

OPERATING INSTRUCTION

1. Carefully remove the appliance from the plastic bag and the carton.
2. Place the appliance on a flat surface floor.
3. Pull out the water tank, pick up the tank cover, add water to the water tank to max. line-around 420ml. (Suggest to use pure water)




4. When adding water, the water level shall not exceed the highest (max) indicating scale-around 420ml, nor lower than the lowest (min) indicating scale-around 75ml;
5. After adding water, don't tilt, lie on the side or invert the water tank to prevent water from infiltrating the circuit board.
6. Don't dip the tank lid into the water because it has a circuit board inside.
7. Close the water cover and water tank, gently push the water tank in to the appliance, and push in position properly.
8. Inset the product power cord plug into the power socket, press the main On/Off button to "I" (ON) position, hear the sound of "di", indicating that the appliance has been connected to the power, the power indicator is red, into the standby state, according to the need to select the function.
9. Power button  : press this button in standby state, the power indicator turns green, the appliance starts to work, default fan & mist mode, press this button again, the appliance shutdown into standby state; press this button under heating mode, the appliance will turn off about after 30 seconds delay.
10. Heating mode button  : Press this button when the appliance is on, the Low-heat indicator lights up, the appliance is in low heat mode, press the heating button again, the High-heat indicator lights up, the appliance is in high-heat mode, press the heating button in third, the product turns to fan mode. Fan => Low-heat mode => High-heat mode, cycle work.
11. Mist button  : press this button when the appliance is on, the mist indicator will light up and the mist function will start. Press this button again, the mist indicator is off and the mist function is closed.

Note:

It is recommended to clean the water tank every 72 hours during use. This appliance has a 72-hour cleaning reminder function: (both on and standby time), after 72 hours accumulated, the appliance enters the cleaning reminder state: the mist indicator and the power indicator flash at the same time, and the buzzer sounds once every 10 seconds. Press the power button of the control panel, the appliance exits the cleaning reminder state and cleans the water tank. Clean the water tank

and install in the appliance, turn it on again or in the standby state, after accumulating to 72 hours, the 72-hour cleaning reminder function will be automatically activated. Remark when the main power or tip-over switch were disconnected , the 72 hours will be recovered.

This appliance uses intelligent timing or water tank without water reminder to add water; every time you start spraying, the countdown starts, and continuous spraying for 6 hours or water tank without water will automatically remind you to add water. When entering the reminder, the buzzer will sound “beep beep beep” , then the mist indicator flashes and the mist function is turned off; before adding water, please push power button of the control panel to turn off the appliance. After adding water to reset, you need to press mist button again to enter the mist function.

12. OSC button  : press this button when the appliance is on, the OSC indicator will light up and OSC function will start. Press this button again, the OSC function is closed.

TIP-OVER AUTO-OFF SAFETY SYSTEM

When appliance inclines from vertical or tip-over, it will stop working. When appliance is returned to upright position, it can connect the power again and returns to standby mode, set the desire setting to start operating again. Do not use on thick and long pile carpet, as the appliance may not work due to the tip-over switch not been activated.

CLEAN & STORAGE

- Your appliance must be switched OFF and disconnect to the main power supply and unplugged before proceeding with any cleaning work.
- Clean the housing with a lightly damp cloth of the appliance.
- Never use flammable or abrasive cleaning agents such as benzene or spirit to clean the appliance.
- Never immerse the appliance in water!
- Clean the air outlet regularly.
- If the appliance is not used for an extended period it must be protected against excessive dust and dirt. Please pack the appliance and store in a dry place away from sunlight and dirt.
- Clean the Absorbent cotton (Page 4. Item 14): Suggest replace every 3 to 6 months. Open the water tank cover, take out the absorbent cotton sleeve & absorbent cotton if scale and dirties on the surface of the absorbent cotton, it can be washed with water or washed with citric acid.

TROUBLESHOOTING

PROBLEM	CAUSE	SOLUTION
Don't work	<ul style="list-style-type: none"> The power cord plug is not inserted or poor contact. The power switch behind the fuselage is not opened. The table is not smooth, the Tip-over switch is disconnected. The power button on the control panel is not pressed. 	<ul style="list-style-type: none"> Plug in the power cord and make it in good contact. Press the Main power On/ Off Button behind the fuselage to the "I" (on) position. Put the product in a flat position. After switching on the power, press the power button to start working.
Don't mist	<ul style="list-style-type: none"> There is not water in the water tank. The water tank is not install in position of the appliance properly. 	<ul style="list-style-type: none"> Pull out the water tank, open the water tank cover, add water. Install the water tank and push in position properly.
Don't heat	<ul style="list-style-type: none"> The air outlet is blocked. Thermostat trips. 	<ul style="list-style-type: none"> Check the air outlet to make sure it is not blocked. Other abnormalities (such as blocking) cause the thermostat to overheat and trip, and the heating will be automatically turned on after the temperature drops.

PRODUCT SPECIFICATIONS

Model no.: GMFH15W

Voltage: 220-240V~

Frequency: 50Hz

Output power: 1500W

Product dimensions: 269(H) x 150(W) x 133(D) mm

***The final product specification may be varied according to a different lot of material and actual input voltage power of the usage area.**

閱讀下列說明事項並請妥善保管，以供日後參考。

安全指引 - 一般安全

- 請按照這些說明事項, 使用本產品。
- 本產品僅供家用，不作商業用途。
- 使用前，請將所有包裝材料拆除。
- 0至8歲的兒童不應使用本產品。
- 超過8歲的兒童可使用本產品，但請勿由肢體不健全、感覺或精神上有障礙或缺乏相關經驗和知識的人使用，除非有負責他們安全的人對他們使用本產品進行監督或指導。
- 請務必看顧好兒童，以確保他們不玩耍本產品。
- 兒童不應清潔或維修本產品。
- 當需進行任何維修，必須由專業維修人員進行維修。永遠不要嘗試自己修理本產品。
- 手濕時不可以接觸電源插頭或本機。
- 主機不可以浸入水中。
- 兒童不可以把玩本機。
- 本機開著後不可以無人監管。
- 當本機開著時，頭髮、鬆身衣物、手指和身體其他部份都要離開本機。
- 只使用隨機附送的配件。

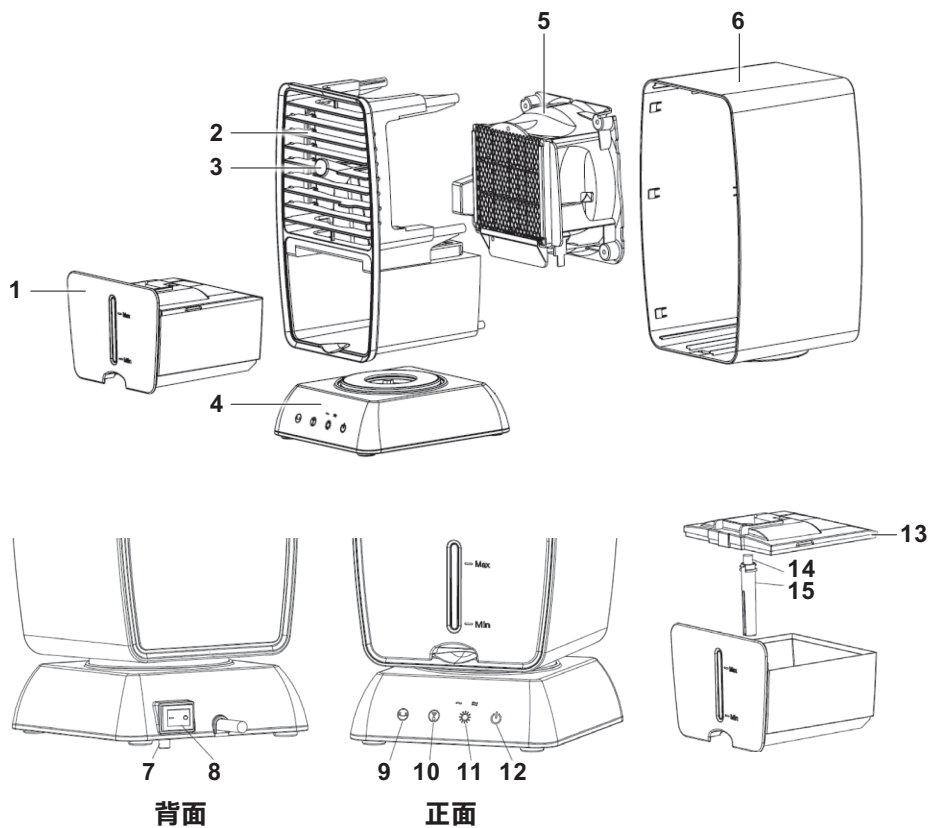
安全指引 - 電子和熱能產品

- 使用相符的電源和電壓，以防止觸電。
- 本產品只能使用帶接地線的電源插座。
- 當本產品不使用時，請從牆上的插座中拔掉插頭。
- 從牆上插座中拔掉插頭時，應拿著插頭而不是電源線。
- 確保本產品、電源線和插頭不與水接觸。
- 確保本產品、電源線和插頭不接觸發熱表面，如明火。
- 定期檢查本產品的電源線以確保其沒有損壞。如果電源線損壞，請勿使用其產品，並須由專業維修人員來更換，以避免出現任何危險。
- 確保本產品的周圍有足夠空間，並且不接觸易燃物料。使用時，通風口不得覆蓋或堵塞。
- 切勿在易燃材料附近使用本產品。
- 本產品的某部分可能會發熱。如出風口，不要觸摸這些部分，以防止燙傷自己。

安全指引 - 操作期間

- 不要在有使用和儲藏汽油、燃料和其他可燃物質的車庫之類的地方使用本產品。
- 不要在傢俱、動物、窗簾或其他可燃物體周圍使用本產品。
- 不要把本產品放在寢具或者厚厚的毛毯上，因為有可能堵塞進出風口。
- 不要在直接接近水的地方使用產品，比如浴缸、洗臉盆、浴室的游泳池等，這些地方可能發生漏電。
- 在本產品堆積灰塵或者毛絨可能引起過熱，通過拔掉電源插頭，讓它冷卻和仔細清洗，確保這些堆積物已被清除。
- 確保沒有其他高電流的電器同時插入和暖風機相同的電路，從而產生超負載的情況。
- 不要將電器的出風口靠近牆壁、窗簾等實體，以免阻塞氣流，影響送風效果或其他危險。
- 加水時，水位不得超過最高（max）指示刻度-約420毫升，也不得低於最低（min）指示刻度-約75毫升。
- 請勿將本產品放置在傾斜或其他不平衡的地方，以免引起水箱溢水、產品側翻，造成產品損壞或其他安全事故；如不慎傾倒本產品，應立即停止使用，並拔掉電源插頭，檢查產品內部是否進水，並確保完全風乾產品後再使用，必要時往維修部門檢修。
- 請勿用力扳動產品的搖擺機構，以免損壞內部結構。
- 本產品有噴霧功能，建議使用純淨水，使用前請清洗水箱。避免滋生細菌、水垢和異物等；使用後，將水箱內多餘的水排乾淨，如長期不使用，應清洗水箱。
- 本產品禁止使用精油。
- 如果本產品用於空調房，偶有水珠回流或水珠停留在噴霧口附近，屬於正常現象。

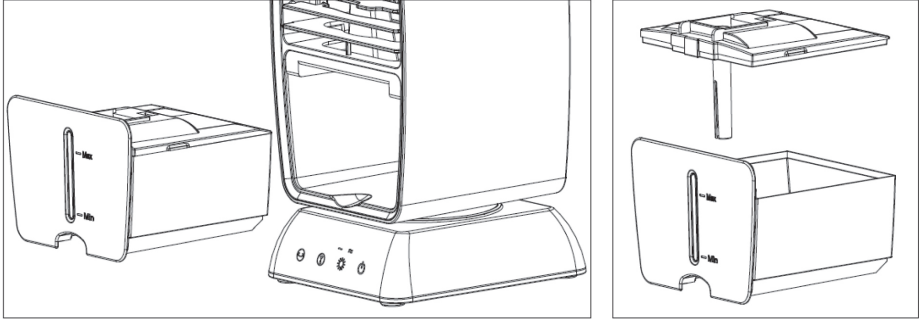
暖風機部份介紹



- | | |
|------------|-----------|
| 1. 水箱 | 9. 自動搖擺鍵 |
| 2. 出風口 | 10. 噴霧鍵 |
| 3. 噴霧口 | 11. 加熱鍵 |
| 4. 底座 | 12. 電源鍵 |
| 5. 發熱組件 | 13. 水箱蓋 |
| 6. 外殼 | 14. 吸水棉 |
| 7. 翻倒自動關閉鍵 | 15. 吸水棉套管 |
| 8. 主電源開關鍵 | |

使用說明

1. 從包裝盒內小心地取出產品，並移除包裝物料。
2. 放置產品放在平坦的表面上。
3. 拉出水箱，打開水箱蓋，將水箱加水至最高水位線(MAX)。
(建議使用純淨水)




4. 加水時，水位不得超過最高（max）指示刻度-約420毫升，也不得低於最低（min）指示刻度-約75毫升；
5. 加水後不要斜放、側躺或倒置水箱，防止水滲入電路板。
6. 不要將水箱蓋浸入水中，因其內有電路板。
7. 裝回水相箱蓋和水箱，將水箱輕輕推進產品內，並推到底確保安裝到位。
8. 將產品電源線插頭插入電源插座，將主電源鍵推到“I”（ON）位置，聽到“嘀”聲，表示產品已接通電源，電源指示燈為紅色，進入待機狀態，根據需要選擇功能。
9. 電源鍵⏻：待機狀態下按此鍵，電源指示燈變綠，產品開始工作，默認風扇及噴霧模式，再次按此鍵，產品關機進入待機狀態。在加熱模式下按此鍵，產品延遲約30 秒後關機。
10. 加熱鍵☀：開機狀態下按此鍵，低熱度發熱模式指示燈亮起，產品為低熱度發熱模式，再按加熱鍵，高熱度發熱模式指示燈亮起，產品為高熱度發熱模式；按加熱鍵第3次，產品切換到風扇模式。風扇模式 => 低熱度發熱模式 => 高熱度發熱模式，循環工作。
11. 噴霧鍵☁：開機狀態下按此鍵，噴霧指示燈亮起並啟動噴霧功能。再1次此鍵，噴霧指示燈熄滅，噴霧功能關閉。

注意：

建議使用期間，水箱隔72小時清洗一次。本產品有72小時清洗提醒功能：（開機和待機均計時），累計到72小時後，本產品進入清洗提醒狀態：噴霧燈和電源燈同時閃爍，蜂鳴器每10秒響1次。按下控制面板上的電源鍵，產

品退出清洗提醒狀態並清洗水箱。裝回水箱，再次開機或待機狀態下，重新累計到72小時後，自動啟動72小時清洗提醒功能。(註：如果斷開電源總開關或翻倒自動開關鍵，72小時會重新累計)

本產品使用智能定時或水箱沒有水時提醒加水；每次開始噴霧，倒計時開始計時，連續噴霧6小時或水箱沒有水時會自動提醒加水，進入提醒時，蜂鳴器發出“嗶嗶嗶”聲，然後噴霧燈閃爍顯示並關閉噴霧功能；加水之前，請先按控制面板上的電源鍵關閉本產品。然後在水箱中加水。加水復位後，需再按此鍵進入噴霧功能。

12. 自動搖擺鍵 ：開機狀態下按此鍵，搖擺功能指示燈亮起並開啟自動搖擺功能。再按下此鍵，以關閉自動搖擺功能。

翻倒自動停止操作

該暖風機底部配有一個開關保護，當暖風機在傾斜或翻倒時，電源會被自動切斷運作。當將電暖爐擺正直立之後，會自動回復通電及進入待機模式後，重新設置所需功能，暖風機便可重新運作。不要在又厚又粗的地毯上使用，暖風機可能不能正常工作，因為這開關保護沒有被啟動。

清潔與儲存

- 在清洗工作之前你的產品必須關上主電源開關OFF，拔掉電源插頭。
- 用一塊濕的布、擦拭產品外殼。
- 不要使用可燃的或者腐蝕性的清潔液，像苯或酒精清潔產品。
- 不要把產品浸入水中！
- 定時清潔空氣排出口。
- 如果產品長時間不使用，必須把產品包好，防止灰塵或污垢積聚。請把產品儲藏在沒有陽光和灰塵的乾燥的地方。
- 清潔吸水棉 (參考第10頁，項目14)：建議每3至6個月更換一次。打開水箱蓋，向下取出吸水棉套管及吸水綿。如果吸水棉表面有水垢和髒物，可用清水或檸檬酸清洗。

疑難排解

故障現象	可能原因	解決辦法
不工作	<ul style="list-style-type: none">- 電源線插頭沒插上或接觸不良- 沒有打開機身後面的主電源開關鍵- 工作台不平穩，啟動倒自動關閉鍵- 沒有按下控制面板上的電源鍵	<ul style="list-style-type: none">- 插上電源線插頭並使其接觸良好- 將機身後的主電源開關按推到“1”(on)位置- 將產品放在平整的位置上- 接通電源後，按電源鍵開始工作
不噴霧	<ul style="list-style-type: none">- 水箱裡沒有水- 水箱沒有安裝到位	<ul style="list-style-type: none">- 拉出水箱，打開水箱蓋，加水- 安裝水箱並正確推入到底。
不加熱	<ul style="list-style-type: none">- 出風口被阻擋- 控制器跳斷	<ul style="list-style-type: none">- 檢查出風口，確保不被阻擋- 其他異常(如阻擋)導致溫控器過熱跳開，待溫度下降後會自動接通加熱

技術參數

型號：GMFH15W

電壓：220-240V~

頻率：50Hz

輸出：1500瓦

產品尺寸：269(高) x 150(闊)x 133(深) 毫米

*相關產品的規格，可能會因配件批次或實際使用地區的電壓差異而有所不同。

請記錄下列產品資料

型號 Model No.:

機身編號 Serial No.:

經銷商名稱 Dealer:

購買日期 Date of Purchase:

單據編號 Invoice No.:

本產品不斷改進中，如功能有所更改，恕不另行通知
如有疑問，請與客戶服務中心聯絡。不便之處，敬請原諒。
The product specifications may be changed without prior notice.
Please contact customer service for details if necessary.

說明書內容以英文版本為準
If there is any inconsistency or ambiguity
between the English version and the Chinese version,
the English version shall prevail.



保養登記 Warranty Registration

於網上登記新產品保養 Register your product online
www.dchtoolbox.com



客戶服務中心 DCH ToolBox Customer Service Centre
香港九龍灣啟祥道20號大昌行集團大廈4樓
4/F, DCH Building, 20 Kai Cheung Road, Kowloon Bay, Hong Kong

客戶服務熱線 Customer Service Hotline: (852) 8210 8210
電郵地址 E-mail: 8210service@gilman-group.com
網址 Website: www.gilman-group.com