

gemini
ITALY

18升2合1雙層玻璃氣炸焗爐
18L 2-IN-1 DOUBLE GLASS AIR FRYER OVEN
Model NO. 型號: GAO18BK
1400W

Before using your product for first time, please read this instruction manual.
在使用本產品前，請仔細閱讀本說明書並保存好。

SAFETY PRECAUTIONS

When using this product, the following safety measures must be observed:

1. Do not share the same power socket with other high-power appliances; Or excessive use of wire carriage to avoid fire and danger caused by excessive power load; Make sure this product is connected to the socket with grounding wire.
2. During installation, check whether the power cord is dry or whether the back of the machine is in contact with objects with sharp edges. In addition, high temperature may damage the power cord.
3. To avoid danger, do not install a timing switch or an independent remote control system to operate this product.
4. Do not touch, insert or unplug the plug when your hands are wet, otherwise it may pose a risk of electric shock.
5. Do not immerse the product, power cord or plug in water; Or splashed by water to avoid electric shock or fire.
6. Do not use incomplete or loose sockets. Before use, make sure that the plug has been fully wiped and plugged in.
7. After use, the plug should be pulled out of the socket to avoid leakage due to aging of the insulator.

OPERATION INSTRUCTIONS

1. To avoid danger, the product is only suitable for the purpose indicated in this manual. Do not use this product or any part for other purposes. If it is operated incorrectly, it may cause injury.
2. When the furnace door is opened, do not drag the unit on the furnace door. There should be no objects on the furnace door.
3. Do not put inflammable materials around the product or in the furnace chamber to avoid causing fire.
4. Using accessories that are not recommended or sold by the manufacturer may cause danger.
5. When baking food that will release grease or sauce (such as raw meat, fish, fried food, etc.). Wrap the food with tin foil and put it on the baking tray to avoid fire caused by food grease or sauce splashing on the heating pipe.
6. Make sure that the tin foil and baking paper do not touch the heating pipe to avoid fire. Note that tin foil and oven paper may catch fire due to cooking time and environment; Do not let the product operate unattended.
7. Do not cook with alcohol, otherwise the food may overheat and explode.

MAINTENANCE

1. Do not modify the product without authorization or use the original parts provided by non manufacturers for repair, otherwise it may cause danger and the maintenance will be invalid.
2. Always check the products, power lines and plugs. In case of damage, in order to avoid danger, stop using them immediately, and contact the after-sales service center to arrange inspection and maintenance.

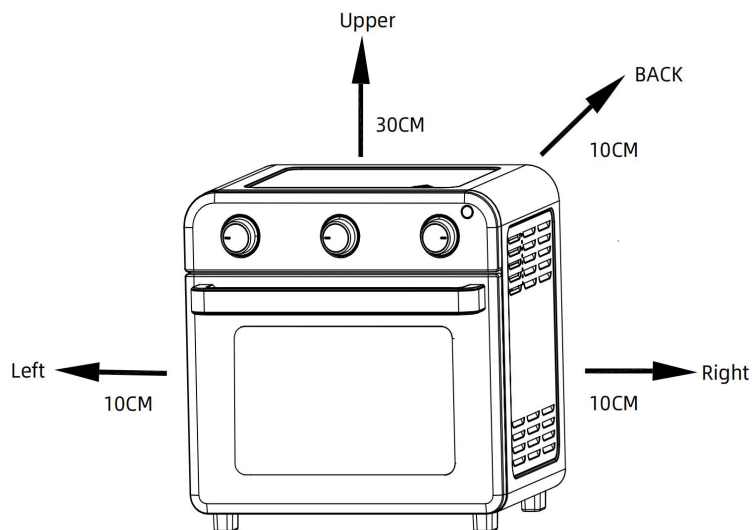
OPERATING ENVIRONMENT

1. Do not use the product in the following environments:
 - humid or close to water environment;
 - directly exposed to the sun or close to the heat source or high-temperature environment, such as near the gas stove;
 - on an unstable surface;
 - near inflammable materials or heat-resistant materials (such as tablecloths, curtains and towels).
2. Do not let children use, clean, repair and maintain this product alone without supervision and guidance. Put this product and its power cord out of the reach of children. Touchable parts may become hot during use. Young children should stay away.
3. This product can only be used by individuals or families, and is not suitable for commercial purposes.

PRECAUTIONS FOR OPERATION AND USE

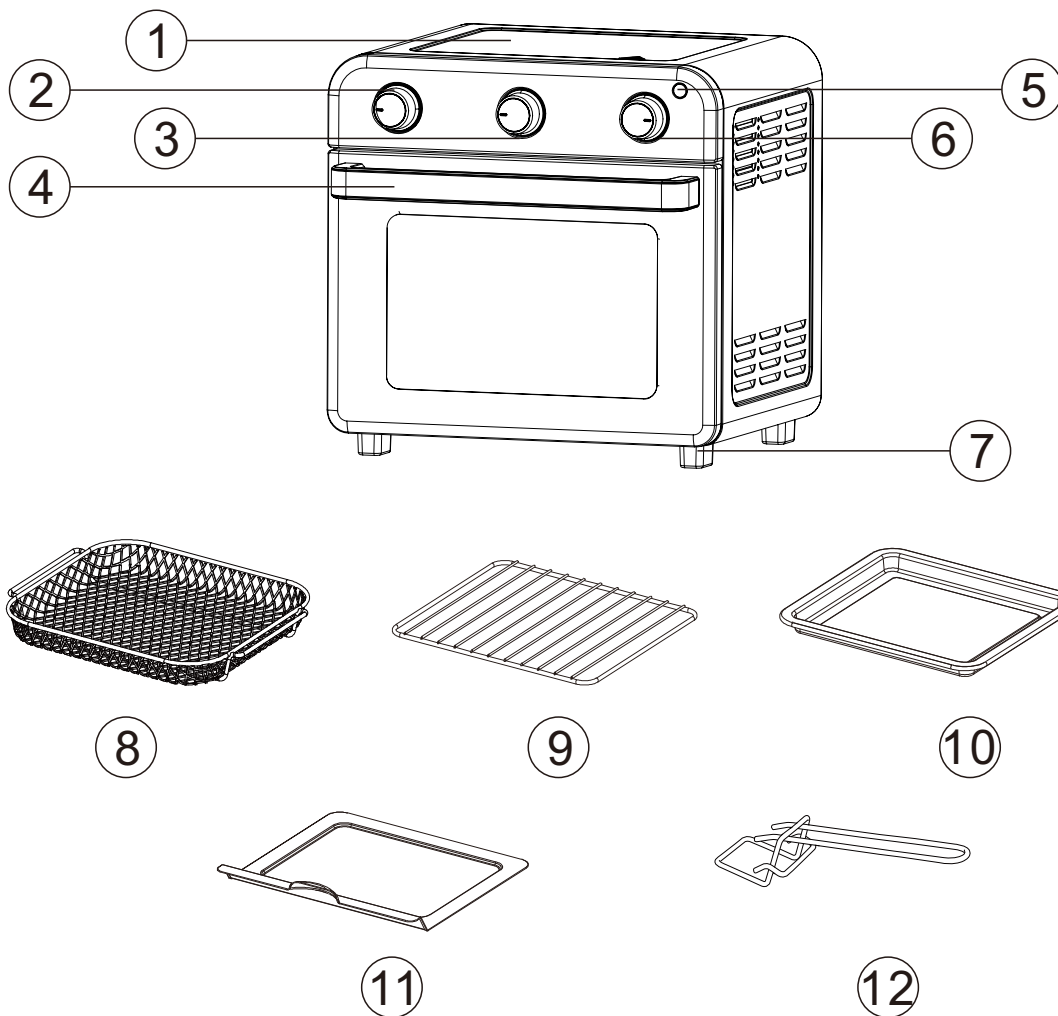
1. Attention: high temperature surface.
2. Take out heated liquid food such as soup with great care.
3. Do not use the furnace chamber for storage.
4. During use, the product will become hot. Avoid contacting the furnace cavity.
5. Be careful when opening the furnace door. Avoid damage to the furnace door glass or door handle.
6. Do not bake bread coated with excessive butter or jam or coat the baking pan with too much oil, otherwise it will cause smoke or fire.
7. Food must be placed in a suitable container, and food cannot be cooked directly in the furnace cavity.

8. After heating, the bottle and baby food should be stirred or shaken, and the temperature should be checked before eating to avoid scalding.
9. When stirring, overturning food during cooking or taking food after cooking, the temperature of utensils and food is very high, so it is necessary to use insulated gloves or pan clip. Avoid scalding.
10. To avoid glass cracking and danger, do not put objects or removed heating containers on the open glass door.
11. When heating liquid food, liquid food should not be higher than 80% of the container. Because a small amount of liquid food is heated, the liquid food suddenly splashes due to boiling.
12. Do not use ordinary thermometer, but use meat thermometer to check cooking results. If the cooking is insufficient, put it into the oven to continue cooking.
13. Before using vessels of different materials, confirm whether they are resistant to high temperature. When cooking with plastic or paper packaging, pay attention to observation to avoid fire.
14. If smoke or fire occurs to the product, keep the furnace door tightly closed to avoid increasing the fire due to air. In case of safety, immediately unplug the power plug or turn off the main power switch in the house. Do not use water to extinguish the fire, lest the glass door burst.
15. When in use or just after use, the temperature of furnace door, shell, exhaust port, furnace cavity and other parts will be very high. Avoid contacting the hot parts and use insulated gloves to avoid scalding.
16. Cooking recipes are for cooking reference only. The factors that affect the cooking time include: the preferred degree of raw and cooked food, starting temperature, altitude, portion size, size, food shape and the type of container. If you are familiar with the operation of the product, you can set it by yourself.



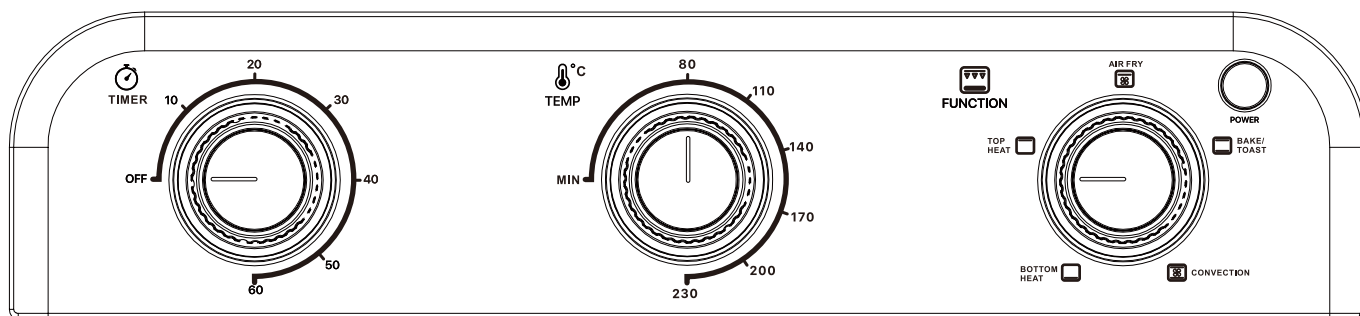
17. If the product needs to be placed in the wall cabinet or cabinet, it must be placed horizontally, with a space of 30 cm above, and a space of 10 cm on the side and back of the machine.
18. Do not use anything (especially metal objects, thermal insulation or flammable materials) to cover the product surface or exhaust port, so as to avoid product failure due to overheating.
19. Do not remove the furnace foot. It shall be placed in a stable position.
20. Do not use this product if the indoor humidity is too high. Do not use it in an environment below 5 .
21. Keep the environment clean to prevent cockroaches and other reptiles from entering the product.
22. Do not put too much pressure on the door and top of the product.
23. If the furnace cavity, furnace door or the sealing edge of the furnace door is damaged or the product operates abnormally, stop using it immediately and contact the after-sales service center Co., Ltd. for inspection and maintenance.
24. Lack of proper cleaning will deteriorate the surface of the product, affect the service life of the finished product and may cause danger.
25. Do not use corrosive detergent to avoid damaging or corroding the product.
26. After use, open the furnace door, cool and blow dry the furnace chamber. After the product is cooled for 30 minutes, unplug the power cord before moving, checking or cleaning the product.
27. Do not wipe the glass with a cold wet cloth during the operation of the product to prevent the glass from cracking.
28. Do not use rough abrasive cleaner or sharp metal scraper to clean the furnace door glass, otherwise it will scratch the furnace door surface and may cause the furnace door glass to crack.
29. In the process of using the oven, if there is a "buzz" sound in the cavity, because the motor fan resonates with air during using, this is a normal phenomenon, not a problem of the product. Please feel free to use it.

PRODUCT DESCRIPTIONS



①	Housing	⑦	Oven leg
②	Timer knob	⑧	Basket
③	Temperature knob	⑨	Grill rack
④	Handle	⑩	Bake tray
⑤	Power indicator	⑪	Crumb tray
⑥	Function knob	⑫	Tray handle

FUNCTION DESCRIPTION



OPERATING	INSTRUCTION
Temp Setting	The temperature is about 0-230°C adjustable. For different food Settings, please refer to the Food Baking Reference Table or personal preference, and adjust the thermostat knob to the ideal temperature in a clockwise direction.
Time Setting	The time can be adjusted from 0 to 60 minutes, and the knob will work until it is turned to "Off". Different food Settings according to the actual situation, set the timer knob clockwise to the appropriate baking time.
Function Setting	Five functions of AIR FRYER/BAKE -TOAST/CONVECTION/ TOP HEAT/ BOTTOM HEAT can be selected.

FOOD BAKING REFERENCE TABLE

Food	Qty	Temp(°C)	Timer(min)	Function	Accessories
Bread	4 slices	230	around 6	Toast	Rack
Beef	400 g	230	around 20	Air fryer	Basket
Chicken Wings	8 pieces	230	around 20	Air fryer	Basket
Fries	300 g	230	around 16	Air fryer	Basket
Cake	8-inch	170	around 25	Convection	Rack
Cookies	6 pieces	170	around 15	Bake	Bake tray
Pizza	8-inch	230	around 15	Top heat	Bake tray

OPERATION INSTRUCTION

1. Ensure the crumb tray is inserted on floor of the cooking chamber and plug in unit.
2. Place the food on the Air Fry Basket/Cooking Pan/Wire Rack and place it on the corresponding rack position. If cooking with Air Fry Basket or Wire Rack. remember to place the bake tray in bottom position in the oven to increase air circulation for better crispness and also as a drip tray.
3. Slide the pan/basket/rack into the oven.
4. Select the function and setting the backing temperature on knobs.
5. Setting baking time of timer knobs.
6. Cooking unit the time end, the unit will beep and the oven will turn off.
7. Carefully remove the food from oven and enjoy your meal.

Remarks:

1. Keep the inner lamp on when baking.
2. It is normal for the glass to appear steam at the beginning of baking, and the steam will disappear after baking for about 10min.
3. When AIR FRYER and CONVECTION are used, the oven may emit vibration resonance sounds by the rotation of the fan, which is a normal phenomenon, and no safety risks will be caused

CLEANING AND STORAGE

1. The power plug must be unplugged in standby mode before cleaning.
2. Keep the furnace cavity clean. After each use, the furnace chamber must be cleaned with warm water. If the spilled food residue or liquid remains in the furnace cavity, wipe it with a wet cloth first, and then wipe it dry. If the furnace chamber is very dirty, wipe it with a soft cotton cloth dipped with mild detergent and wipe it with a Microsoft cloth.
3. After each use, the basket, wire rack, bake tray and crumb tray must be cleaned to avoid oil smoke, fire or corrosion and rust caused by the accumulation of grease or food residue stains.
4. When cleaning accessories, dip a soft cloth or sponge with mild detergent, and then rinse and wipe dry with clean water. Make sure the product, plug and all accessories are wiped dry before use.
5. When cleaning the product surface, furnace door and furnace cavity, wipe it with a slightly wet soft cloth, and then wipe it dry. In order to prevent damage to the internal parts of the product, do not let water penetrate into the exhaust port.
6. If there is oil stain in the furnace or around the furnace door, wipe it with a soft cloth. This phenomenon may occur when this product is used under high humidity, but it does not mean that the product function is abnormal.
7. Do not use rough sanitary ware (such as wire brush), toxic or corrosive detergent for cleaning.
8. Salt is an aggressive substance, which will form rust once accumulated in the furnace cavity. Some acidic sauces, such as tomato juice, mustard and pickled foods, contain chlorine and acid chemicals. These components will affect the surface of chamber. Therefore, it is recommended to clean the oven after each use.
9. There is yellowing in the furnace cavity, because the yellow mark produced by the heating of metal is a normal phenomenon, which neither affects the use nor does harm to human body.

PRODUCT SPECIFICATIONS

Model	GAO18BK
Color	Black
Rated Voltage	230V~50-60Hz
Rated Power	1400W
Net Weight	7.6KG
Capacity	18L
Product Size (H x W x D)	351X355X350mm

安全措施

在使用本產品時，必須遵守以下安全措施：

1. 不要與其他大功率電器共用一個電源插座；或過度使用電線架，以避免電力負荷過大引起火災和危險；確保本產品已連接到有接地線的插座上。
2. 安裝時，檢查電源線是否乾燥，機器背面是否接觸有鋒利邊緣的物體。此外，高溫會損壞電源線。
3. 為避免危險，請勿在操作本產品時安裝定時開關或獨立遙控系統。
4. 不要在手濕的情況下觸摸、插拔電源插頭，否則有觸電危險。
5. 請勿將本產品、電源線或插頭浸入水中；或用水濺，以避免觸電或火災。
6. 不要使用不完整或鬆散的插座。在使用前，請確保插頭已完全擦拭並插入。
7. 使用後應將插頭從插座中拔出，避免因絕緣套老化而漏電。

操作指引

1. 為避免危險，本產品僅適用於本手冊中說明的用途。請勿將本產品或任何部件用於其他目的。操作不當，可能會造成人身傷害。
2. 爐門打開時，請勿將容器拖在爐門上。爐門內不應有任何物體。
3. 請勿在產品周圍或爐腔內放置易燃物，以免引起火災。使用製造商未推薦或銷售的配可能會導致危險。
4. 烘烤會放出油脂或醬汁的食物時(如生肉、魚、油炸食品等)。將食物用錫紙包好放在烤盤上，避免食物油脂或醬汁濺到加熱管上引起火災。
5. 確保錫紙和油紙不要接觸加熱管，以免引起火災。注意，錫紙和油紙可能會因烹飪時間和環境而著火；請勿讓產品在無人看管的情況下操作。
6. 不要用酒精烹飪，否則食物可能會過熱而爆炸。

保修指引

1. 切勿擅自改裝產品或使用非生產商提供的原裝零件進行修理，否則可能造成危險及保養將無效。
2. 經常檢查產品、電源線及插頭，如有損壞，為避免危險，應立即停止使用，並聯絡售後服務中心安排檢查及維修。

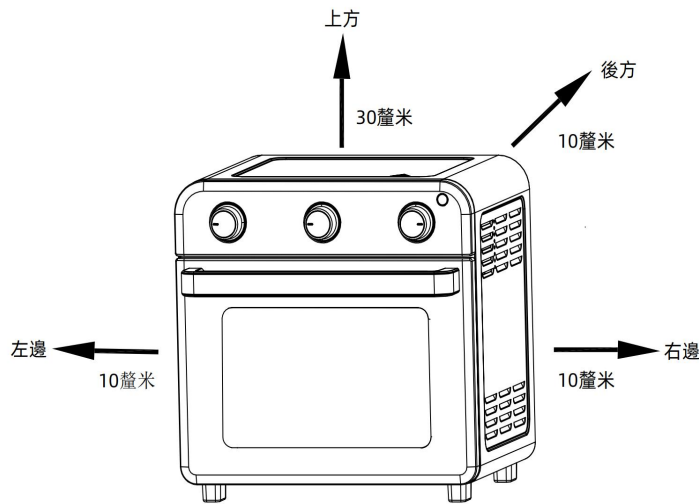
使用環境

- 切勿在以下環境使用產品：
 - 潮濕或接近水的環境；
 - 被陽光直接照射或靠近熱源或高溫環境如煤氣爐附近；
 - 在不平穩的表面上；
 - 易燃物料或不耐熱物品附近（如枱布、窗簾及毛巾等）。
- 切勿讓小孩在沒有監督指導下單獨使用、清潔及維修保養本產品。將本產品及其電源線放於小孩不能接觸的地方。可觸摸部件在使用過程中可能會變熱。幼兒應該遠離。
- 此產品只可供個人或家庭使用，不適合商業用途。

操作和使用注意事項

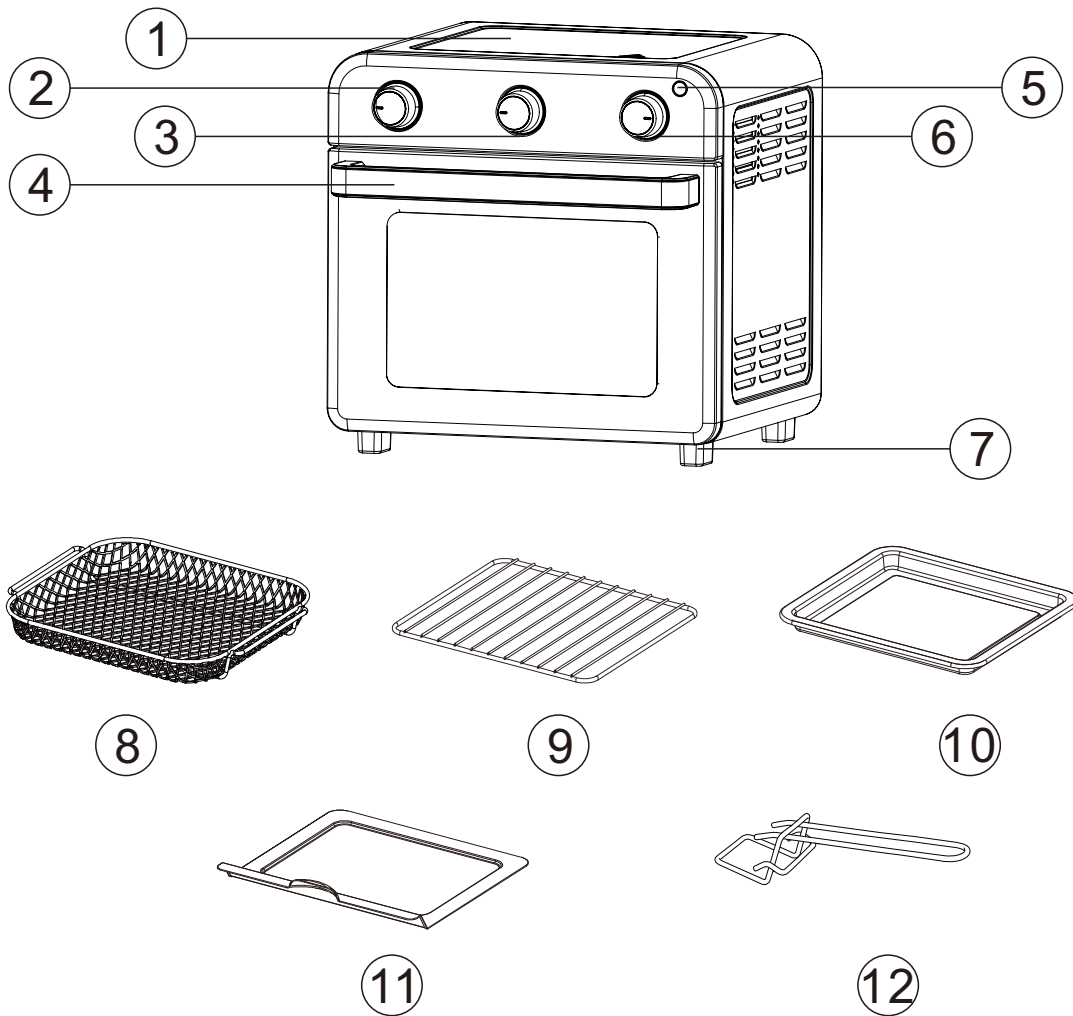
- 注意事項: 高溫表面。
- 小心地取出加熱過的液體食物，如湯。
- 不要使用內腔進行儲存。
- 在使用過程中，產品會變熱。避免接觸內腔。
- 打開爐門時要小心。避免損壞爐門玻璃或門把手。
- 不要在麵包上塗過多的黃油或果醬，也不要再在烤盤上塗太多的油，否則會引起煙或火災
- 食物必須放置在合適的容器中，食物不能直接在內腔中烹飪。
- 加熱後，奶瓶和嬰兒食品應攪拌或搖晃，食用前應檢查溫度，以免燙傷。
- 攪拌、烹飪過程中翻轉食物或烹飪後取食物時，器具和食物的溫度很高，因此需要使用絕緣手套或烤盤夾。避免燙傷。
- 請勿在打開的玻璃門上放置物體或移開的加熱容器，以免玻璃破裂或發生危險
- 加熱液體食品時，液體食品不應高於容器的80%。因為少量的液體食物被加熱，液體食物因沸騰而突然飛濺。
- 不要使用普通溫度計，而是使用肉類溫度計檢查烹飪結果。如果煮得不夠熟，可以放入焗爐繼續煮。
- 在使用不同材質的容器之前，請確認它們是否耐高溫。用塑膠或紙包裝烹飪時，注意觀察，避免起火。
- 如果產品發生煙霧或火災，請保持爐門緊閉，以避免因空氣而增加火勢。為安全起見請立即拔下電源插頭或關閉室內總電源開關。嚴禁用水滅火，以免玻璃門破裂。
- 在使用時或剛使用後，爐門、外殼、排氣口、內腔等部位的溫度會很高。避免接觸高溫部件，並使用絕緣手套，以免燙傷。

16. 烹飪食譜僅供烹飪參考。影響烹飪時間的因素包括:生熟食物的首選程度、起始溫度、海拔高度、份量、大小、食物形狀和容器類型。如果您熟悉產品的操作，可以自行設置。
17. 如果產品需要放置在壁櫃或櫃中，必須安全放置，上面有30釐米的空間，機器側面和背面有10釐米的空間。



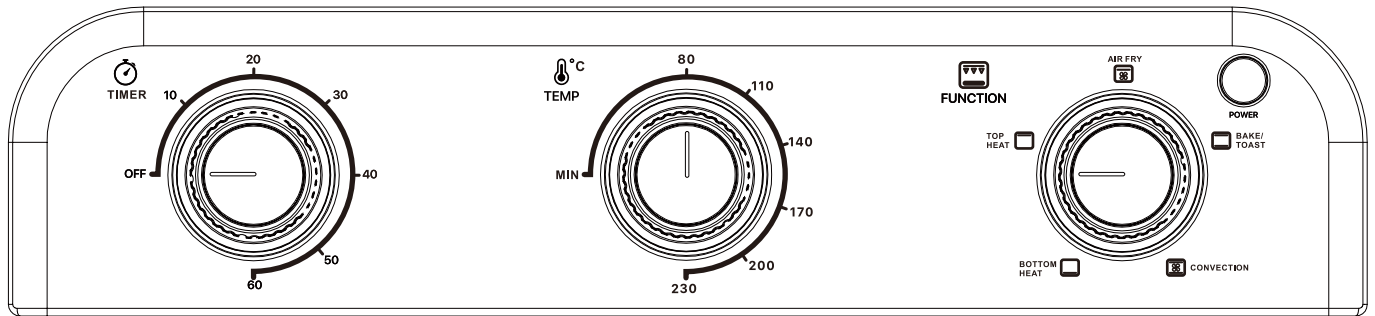
18. 請勿使用任何物品(特別是金屬物體、隔熱材料或易燃材料)覆蓋產品表面或排氣口，以免因過熱導致產品故障。
19. 不要拆卸爐腳。應放置在一個穩定的位置上使用。
20. 室內濕度過高時，請勿使用本產品。不要在5 以下的環境中使用。
21. 保持環境清潔，防止蟑螂等爬行動物進入產品。
22. 不要對產品的門和頂部施加太大的壓力。
23. 如果內腔、爐門或爐門密封邊損壞或產品運行異常，應立即停止使用，並聯系售後服務中心有限公司進行檢查維修。
24. 缺乏適當的清洗會使產品表面變質，影響成品的使用壽命，並可能造成危險。
25. 請勿使用腐蝕性洗滌劑，以免損壞或腐蝕產品。
26. 使用後，打開爐門，冷卻並吹幹內腔。待產品冷卻30分鐘後，請拔下電源線，方可移動、檢查或清洗產品。
27. 請勿在產品操作過程中用冷濕布擦拭玻璃，防止玻璃破裂。
28. 不要使用粗糙的研磨清潔劑或鋒利的金屬刮刀清潔爐門玻璃，否則會劃傷爐門表面，可能導致爐門玻璃開裂。
29. 在焗爐使用過程中，如果腔內有“嗡嗡”的聲音，是因為電機風扇在使用過程中與空氣共振，這是正常現象，不是產品的問題，請放心使用。

產品說明



①	外殼	⑦	腳墊
②	時間旋鈕	⑧	炸籃
③	溫控旋鈕	⑨	烤架
④	把手	⑩	烤盤
⑤	電源指示燈	⑪	屑盤
⑥	功能旋鈕	⑫	烤盤夾

功能說明



操作	指引
溫度	溫度約 0-230°C可調，不同的食物設置，可參考食物烘焙參考表或個人喜好，順時針方向調節溫控器旋鈕至理想溫度
時間	時間可調節0-60分鐘，旋鈕功能至“OFF”。不同的食物設置根據實際情況，將定時旋鈕順時針設置到合適烘烤時間。
功能	共五個功能可選 氣炸/烤焗/熱風對流/頂熱/底熱

食物烘焙參考表

食物	數量	溫度(°C)	時間(min)	功能	配件
麵包	4片	230	6 左右	烤焗	烤架
牛扒	400 克	230	20 左右	氣炸	炸籃
雞翼	8 只	230	20 左右	氣炸	炸籃
薯條	300 克	230	16 左右	氣炸	炸籃
蛋糕	8 英寸	170	25 左右	熱風對流	烤架
曲奇餅	6 塊	170	15 左右	烤焗	烤盤
薄餅	8 英寸	230	15 左右	頂熱	烤盤

操作說明

1. 確保麵包屑託盤放入焗爐底部上，並將設備通電。
2. 將食物放置在炸籃/烤盤/烤架上，並將其放置在相應的架位上。如果用烤架或炸籃烹飪，記得把烤盤放在焗爐的底部位置，以增加空氣流通，食物更脆，也作為滴水盤。
3. 把烤盤/炸籃/烤架放進焗爐。
4. 選擇功能，順時針轉動旋鈕設置烘烤溫度。
5. 根據需求設置烘烤時間。
6. 烹飪時間結束後，設備會發出嘟嘟聲，焗爐會自動關閉。
7. 小心地把食物從焗爐裏拿出來，開始享用吧。

備註：

1. 烘烤時，內膽燈一直保持亮著。
2. 玻璃在烘烤開始時出現蒸汽是正常的，烘烤10分鐘左右蒸汽就會消失。
3. 使用氣炸和熱氣對流功能時，焗爐可能會因風機轉動發出震動共鳴聲，是屬於正常現象，不會出現安全隱患。

清潔和儲存

1. 必須在待機模式下拔除電源插頭後，才可進行清潔。
2. 保持爐腔清潔。每次使用後，必須用溫水清潔爐腔。如濺出的食物渣或液體殘留在爐腔內，應先以濕布抹淨，再抹乾。如爐腔十分骯髒，可用軟綿布沾上溫和清潔劑擦拭，並用微軟布抹淨。
3. 每次使用後，必須清潔炸籃、烤架、屑盤及烤盤，避免油脂或食物渣漬聚而造成油煙、引起火災或鏽蝕。
4. 清潔配件時，用軟布或海綿沾上溫和清潔劑，再用清水沖洗及擦乾。使用前必須確保產品、插頭及所有配件抹乾。
5. 清潔產品表面、爐門及爐腔時，用微濕軟布抹淨，再抹乾。為防止損壞產品內部零件，不要讓水滲入排氣口。
6. 如有油漬在爐內或爐門周圍，可用軟布擦淨。當本產品在濕度高的情況下使用，可能會產生這種現象，但不代表產品機能不正常。
7. 切勿使用粗糙的潔具（如鋼絲刷）、有毒或含腐蝕性的清潔劑進行清潔。
8. 鹽分是具侵蝕性的物質，一旦積聚在爐腔內，將形成銹漬。一些帶酸性的醬汁，例如茄汁、芥末和醃製食品含有氯和酸的化學成份。而該等成份會對內腔表面造成影響。所以建議每次使用焗爐後，必須進行清潔。
9. 爐腔有變黃現象，因為金屬受熱作用下產生的黃色印記，這屬於正常現象，既不影響使用，也不會對人體產生危害。

產品規格

型號	GAO18BK
顏色	黑色
電壓	230V~50-60Hz
功率	1400瓦
淨重	7.6公斤
容量	18升
產品尺寸(高x寬x深)	351X355X350毫米

請記錄下列產品資料

型號 Model No.:

機身編號 Serial No.:

經銷商名稱 Dealer:

購買日期 Date of Purchase:

單據編號 Invoice No.:

本產品不斷改進中，如功能有所更改，恕不另行通知
如有疑問，請與客戶服務中心聯絡。不便之處，敬請原諒。

The product specifications may be changed without prior notice.
Please contact customer service for details if necessary.

說明書內容以英文版本為準

If there is any inconsistency or ambiguity
between the English version and the Chinese version,
the English version shall prevail.

保養登記
Warranty Registration



於網上登記新產品保養
Register your product online
www.dchtoolbox.com

小電維修服務 - 自攜點
Repair Service - Collection Points



客戶服務中心 DCH ToolBox Customer Service Centre
香港九龍灣啓祥道20號大昌行集團大廈4樓
4/F, DCH Building, 20 Kai Cheung Road, Kowloon Bay, Hong Kong

客戶服務熱線 Customer Service Hotline: (852) 8210 8210
電郵地址 E-mail: 8210service@gilman-group.com
網址 Website: www.gilman-group.com