

FRIGIDAIRE®

INSTRUCTION MANUAL

TRAVEL STEAM IRON



MODEL NO.: FD1151

Read this booklet thoroughly before using and save it for future reference

IMPORTANT SAFEGARDS

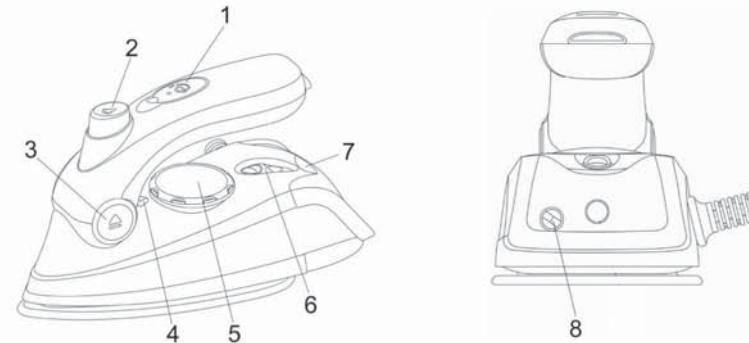
Before using the electrical appliance, the basic precautions should always be followed including the following:

1. Read all instructions.
2. Check the mains voltage stated on the iron, you can use a coin to adjust the voltage selector to the local mains voltage. (Fig1)
It is advisable to always reset the selector to position 220/240 after use. This will prevent damage if the iron is inadvertently connected to the wrong voltage.
3. For Household Use Only. Do not use Outdoors or for Commercial purpose.
4. Unwind and straighten the power cord before use.
5. The iron must be used and rested on a stable surface.
6. Do not let the power cord to touch the soleplate, hang over edge of table OR touch hot surface.
7. Do not operate any appliance with a damaged cord or plug or after the appliance malfunctions, or is dropped or damaged in any manner. Return appliance to the nearest authorized service facility for examination, repair or electrical or mechanical adjustment.
8. If the supply cord is damaged it must be replaced by the manufacturer or a authorized service agent or a qualified technician in order to avoid a hazard.
9. The plug of the supply cord must be removed from socket outlet before the water reservoir is filled with water.
Unplug from outlet when not in use, before filling water OR cleaning.
10. Empty the water tank after use.
11. Travel Irons are not intended for regular use.
12. When placing the iron on its stand,ensure that the surface on which the stand placed is stable.
13. The user must not leave the iron unattended while it is connected to the mains supply outlet.
14. To protect against a risk of electric shock, do not immerse the iron in water or other liquids.
15. Close supervision is necessary for any appliance being used by or near children. Do not leave iron unattended while connected or on a ironing board.
16. Burns can occur from touching hot metal parts, hot water, or steam. Use caution when you turn a steam iron up side down – there may be hot water in the reservoir.
17. Do not operate the iron for other than its intended use.
18. The iron is not to be used if it has been dropped, if there are visible signs of damage or if it is leaking OR performs abnormally.
19. Do not allow children to touch the appliance when ironing.
20. Do not use an extension power cord set unless competent authority has approved it.
21. Do not add perfume, vinegar OR other chemical liquids into the water tank: they can damage the appliance seriously.
22. Do not immerse the appliance in water OR any other liquid.
23. Do not roll the power cord or supply cord around the iron unit or base console for storage until it has cooled down completely.
24. Do not attempt to open the cabinet or dismantle any parts from the appliance. No User Serviceable parts inside.
25. Do not use the iron in your hotel room simultaneously with another high-wattage appliances (e.g: hair dryer) to avoid the fuse to blow.

26. This appliance is not intended for use by persons (including children) with reduced physical, sensory or mental capabilities, or lack of experience and knowledge, unless they have been given supervision or instruction concerning use of the appliances by a person responsible for their safety.
27. Children should be supervised to ensure that they do not play with the appliance.
28. Do not store the appliance immediately after use. Let it cool down first for at least half an hour.
The Iron will cool down quicker if you unplug it and pass the hot soleplate over a wet towel a few times.
29. Save these instructions.

HOUSEHOLD USE ONLY

Know your steam Iron




- | | |
|--------------------------|--------------------------|
| 1. Water inlet cover | 5. Temperature Dial |
| 2. Burst of steam knob | 6. Steam On/Off button |
| 3. Handle release button | 7. Pilot light |
| 4. Temperature Indicator | 8. Voltage Selector knob |

Ironing without ironing board

When traveling, you will often not have an ironing board at hand; in this case spread a doubled terry towel on a firm flat surface.

Ensure that the surface is heat and moisture resistant. Do not use a glass or plastic surface.

How to Fill Water

1. Disconnect the iron from mains supply outlet.
2. Move the Steam On/Off button to  position.
3. Release the Water Inlet Cover.
4. Pour no more than 40ml of water into the filling opening. Use the provided filling cup for this purpose.
5. Replace the water inlet cover




Note:

- a) Steam not comes out, if no water in the water tank. Refill the water as described in how to fill water.
- b) Do not use chemical mixed water or any other liquids.
- c) It is advisable to use distilled water, if the water is very hard



Ironing temperature – general information

1. Always check first if a label with ironing instructions is attached to the article to be ironed. (see Table)

Temperature Control Setting		
		
Acetate Elastane Polyamide Polypropylene	Polyester Silk Triacetate Viscose Wool	Cotton Linen.

Follow these ironing instructions in all cases.

2. If ironing instructions are missing but you know the kind of fabric, then see the table for recommended ironing temperatures.
3. The table is valid for the fiber materials only. If some kind of finish has been applied (gloss, wrinkle, relief etc.), the textile can best be ironed at a lower temperature.
4. First sort out the fabrics according to ironing temperature: wool with wool, cotton with cotton, etc.
5. The iron heats up quicker than it cools down. Therefore, start ironing the articles requiring the lowest temperature such as those made of synthetic fibers. Then progress to the higher temperatures. Finish by ironing cotton and linen.
6. If the article is made of a mixture of different fibers, you must always select the lowest ironing temperature of the composition of those fibers. (e.g. an article consisting of “60% polyester and 40% cotton” should be ironed at the temperature indicated for polyester(●).
7. If you do not know what kind(s) of fabric(s) the article has been made of, find a spot which will be invisible when wearing or using the article to try out the ironing temperature. (always start at a low temperature and increase to one which gives the required results.)
8. Velvet and other textures which rapidly acquire shiny spots should be ironed in one direction only (with the nap), applying only light pressure. Always keeps the iron moving.
9. Iron the reverse side of synthetic materials and silk to prevent shining spots.

Setting the temperature

1. If the iron handle is in down position, raise the handle to upper position the handle will lock with a locking sound.
2. Connect the iron to a suitable mains supply outlet.
3. Turn the Temperature Dial in clockwise direction; select ‘●’ (1 dot), ‘●●’ (2 dots) or ‘●●●’ (3 dots) according to the recommendation of garment label.
4. Pilot light glows indicating the iron is switched on.
5. Place the iron on its back.
6. Pilot light goes off when the required temperature is reached.
7. The iron is ready for use.
8. Switch off the iron by turning the Temperature Dial in anti-clockwise direction to ‘Min’ position.
9. Disconnect the iron from mains supply outlet.
10. Place the iron on its back.
11. When the iron gets cool completely, Press the handle release button handle will come down.
12. Store the iron in a safe place.

Note:

When the iron is not in use, even for a short period of time. Turn the Temperature Dial to ‘Min’ position.

Dry / Steam ironing

1. If the iron handle is in down position, raise the handle to upper position the handle will lock with a locking sound.
2. Fill the iron as described in the section of how to fill water.
3. Connect the iron to a suitable mains supply outlet.
4. Turn the temperature dial in clockwise direction to ‘●●●’ (3 dots) setting. (do not use 1 dot Or 2 dots setting for steam ironing)
5. Pilot light glows indicating the iron is switched on.
6. Place the iron on its back.
7. Pilot light goes off when the required temperature is reached.
8. The iron is ready for use.
9. Move the steam knob to ☞ position for steam ironing, Move the steam knob to ☒ position for dry ironing.
10. Switch off the iron by turning the Temperature Dial in anti-clockwise direction to ‘Min’ position
11. Disconnect the iron from mains supply outlet.
12. Remove the remaining water as described in the “Emptying and storing”.
13. Place the iron on its back.
14. When the iron gets cool completely, Press the handle release button handle will come down.
15. Store the iron in a safe place.



Burst of steam

This function provides extra amount of steam to remove stubborn wrinkles.

1. If the iron handle is in down position, raise the handle to upper position the handle will lock with a locking sound.
2. Fill the iron as described in the section of how to fill water.
3. Connect the iron to a suitable mains supply outlet.
4. Turn the temperature dial in clockwise direction to ‘●●●’ (3 dots) setting. (do not use 1 dot Or 2 dots setting for steam ironing)
5. Pilot light glows indicating the iron is switched on.
6. Place the iron on its back.
7. Pilot light goes off when the required temperature is reached.
8. The iron is now ready to use.
9. Press the Burst Of Steam Button.
10. Steam will shoot from the holes of the soleplate into the fabric being ironed and removing the wrinkles.
11. For stubborn wrinkles, wait a few seconds before pressing the Burst of Steam Button again. Most wrinkles can be removed within three presses.
12. Switch off the iron by turning the Temperature Dial in anti-clockwise direction to ‘Min’ position
13. Disconnect the iron from mains supply outlet.
14. Remove the remaining water as described in the “Emptying and storing”.
15. Place the iron on its back.
16. When the iron gets cool completely, Press the handle release button handle will come down.
17. Store the iron in a safe place.



Note:

To maintain the appropriate temperature and thus good quality steam, allow an interval of 2-3 seconds after each shot of steam.

BURST OF STEAM IN VERTICAL POSITION

Warning:

Do not apply steam on any clothes or fabrics that are being worn by human or pets. Temperature of steam is very high.

This function provides extra amount of steam to remove wrinkles on delicate garments in hanging position, hanging curtains, or other hanging fabrics.

1. If the iron handle is in down position, raise the handle to upper position the handle will lock with a locking sound.
2. Fill the iron as described in the section of how to fill water.
3. Connect the iron to a suitable mains supply outlet.
4. Turn the temperature dial in clockwise direction to '●●●'(3 dots) setting. (do not use 1 dot Or 2 dots setting for steam ironing)
5. Pilot light glows indicating the iron is switched on.
6. Place the iron on its back.
7. Pilot light goes off when the required temperature is reached.
8. The iron is now ready to use.
9. Hold the iron between 15 and 30 centimeters away from the garment.
10. Press the Burst of Steam Button.
11. Steam will penetrate into the garment removing the wrinkles.
12. For Stubborn wrinkles, wait a few seconds before pressing the Burst of Steam Button again. Most wrinkles can be removed within three presses.
13. Switch off the iron by turning the Temperature Dial in anti-clockwise direction to 'Min' position
14. Disconnect the iron from mains supply outlet.
15. Remove the remaining water as described in the "Emptying and storing".
16. Place the iron on its back.
17. When the iron gets cool completely, Press the handle release button handle will come down.
18. Store the iron in a safe place

Note:

- a. It may be necessary to press the burst of steam button a few times to start this function. For optimum steam quality, do not operate the Burst Of Steam more than three times after the pilot run goes off.
- b. It is not recommended that vertical press is used on synthetic fibers.
- c. Always keep a distance between the iron and the material to avoid burning.
- d. As the produced steam is always very hot, never press clothes when being worn by somebody. Always use clothes on a hanger.

Emptying and storing

1. Set the temperature dial to position MIN.
2. Disconnect the iron from the mains supply outlet.
3. Remove the filling inlet cover.
4. Hold the iron upside down and gently shake it to remove the remaining water.
5. Place the iron on its back.
6. Let the iron cool down fully.
7. Press the handle release button handle will come down.



CLEANING AND MAINTENANCE

1. Disconnect the iron from the mains supply outlet.
2. Use a damp cloth or non-scratching cleaner to remove any deposits on the sole plate or the cabinets.

Note:

Never use sharp or rough objects to remove the deposits on the sole plate.
Never use any abrasive, vinegar or other chemical agents to clean the iron.

SPECIFICATIONS:

PRODUCT	TRAVEL STEAM IRON
MODEL NO:	FD1151
VOLTAGE	DUAL VOLTAGE: 110 – 120V / 220 – 240V
HERTZ	50/60Hz
WATTS	840-1000W
MADE IN	CHINA

ENVIRONMENT FRIENDLY DISPOSAL



You can help protect the environment!

Please remember to respect the local regulations: hand in the non-working electrical equipments to an appropriate waste disposal center.

CE RoHS ✓

FRIGIDAIRE®

IS A REGISTERED TRADEMARK USED UNDER LICENSE
FROM FRIGIDAIRE INTERNATIONAL COMPANY, U.S.A

10200 David Taylor Drive, Charlotte, NC 28262,
U.S.A.