



CHOICE OF LOCATION AND BUILDING IN

The material of the cabinet supporting the appliance must be heat resistant (or covered with a heat-resistant material).

This appliance may be installed in a cabinet column.

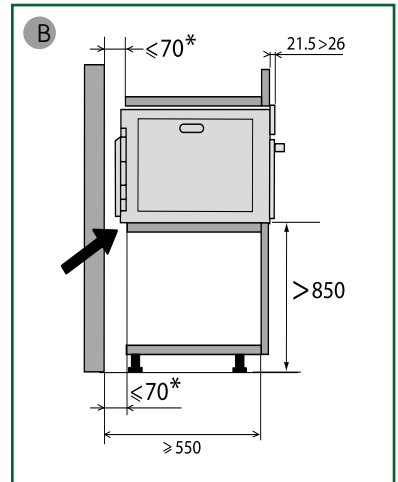
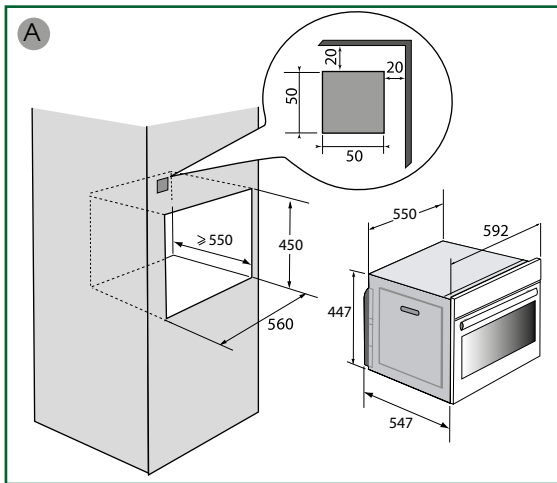
Drill a 2 mm diameter hole in the cabinet panel to avoid splitting the wood.

For greater stability, attach the oven to the unit with 2 screws through the holes provided on the side panels



Tips:

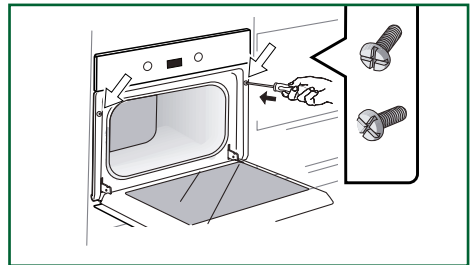
Installation should only be performed by qualified installers and technicians.



Warning

This appliance must be installed more than 850 mm up off the ground. This appliance may be installed in a cabinet column, as indicated on the installation diagram (**fig. A**).

Caution: if the back of the cabinet is open, the space between the wall and the surface on which the oven rests must be no more than 70 mm* (**fig. B**).





ELECTRICAL CONNECTION

The appliance must be recess-fitted correctly to ensure electrical safety. The electrical connections should be made before the appliance is installed in its housing.

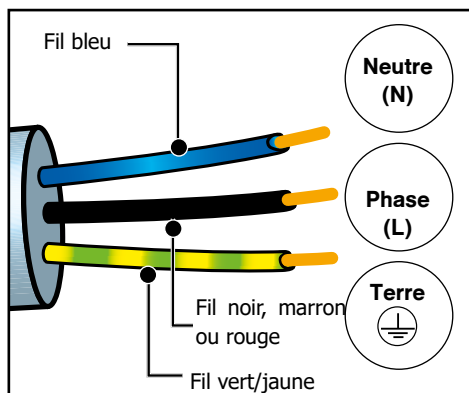
The oven must be connected via a standardised power cable with 3 conductors of 1 mm² (1 live + 1 neutral + earth) which must be connected to the network by means of an IEC 60083 standard power socket or via an all-pole cut-off device in compliance with the installation rules.

Check that:

- the electrical installation has sufficient voltage (220-240 Volts~ 16 Amps).

If the electrical installation in your home requires any changes in order to connect your appliance, contact a professional electrician.

During maintenance operations, the appliance must be unplugged from the electrical grid; fuses must be switched off or removed.



Warning:

The safety wire (green-yellow) is connected to the appliance's  terminal and must be connected to the installation's earth.

If the oven malfunctions in any way, unplug it or remove the fuse for the circuit where the oven is installed.



Warning:

We cannot accept liability for any accident or incident resulting from non-existent, defective or incorrect grounding.