

• ELECTRICAL CONNECTIONS

During installation and maintenance operations, the appliance must be unplugged from the electrical grid; fuses must be cut off or removed.

The electrical connections are made before the appliance is installed in its housing.

Ensure that:

- the electrical installation has sufficient voltage,
- the electrical wires are in good condition,
- the diameter of the wires complies with the installation requirements.



Warning

This appliance is delivered with a H 05 VVF power cord that has three-0.75 mm² conductors (neutral, phase and ground). It must be connected to the main power supply (which should be a 220-240 V single phase current) via a CEI 60083 standardised socket that should remain accessible after installation, in keeping with installation guidelines.

We cannot be held responsible for any accident resulting from an inexistent, defective or incorrect ground lead. The fuse for your installation must be 10 or 16A. If the power cable is damaged, call the after-sales service department in order to avoid danger.



Warning

If the electrical installation at your residence requires any changes in order to hook up your appliance, call upon a professional electrician.



Warning

If the hood displays any malfunctions, unplug the appliance or remove the fuse corresponding to the electrical socket where your appliance is plugged in.

• ASSEMBLING THE HOOD



Warning

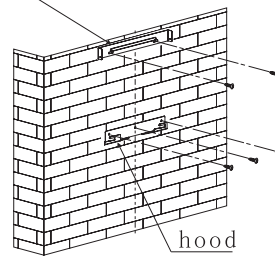
The hood must be installed in compliance with all applicable regulations concerning the ventilation of premises. In France these regulations are described in DTU 61.1 from the CSTB. In particular, the evacuated air should never be conveyed to a duct used to evacuate smoke from appliances that use gas or other combustible fuels. Unused ducts may only be used after approval from a competent specialist.

The minimum distance between the cooking surface and the lowest part of the hood must be 70 cm at least. If the instructions for the hob installed under the hood specify a distance of more than 70 cm, this requirement must be respected.

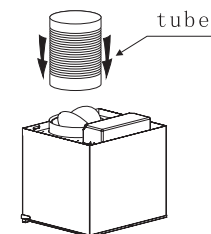
Fixing to the wall:

- Draw a vertical line on the wall centered on the cook top.
- In a suitable position, drill 3 holes and Insert the 3 wall plugs for the hook. Drill 2 holes and insert the 2 wall plugs for the inside chimney bracket (Pic 3)
- Screw the hook to the wall with 3 screws. Screw the inside chimney bracket to the wall with 2 screws. Ensure they are perfectly leveled. (Pic 3)
- Insert the extension tube. (Pic4)
- Hang the motor unit in the hook (Pic 5) and fix the motor unit with 2 safety screws (Pic 6)

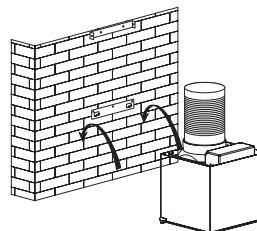
inside chimney bracket



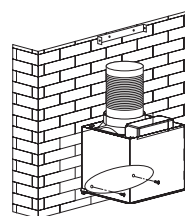
Pic 3



Pic 4



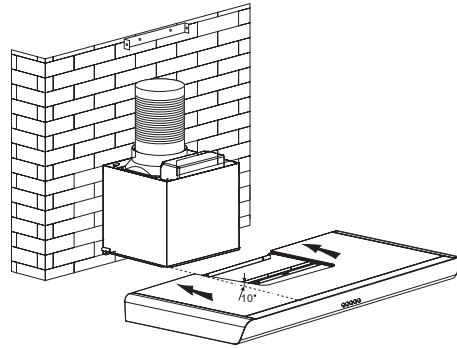
Pic 5



Pic 6

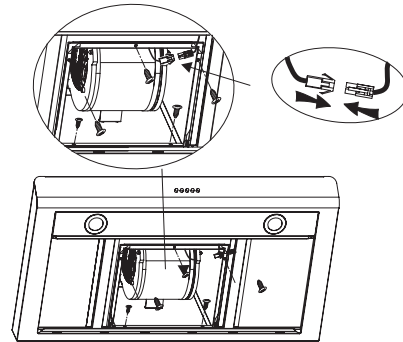
EN 2 / INSTALLING YOUR APPLIANCE

-Lift the hood body and slide it into the motor unit (Pic 7) then fasten it with 5 screws.(Pic 8)



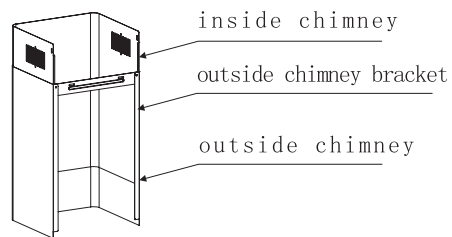
Pic 7

-Remove the Aluminum filters and connect the cable (Pic 8)



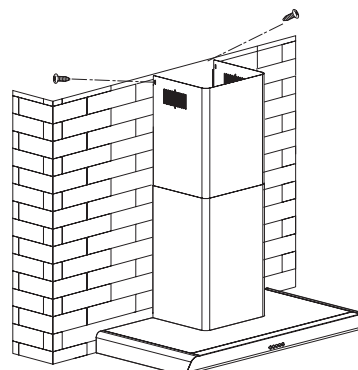
Pic 8

-Fix the outside chimney bracket into the outside chimney, ensuring the inside chimney can move up and down freely. (Pic 9)



Pic 9

- Then put the chimneys onto the hood and fix the inside chimney with the bracket by 2 screws.(Pic 10)

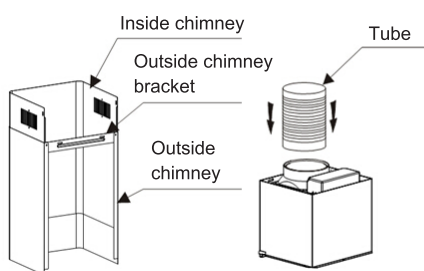


Pic 10

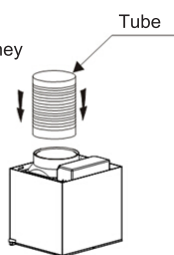
• ASSEMBLING THE VENTILATION SHAFT

• Outdoor evacuation

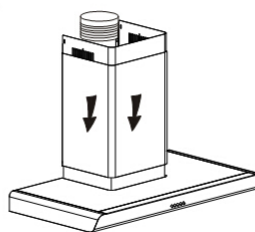
- Calculate the final height for fixing the duct support U-bracket (Pic 3).
- Mark the two holes accordingly
- Drill 8 mm diameter holes and secure the duct support bracket, ensuring that it is fixed on the same axis as the hood (Pic 3).
- Fix the flat bracket behind the lower duct (Pic 11).
- Fix the two ducts to the hood (Pic 12).
- Connect the sleeve to the air outlet to the outside. (Pic 13).
- Make the electrical connection to the hood using the mains supply cable.
- Lift the upper duct up to the ceiling and fix it to the bracket using the screws. (Pic 14).



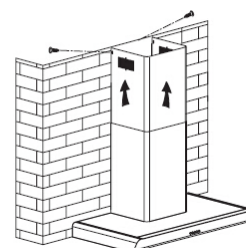
Pic. 11



Pic. 12



Pic. 13

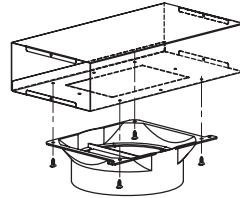


Pic. 14

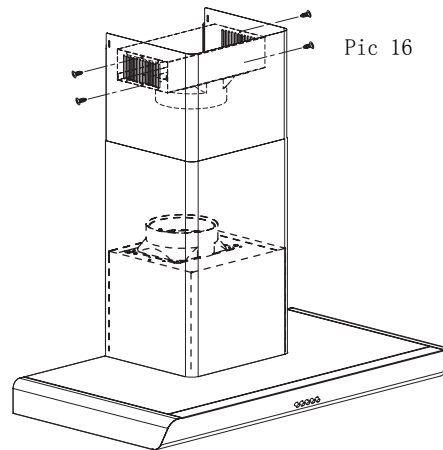
EN 2 / INSTALLING YOUR APPLIANCE

• **Recycling**

- Calculate the final height for fixing the duct support U-bracket (Pic 3).
- Mark the two holes.
- Drill 8 mm diameter holes and secure the duct support bracket, ensuring that it is fixed in the same axis as the hood (Pic 3).
- Fix the flat bracket behind the lower duct (Pic 11).
- Fit the sleeve adapter on the deflector (Pic 15).
- Connect the extendable sleeve to the deflector.
- Fit the two parts of the duct on to the hood (Pic 12).
- Fit the deflector (Pic 15) into the upper duct by the ventilation inlets (Pic 16).
- Make the electrical connection to the hood using the mains supply cable.
- Lift the upper duct up to the ceiling and fix it to the bracket using the two screws. (Pic 14).



Pic 15



Pic 16

Warning: Failure to install the screws or fixing device in accordance with these instructions may result in electrical hazards.



Tip

For optimal use of your appliance, we recommend that you connect the hood to a 150 mm-diameter flue (not delivered with the appliance). Minimise the number of angles and bends and the lengths of the flue. In the event that the hood will be operated using outdoor evacuation, you should ensure a sufficient inflow of fresh air to avoid a pressure deficiency in the room.



Warning

Do not use tools to remove the safety film of hood