

Brandt

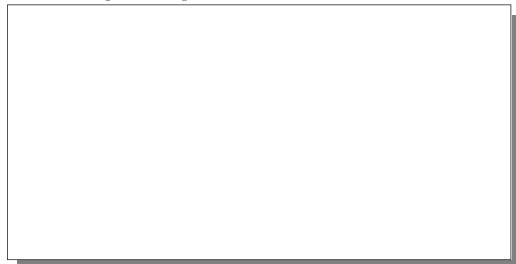
AT1490X

TELESCOPIC HOOD

USER'S MANUAL

**INSTRUCTIONS FOR INSTALLATION
AND USE**

For original parts & reliable service:



To avoid the risk of accidents or damage to the appliance
it is essential to read these instruction
before it is installed or used for the first time.

Table of Contents

- From the Manufacturer 3
- Specifications 3
- SAFETY : Read this first ! 4, 5
- Description of Parts 5, 6
- Instruction for use 6
- Technical Information 7
- Installation 8
- Cleaning & Maintenance 9, 10
- Troubleshooting 11

Troubleshooting

Symptoms	Possible Cause	Action
Does not function	No electrical supply	Check that the plug is connected.
		Check that the main switch is turned on.
Poor airflow	Aluminium filters grease clogged	Clean the filters and replace when it is dry
	Charcoal grease filters clogged	Replace charcoal filters with new sets
Motor running but no airflow	Butterfly valve jammed	Contact technician
Motor cuts after a few minutes	High temperature safety device activated	The kitchen is not sufficiently ventilated
	The hood is installed too near the cooking stove	The hood must be at least 65cm from stove
Strong cooking smell	Charcoal filters not installed	In re-circulating mode, charcoal filters must be installed
Oil dripping onto stove	Aluminium grease filter saturated	Wash the aluminium grease filters
	Aluminium grease filter saturated	Wash the aluminium grease filters
Whirring sound	Foreign object in contact with fan blade	Contact technician

Cleaning & Maintenance (Continued)

Activated charcoal filter

To install the charcoal filter, the motor anchorage is made to coincide with the anchor points of the activated charcoal filter and turn in clockwise.

The carbon filter lasts from three to six months depending on the particular conditions of use.

The activated carbon filter can neither be exhausted, it must be changed.

Changing Bulbs

Remove the filter support to access the bulbs.

Take care to disconnect the mains beforehand and that the bulbs to be replaced are not hot.

The maximum bulbs power is 40W.

From the Manufacturer

- This appliance and its packaging are produced by processes that minimize waste and respect the environment.
- Please help us to continue the protection of the environment by disposing of the packaging in a correct manner.
- **Safety!**
- Please do not allow young children to play with the plastic bag packaging.
- Before disposing of any old appliances, be sure to cut off the power chord so that others will not be endangered by a defective electric appliance.

Specifications

Input	:	220-240V 50Hz
Power	:	400W
Lamps	:	2 x 40W
External Dimensions		
• 90cm version	:	900x280x280mm
Air flow	:	950 m3/hr

SAFETY : Read this First !

- Do not connect the appliance if there are obvious signs of transportation damage.
- Read this user manual thoroughly before attempting to use this appliance.
- Installation and repair should be attempted only by qualified technical personnel.
- It is dangerous to modify any part of this appliance.
- The manufacturer declines all responsibility in case of failure to adopt proper safety measures.
- Ensure the location in which this appliance is installed has good, permanent ventilation.
- The cooker hoods should be placed at a distance of 65-75cm from the cooking surface for best effect. **if the cooktop is gas, 65-75cm is calculated from the top of the pot stand.
- Use an electrical connector with earth that is correct for your location.
- Check that the voltage in your area is correct before plugging in.
- The electrical connection of this appliance must be connected to earth.

Green & yellow	=	EARTH
Blue	=	NEUTRAL
Brown	=	LIVE
- Multiple plugs and extension cables must not be used. Overload is dangerous and may cause a fire.
- Ensure that the power supply chord is free from any heat source or sharp objects.
- The appliance should be switched off and the electrical supply disconnected before any cleaning or maintenance work can be carried out.
- This appliance is not intended for use by persons (including children) with reduced physical, sensory or mental capabilities, or lack of experience and knowledge, unless they have been given supervision or instruction concerning use of the appliance by a person responsible for their safety.
Children should be supervised to ensure that they do not play with the appliance.
- If the supply cord is damaged, it must be replaced by the manufacturer, its service agent or similarly qualified persons in order to avoid a hazard.

Clause 7 (60335-2-31)

There is a fire risk if cleaning is not carried out in according with the instructions.

The hood use four hob element at most.

Cleaning & Maintenance

Before carrying out any cleaning or maintenance activities, ensure that the appliances is disconnected from the mains.

To carry out cleaning and maintenance, follow the safety Instructions.

Filter Cleaning

To withdraw the filters from their locations release the anchoring points. Clean the filter either putting in the dishwasher (refer to notes) or leaving it standing in hot water to simplify the removal of grease or, if wished, by means of special sprays (protecting the non metallic parts). Once clean, leave it to dry.

Notes: cleaning in the dishwasher with aggressive detergents may blacken the surface of metallic parts, without this affecting its gas retaining properties. The filter must be cleaned at least once a month depending on how often the appliances is used. It must be remembered that grease is deposited in the extractor when cooking, whether it is switched on or not.

** before using , please take note to remove the plastic wrapping and fix back the circular charcoal filter after the wrapper has been removed.

Cleaning the appliances body

The use of (40°C approx.) soapy water is recommended. A cloth moistened in this water is used for cleaning the extractor, paying special attention to the grids. Afterwards, dry it using a lint-free cloth.

Note: Never use metallic scouring pads or abrasive products that could damage the surface. Do not use scrapers with metallic surfaces such as knives, scissors etc.

Installation

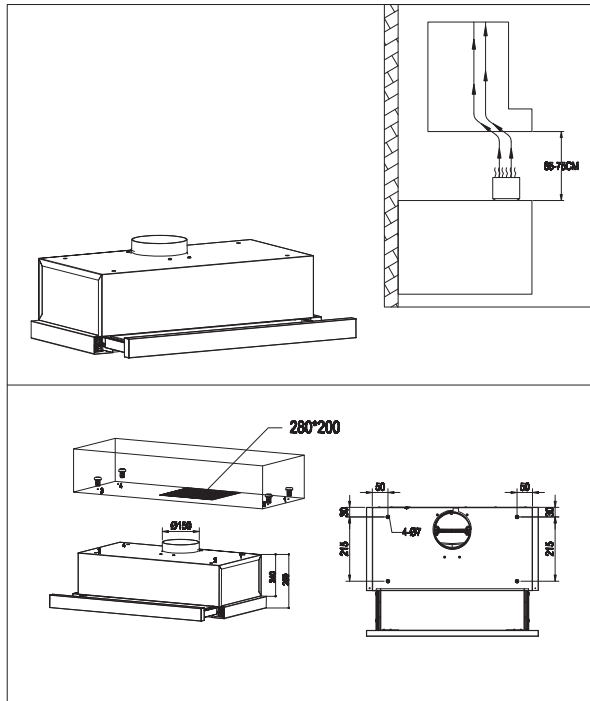
To fix the extractor to the kitchen unit.

The lower part of the extractor must be located at a minimum height of 65cm above the hob for electric cookers and 65-75cm for gas cookers (from the top of the pot stand). If the instructions of a gas cooker indicate a greater distance these must be observed.

When the extractor is working at the same time as other non-electrical cooking equipment, the outlet air pressure must not exceed 4 Pa.

To achieve optimum performance the length of the outlet hose should not exceed 2 meters, or include more than two 90 angles (elbows)

Although venting to the outside is recommended, activated carbon filters may be used, which allow the gas to be returned to the kitchen through the outlet pipe.

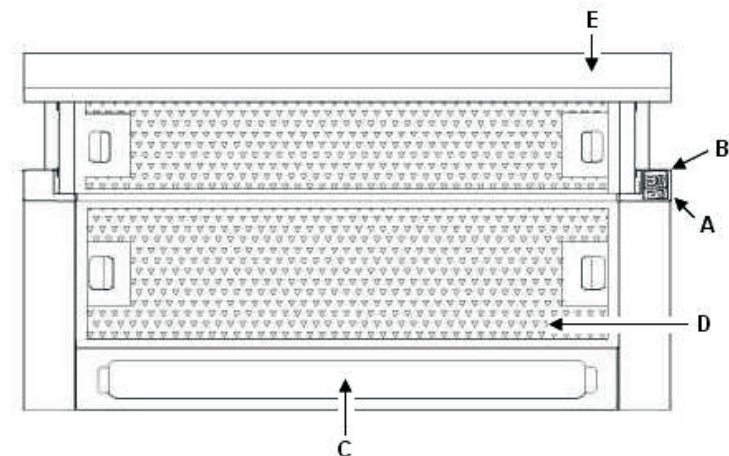


SAFETY : Read this First ! (Continued)

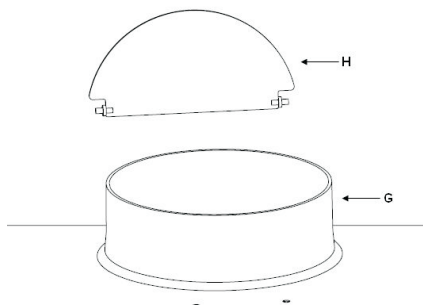
- There shall be adequate ventilation of the room when the range hood is used at the same time as appliances burning gas or other fuels (not applicable to appliances that only discharge the air back into the room);
- There is a fire risk if cleaning is not carried out in accordance with the instructions;
- Do not flambé under the range hood.
- The air must not be discharged into a flue that is used for exhausting fumes from
- Appliances burning gas or other fuels (not applicable to appliances that only discharge the air back into the room);
- Regulations concerning the discharge of air have to be fulfilled.

Description of Parts

- A Motor controls that allow two positions to be selected.
- B Light switch independent of the motors.
- C Lighting by means of lamps.
- D Filters located over cooking area, easily withdrawn for cleaning.
- E Extractable group that allows a greater gas capture area.



F Possibility of incorporating activated charcoal filter.
 G-H Anti return tabs to be located in the outlet mouth, locating ends in the holes provided.

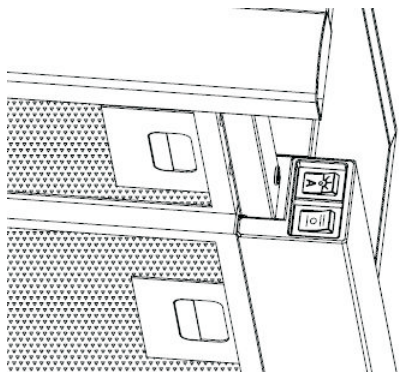



Instructions for use

By pressing the button shown in the below, you will be able to control the functions of the extractor.

To achieve better extraction, we recommend switching on the extractor a few minutes before starting to cook (3—5 minutes) so that the air flow is continuous and stable when extracting fumes.

Likewise, keep the extractor switched on for a few minutes when cooking is complete to allow all fumes and odors to be expelled.



	<u>Speed</u>
I	Low
II	High
	<u>Light</u> ON
0	OFF
A	Automatic

Technical Information

Dimensions	Width	=	900 mm
	Depth	=	280 mm
	Height	=	280 mm

