

Installation

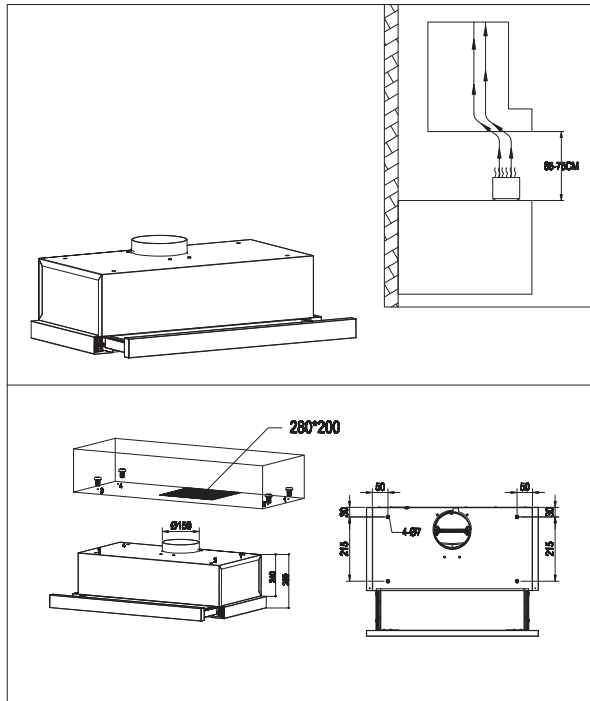
To fix the extractor to the kitchen unit.

The lower part of the extractor must be located at a minimum height of 65cm above the hob for electric cookers and 65-75cm for gas cookers (from the top of the pot stand). If the instructions of a gas cooker indicate a greater distance these must be observed.

When the extractor is working at the same time as other non-electrical cooking equipment, the outlet air pressure must not exceed 4 Pa.

To achieve optimum performance the length of the outlet hose should not exceed 2 meters, or include more than two 90 angles (elbows)

Although venting to the outside is recommended, activated carbon filters may be used, which allow the gas to be returned to the kitchen through the outlet pipe.



SAFETY : Read this First ! (Continued)

- There shall be adequate ventilation of the room when the range hood is used at the same time as appliances burning gas or other fuels (not applicable to appliances that only discharge the air back into the room);
- There is a fire risk if cleaning is not carried out in accordance with the instructions;
- Do not flambé under the range hood.
- The air must not be discharged into a flue that is used for exhausting fumes from
- Appliances burning gas or other fuels (not applicable to appliances that only discharge the air back into the room);
- Regulations concerning the discharge of air have to be fulfilled.

Description of Parts

- A Motor controls that allow two positions to be selected.
- B Light switch independent of the motors.
- C Lighting by means of lamps.
- D Filters located over cooking area, easily withdrawn for cleaning.
- E Extractable group that allows a greater gas capture area.

