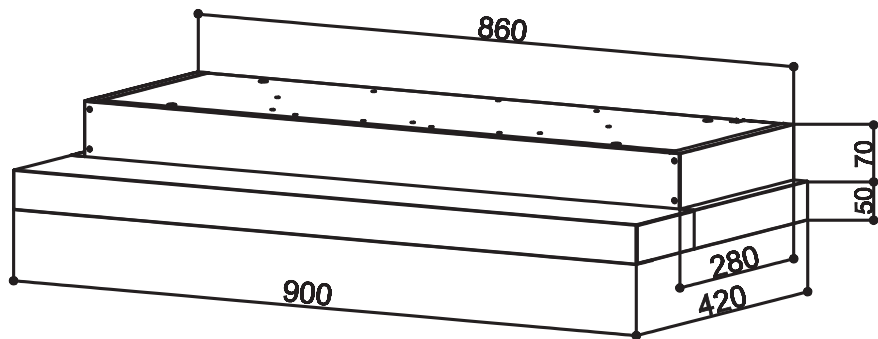
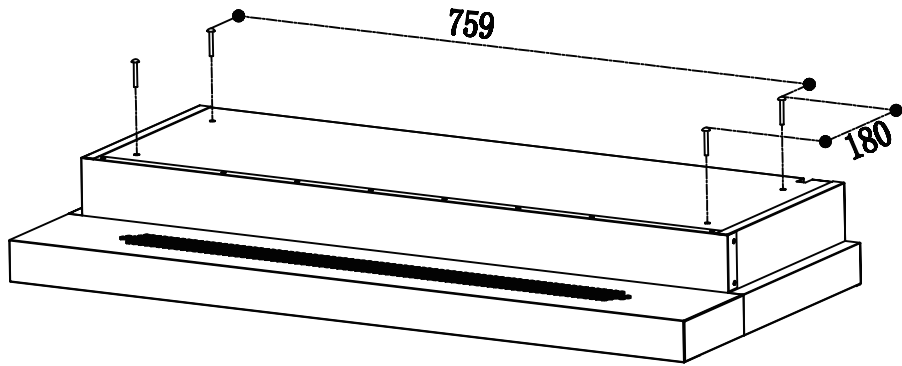
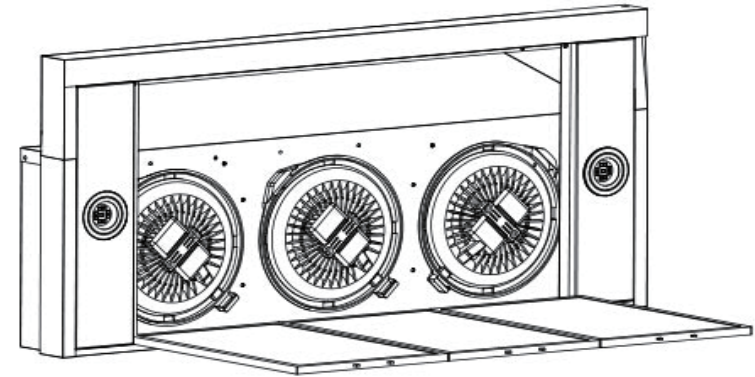


Installation (3)

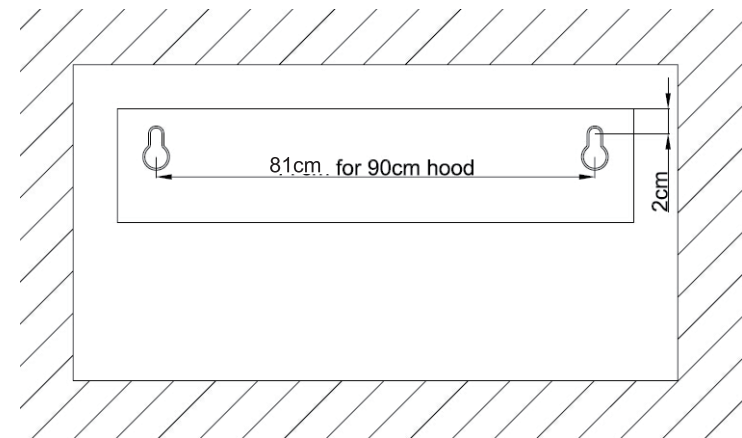


Installation (1)

STEP 1 : Remove the aluminium filters and place them in a safe location to avoid damage.

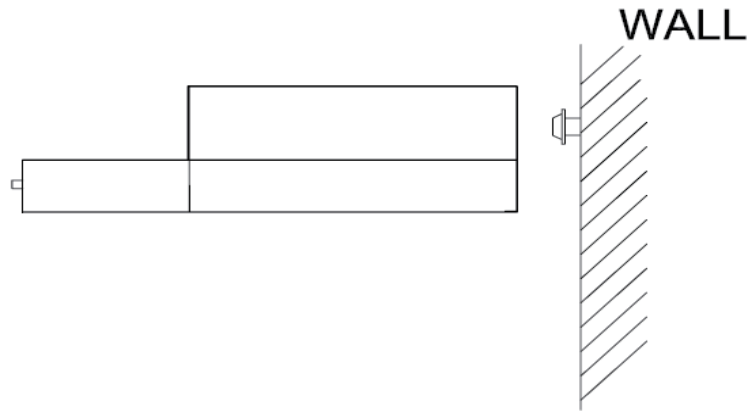


STEP 2 : Install the 2 screws on the wall.



Installation (1)

STEP 3 : Hang the hood on the 2 screws.



STEP 4 : Tighten the 2 screws completely.



Installation (2)

